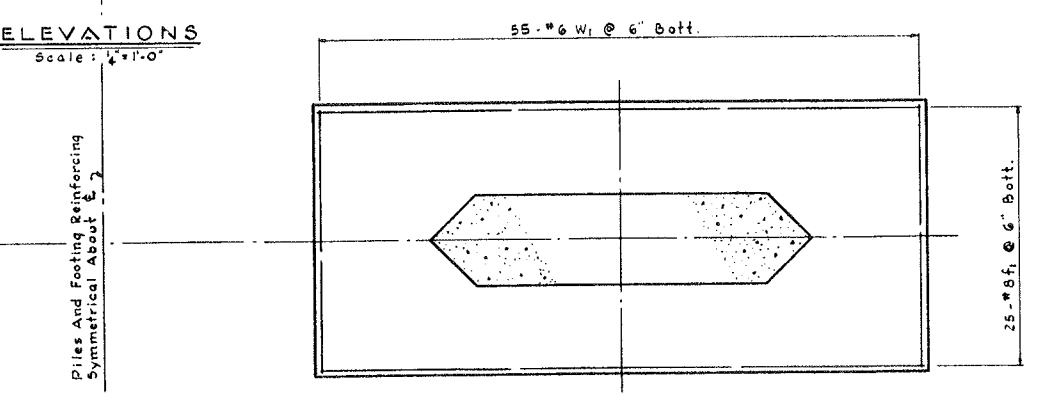
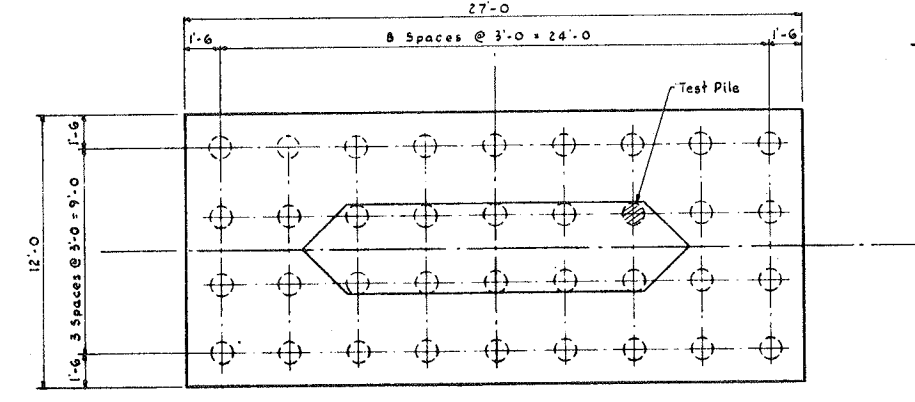
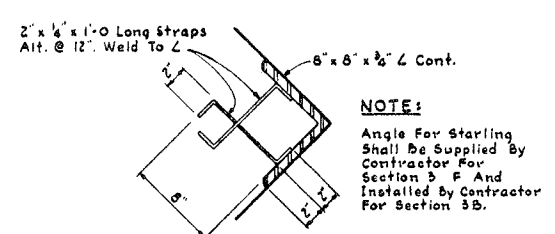
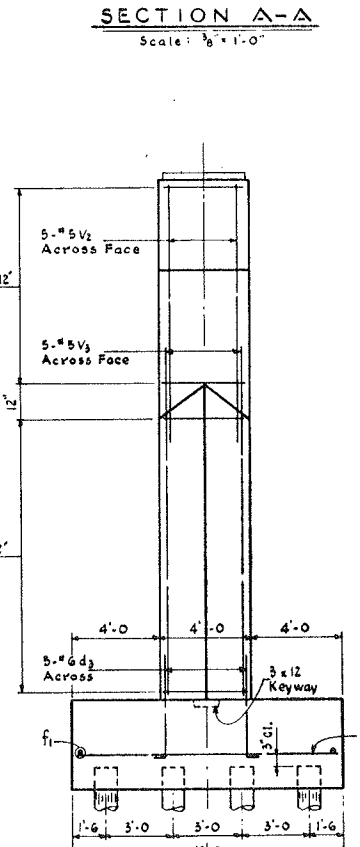
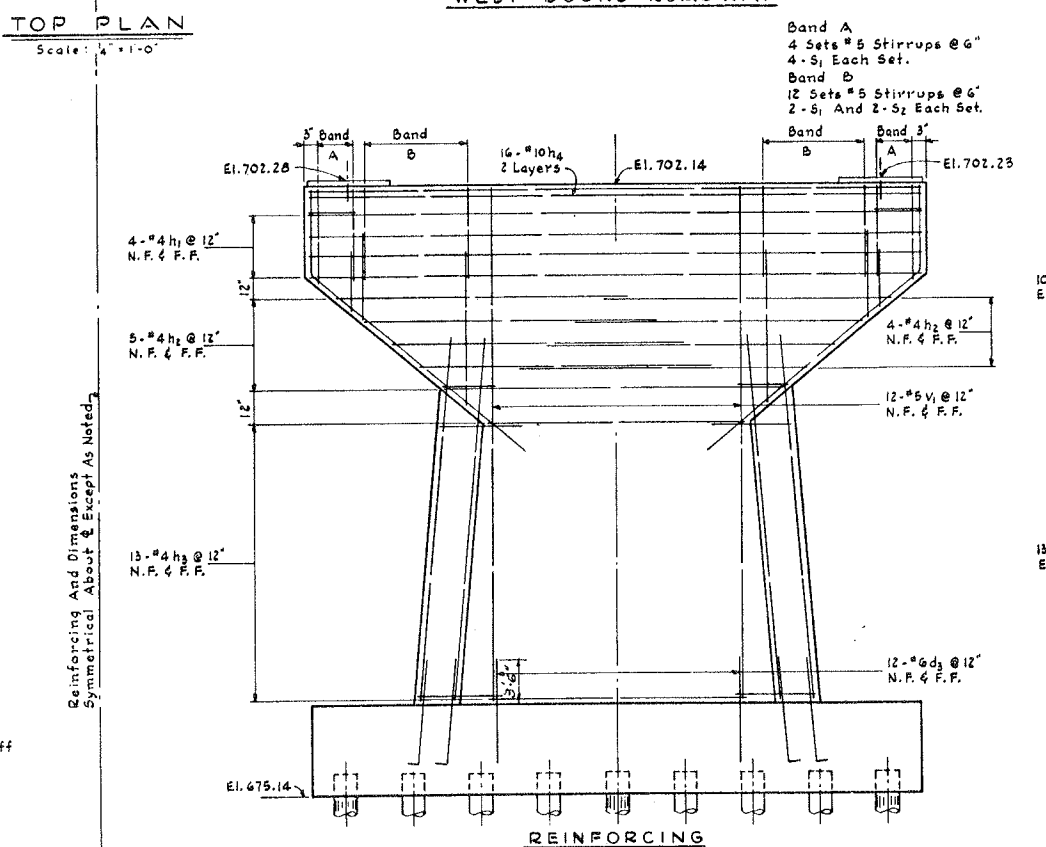
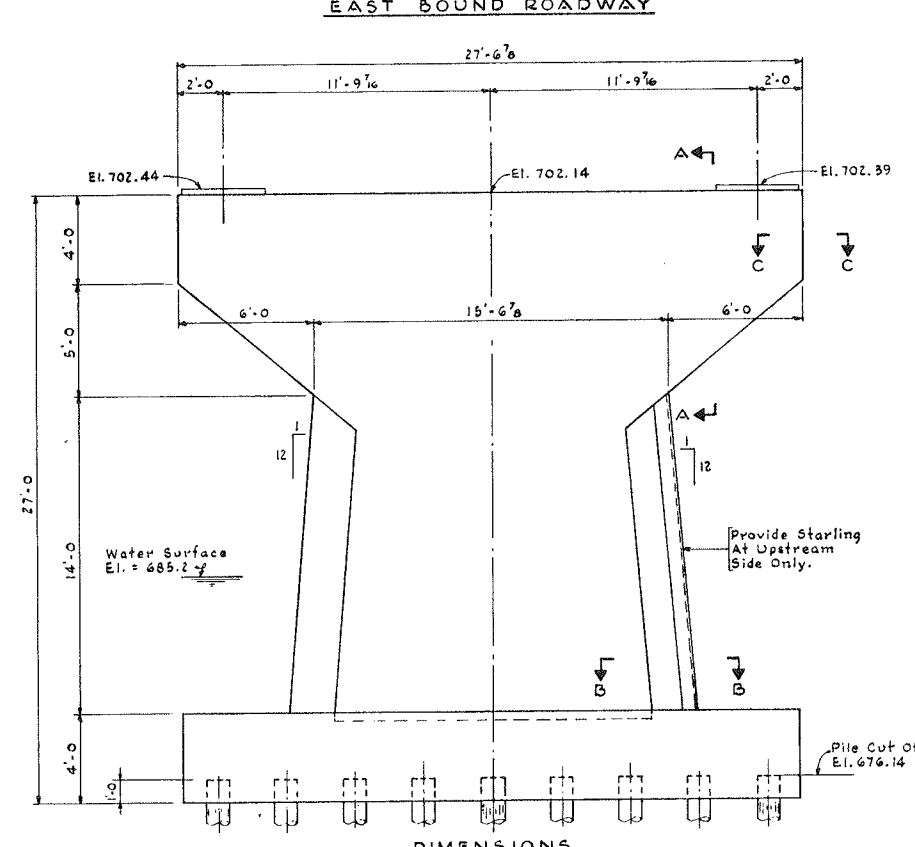
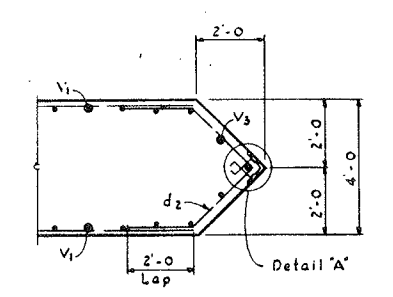
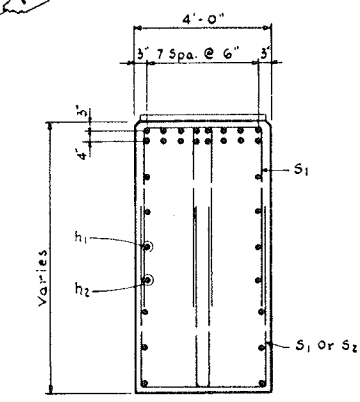
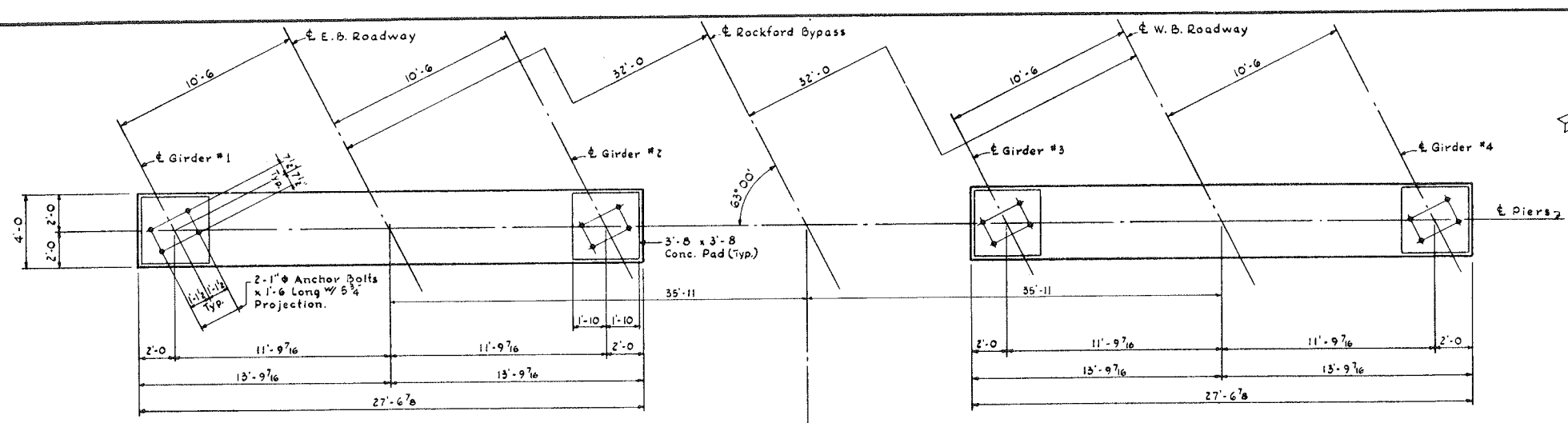


ROUTE NO.	SEC.	COUNTY	TOTAL SHEETS	SHEET NO.
F.A. 194	3 B	WINNEBAGO	26	6
STA. TO STA.			PROJ.	
FED. ROAD DIST. NO. 7 (ILLINOIS)				



**NOTE:**  
Minimum Lap All Reinforcement Bars Shall Be 20 Bar Diameters.

**QUANTITIES FOR 2 PIERS**

ITEM	UNIT	TOTAL
CLASS "X" CONC.	CU. YDS.	223
REINFORCING	LBS.	16 234
PILES	L. F.	4260
CLASS "B" EXCAVATION	CU. YDS.	400
TEST PILE	EACH	1

**NOTES:**  
For General Notes See Drawing #2.  
Work This Drawing With Reinforcing Schedule.  
Concrete Pads To Be Poured Monolithically With Pier Cap.

**PILE DATA:**  
30 Ton Concrete Piles  
Estimated Length 60'  
Number Required 72

ILLINOIS DIVISION OF HIGHWAYS ROCKFORD BYPASS	
F. A. ROUTE 194	
PROJECT	SECTION 3 B
WINNEBAGO COUNTY	
PIER NO. 2	
Designed By: E.S.	Drawn By: G.G.
Checked By: JDP	

**FOR INFORMATION ONLY**