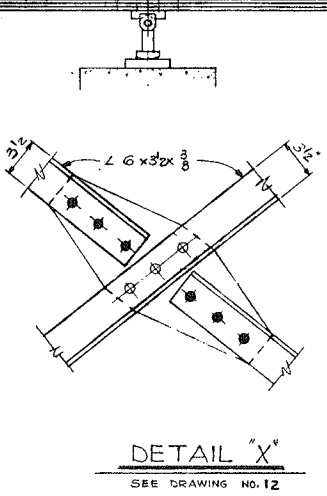
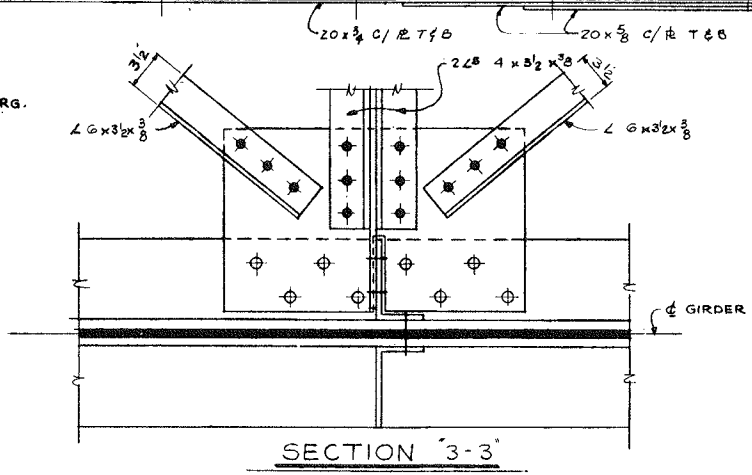
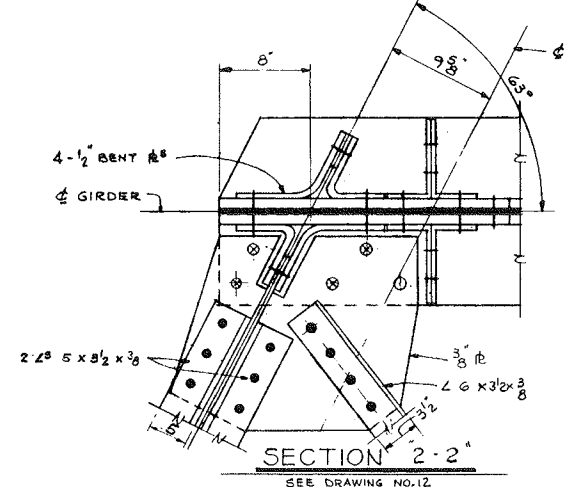
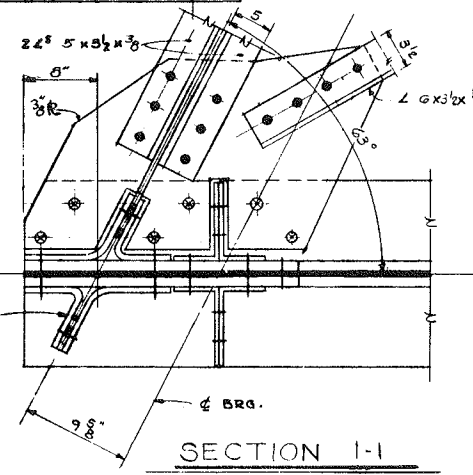
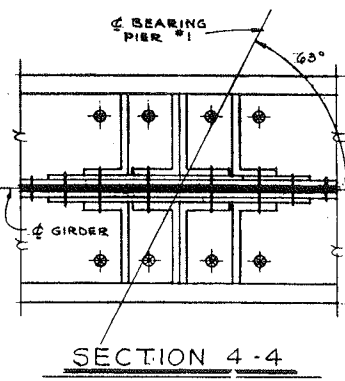
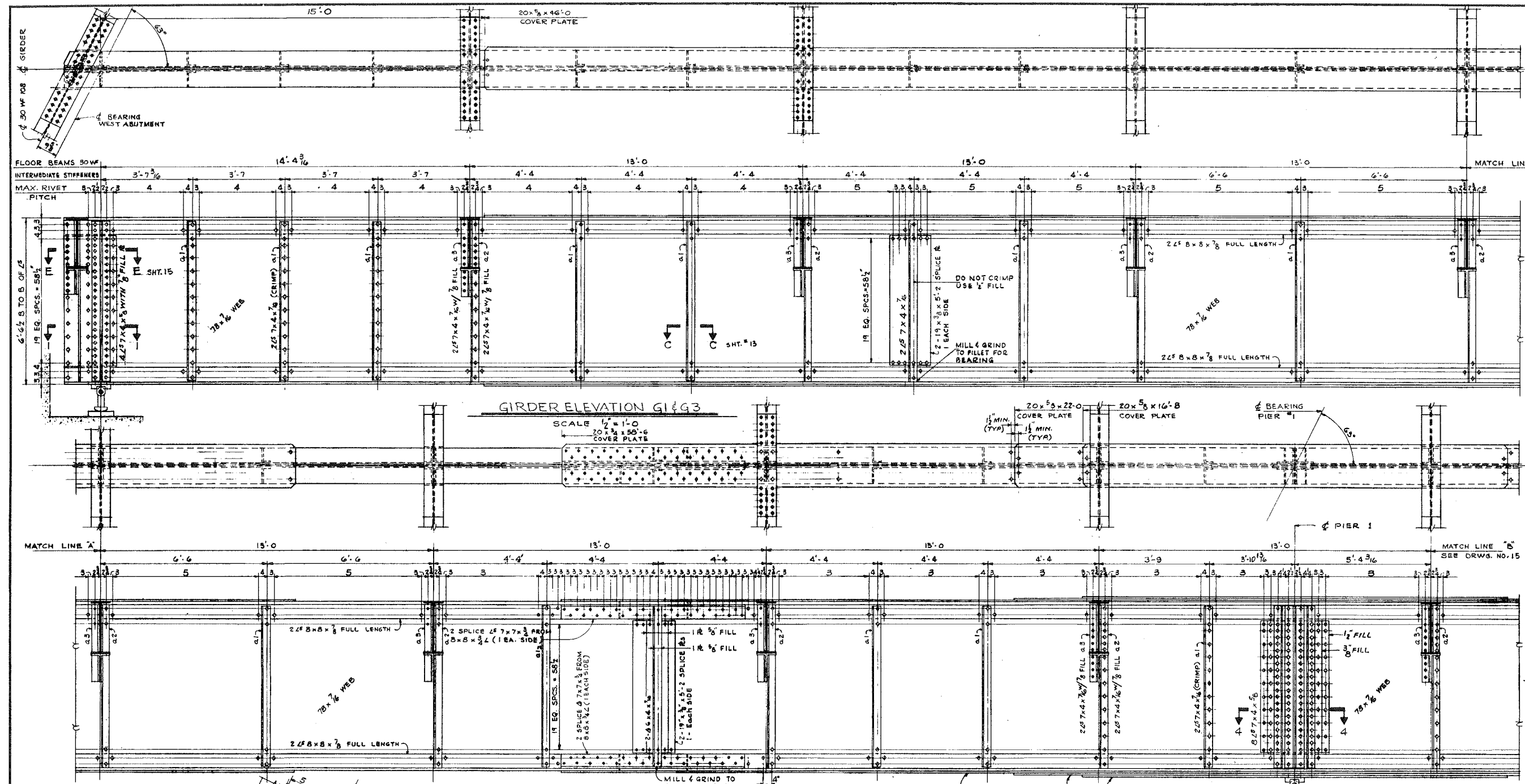


ROUTE NO.	SEC.	COUNTY	TOTAL SHEETS	SHEET NO.
F.A. 194	3B	WINNEBAGO	26	14
STA. TO STA.		PROJ.		
FED. ROAD DIST. NO. 7 ILLINOIS				



ILLINOIS DIVISION OF HIGHWAYS  
 ROCKFORD BYPASS  
 F. A. ROUTE 194  
 PROJECT SECTION 3B  
 WINNEBAGO COUNTY  
 GIRDER DETAILS PART I  
 Designed By: E.B.A. Drawn By: A.P.W. Checked By:

**FOR INFORMATION ONLY**