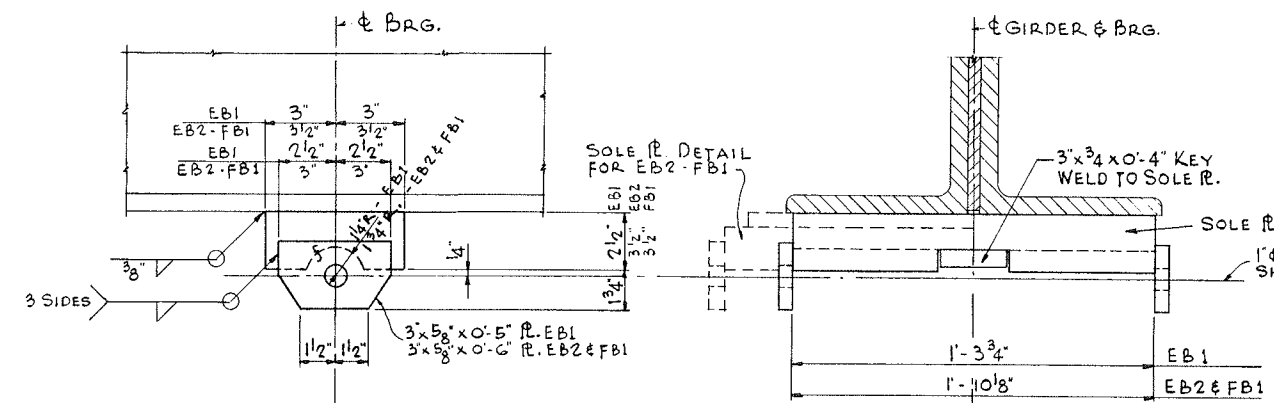
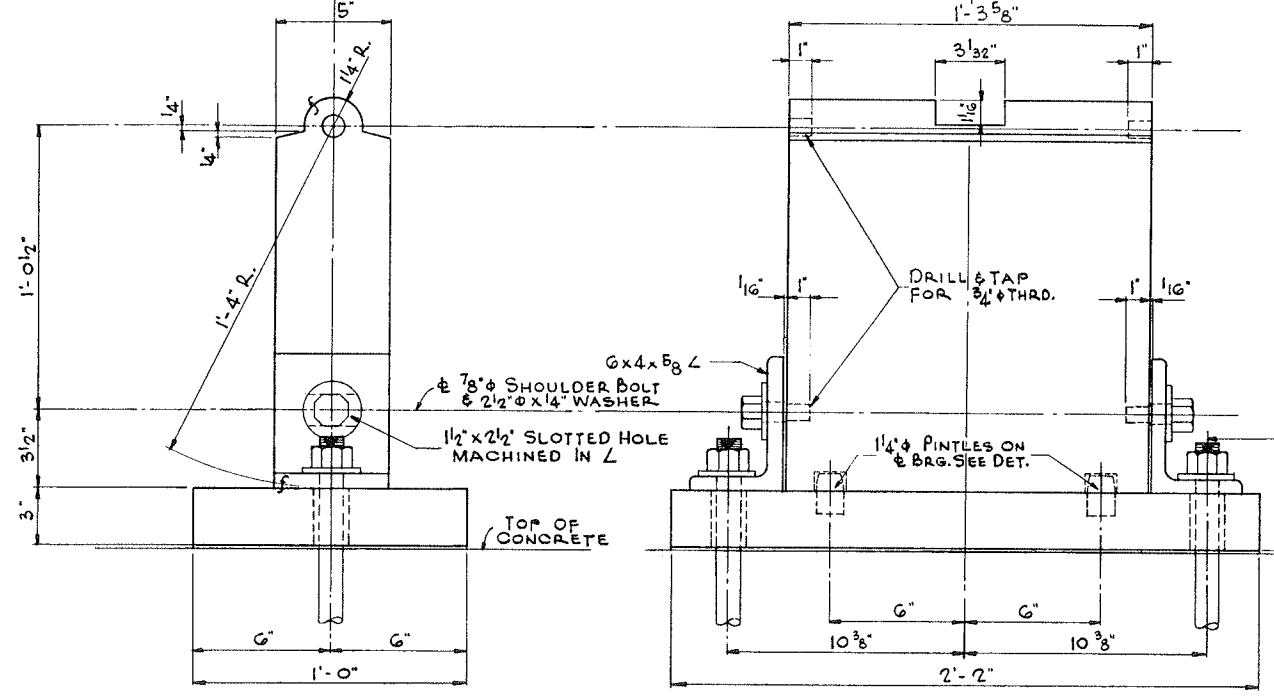


ROUTE NO.	SEC.	COUNTY	TOTAL SHEETS	SHEET NO.
F.A. 194	3 B	WINNEBAGO	26	16
STA.		TO STA.		PROJ.
FED. ROAD DIST. NO. ILLINOIS				

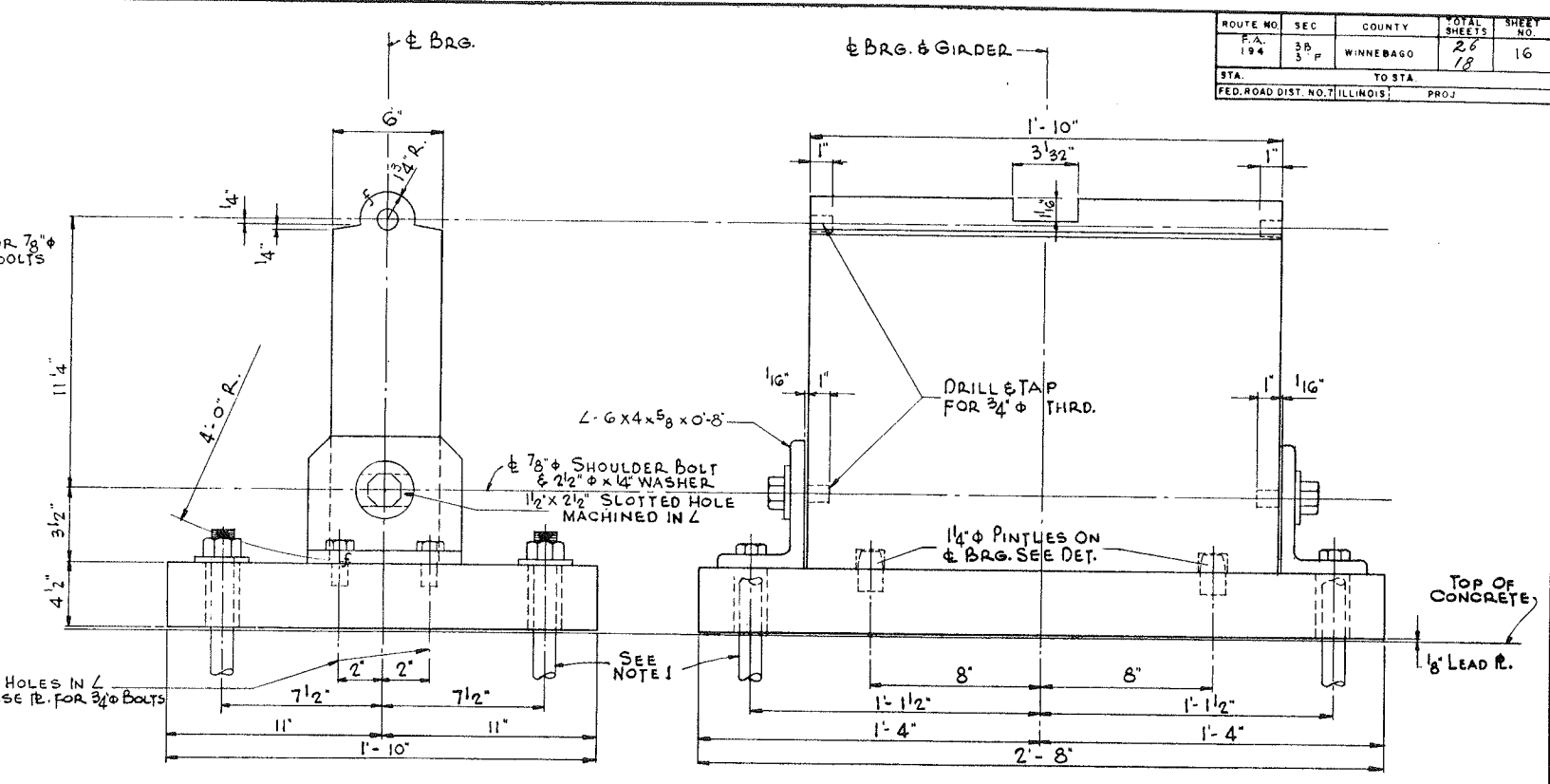


SOLE PL. FOR FIXED & EXP. BRGS.

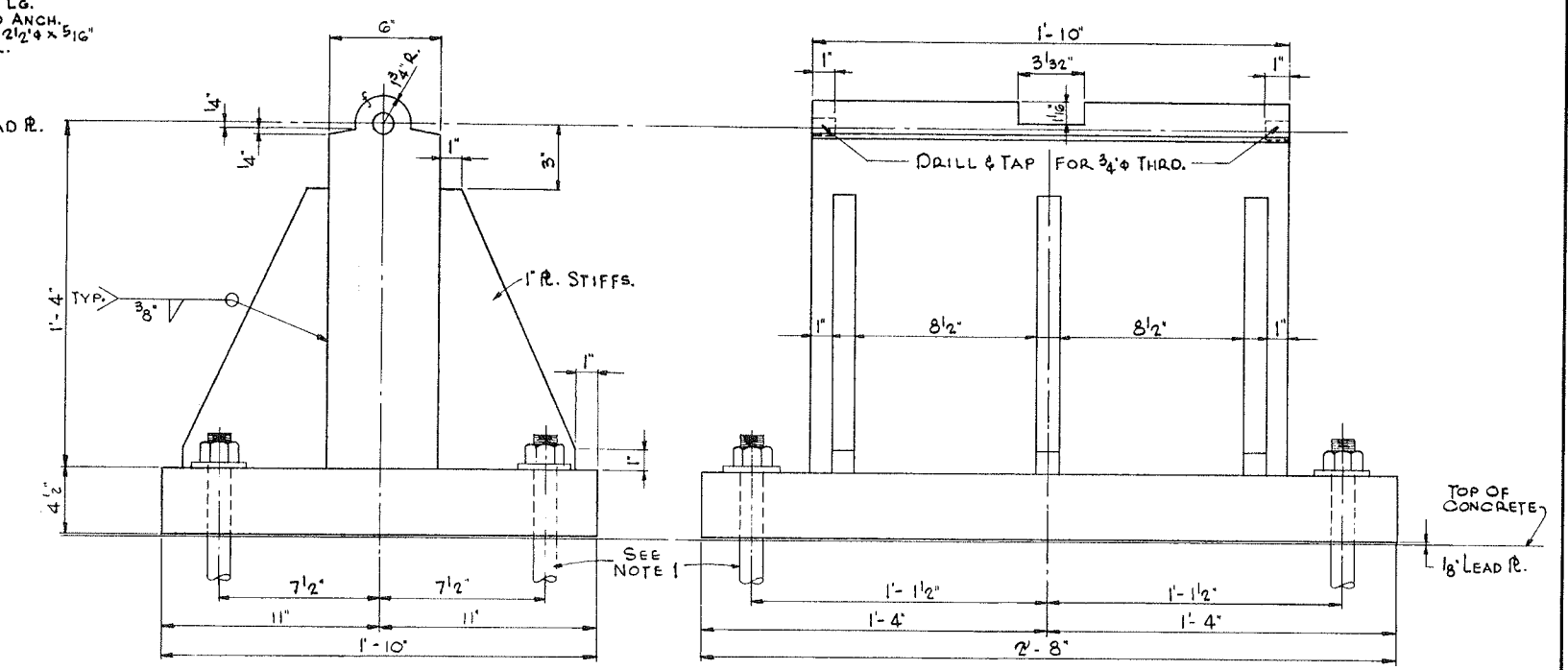


EXPANSION BRG. EB1

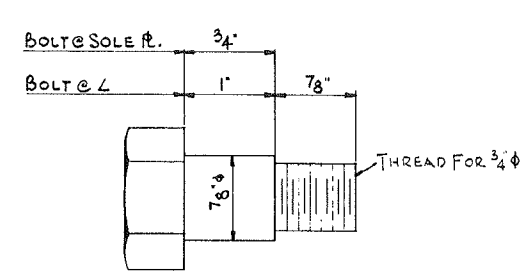
NOTE 1
1 1/2" HOLE FOR 1" x 1 1/2" LG. SWEDGED ANCH. BOLT W/ 2 1/2" x 5/16" WASHER.



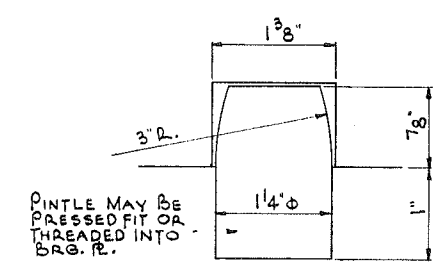
EXPANSION BRG. EB2



FIXED BRG. FB1



SHOULDER BOLT



PINTLE

BEARING NOTES

FIXED & EXPANSION BEARINGS SHALL BE FABRICATED FROM STRUCTURAL STEEL PL. OR SLABS. MACHINED PIN FOR FIXED & EXP. BRGS. & SEMI-CIRCULAR HOLE IN SOLE PL. SHALL BE FINISHED SMOOTH WITH FINAL FINISHING CUT SO THAT SURFACES ARE IN FULL BEARING & CAN ROTATE FREELY. SLOTTED HOLES IN HOLD DOWN PL. SHALL BE ACCURATELY FINISHED SO AS TO BE FREE OF BINDING. BEARINGS SHALL BE SHOP ASSEMBLED & MATCH MARKED.

ILLINOIS DIVISION OF HIGHWAYS	
ROCKFORD BYPASS	
F. A. ROUTE 194	
PROJECT	SECTION 3 B
WINNEBAGO COUNTY	
BEARING DETAILS	

FOR INFORMATION ONLY