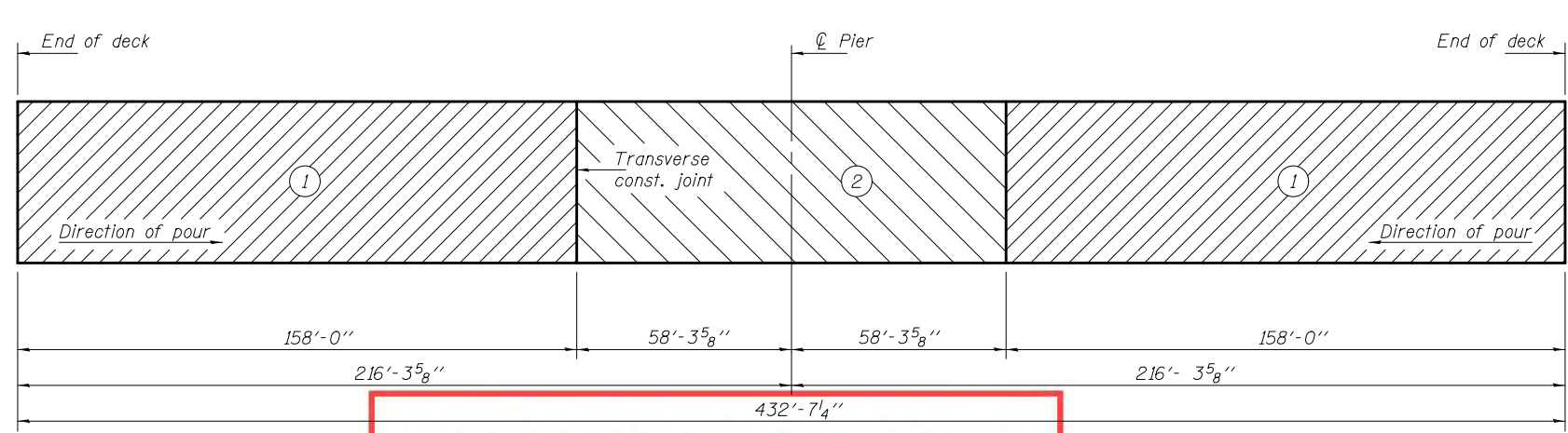


**FOOTING LAYOUT**



**PRE-FINAL**  
DECK POURING SEQUENCE

DESIGNED - Nick R. Barnett	EXAMINED - <i>Joanne F. [Signature]</i> ACTING ENGINEER OF BRIDGE DESIGN	DATE -	<b>STATE OF ILLINOIS DEPARTMENT OF TRANSPORTATION</b>	<b>FOOTING LAYOUT STRUCTURE NO. 101-0197 (E.B.) &amp; 101-0198 (W.B.)</b>	F.A.P. RTE. 301	SECTION 3BR & 3BR-1	COUNTY WINNEBAGO	TOTAL SHEETS	SHEET NO.	
CHECKED - Frank W. Sharp	PASSED - <i>Carl [Signature]</i> ACTING ENGINEER OF BRIDGES AND STRUCTURES	REVISED			CONTRACT NO. 64D19		ILLINOIS FED. AID PROJECT			
DRAWN - h.t. duong		REVISED			SHEET NO. 5 OF 50 SHEETS					
CHECKED - NRB/FWS/GRA										