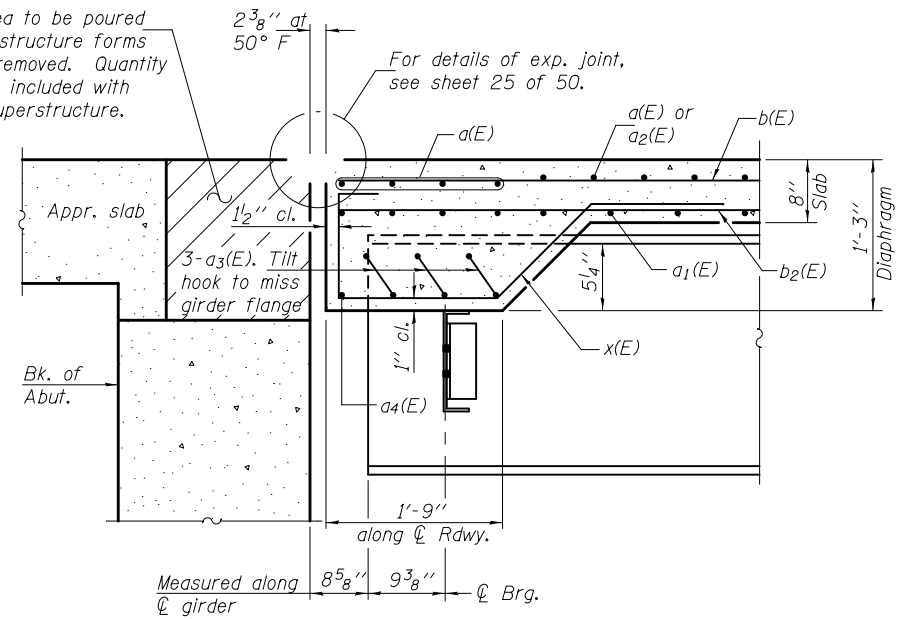
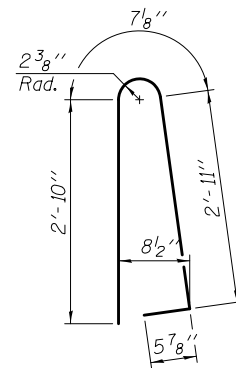


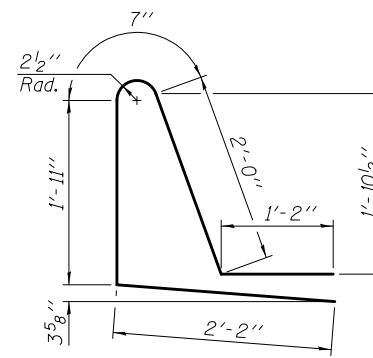
Hatched area to be poured after superstructure forms have been removed. Quantity of concrete included with Concrete Superstructure.



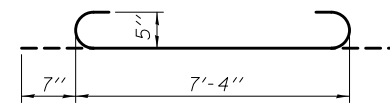
SECTION A-A



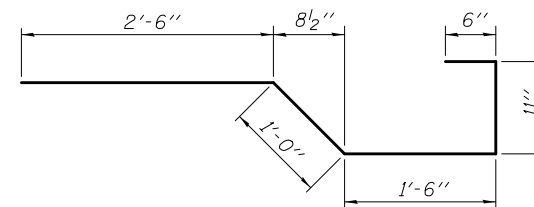
BAR d(E)



BAR d1(E)



a3(E) BAR



BAR x(E)

**TWO SUPERSTRUCTURES  
(E.B. & W.B.)  
BILL OF MATERIAL**

Bar	No.	Size	Length	Shape
d(E)	1888	#5	44'-7"	—
a1(E)	1154	#5	42'-10"	—
a2(E)	3776	#6	6'-6"	—
a3(E)	60	#5	8'-6"	—
a4(E)	4	#5	38'-0"	—
a5(E)	64	#5	1'-6"	—
b(E)	1344	#5	33'-11"	—
b1(E)	270	#6	42'-0"	—
b2(E)	1230	#5	31'-11"	—
d(E)	1892	#5	6'-10"	—
d1(E)	1892	#5	7'-10"	—
e(E)	568	#4	19'-9"	—
e1(E)	56	#4	16'-0"	—
e2(E)	56	#8	32'-6"	—
e3(E)	8	#8	19'-9"	—
e4(E)	56	#4	29'-9"	—
x(E)	140	#5	6'-5"	—
Reinforcement Bars, Epoxy Coated			Pound	326890
Concrete Superstructure			Cu. Yds.	1275.6

Bars indicated thus 1 x 2-#8 etc. indicates 1 line of bars with 2 lengths per line.

**PRE-FINAL**