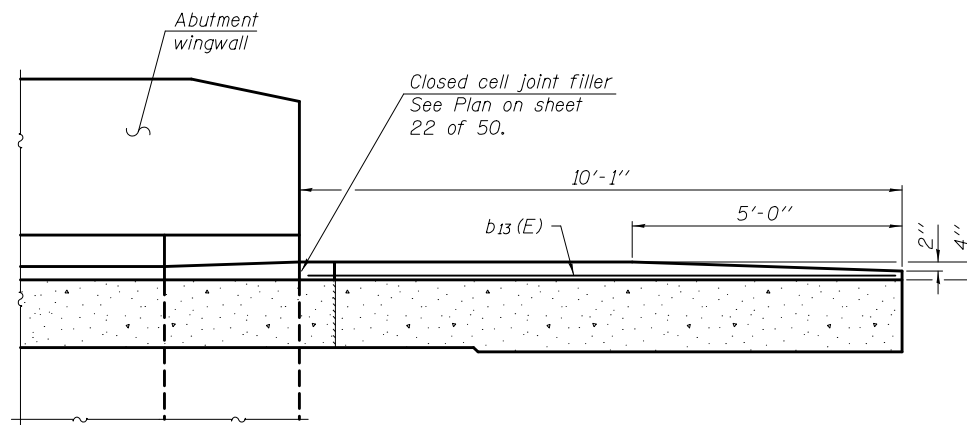
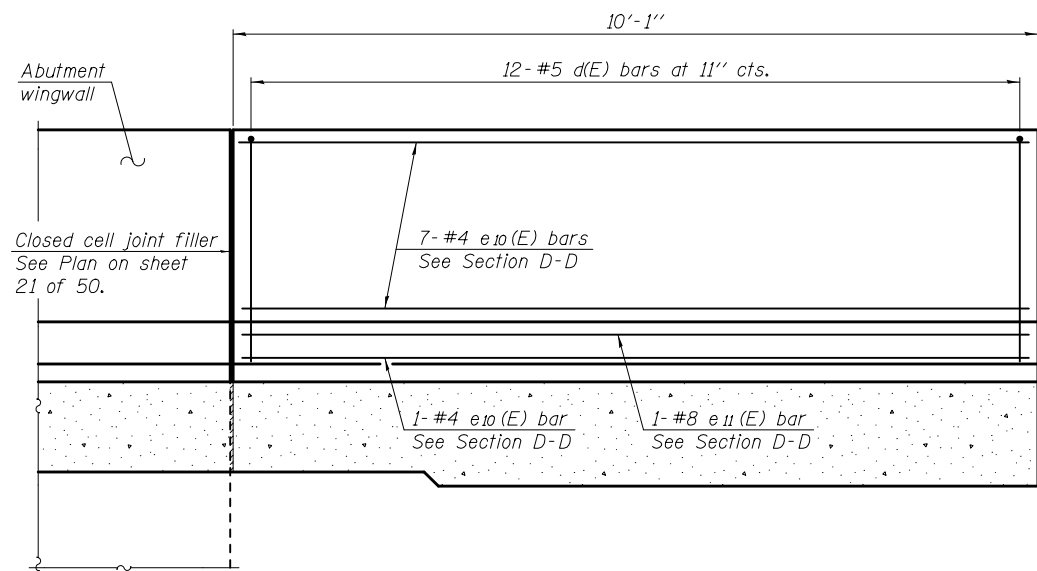


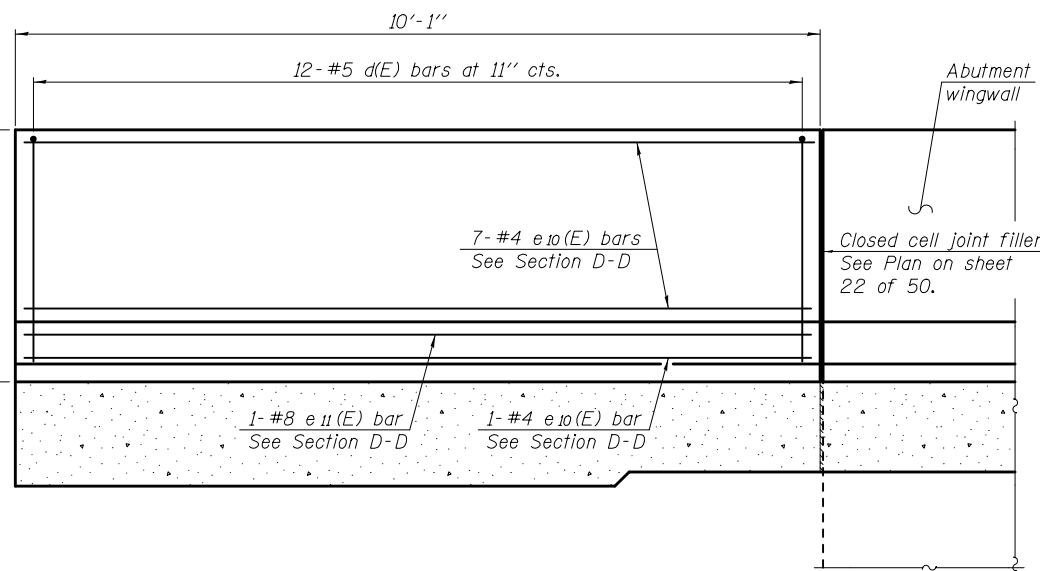
VIEW E-E
(Showing curb reinforcement)



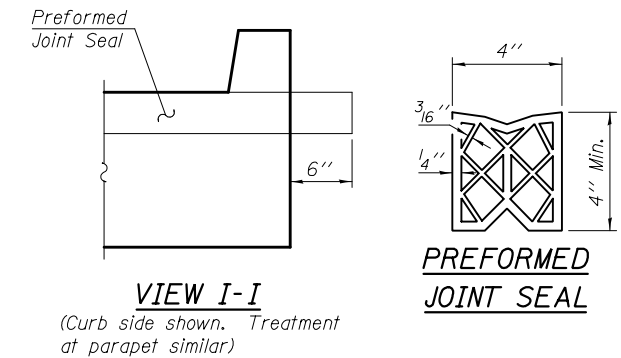
VIEW G-G
(Showing curb reinforcement)



VIEW F-F
(Showing parapet reinforcement)

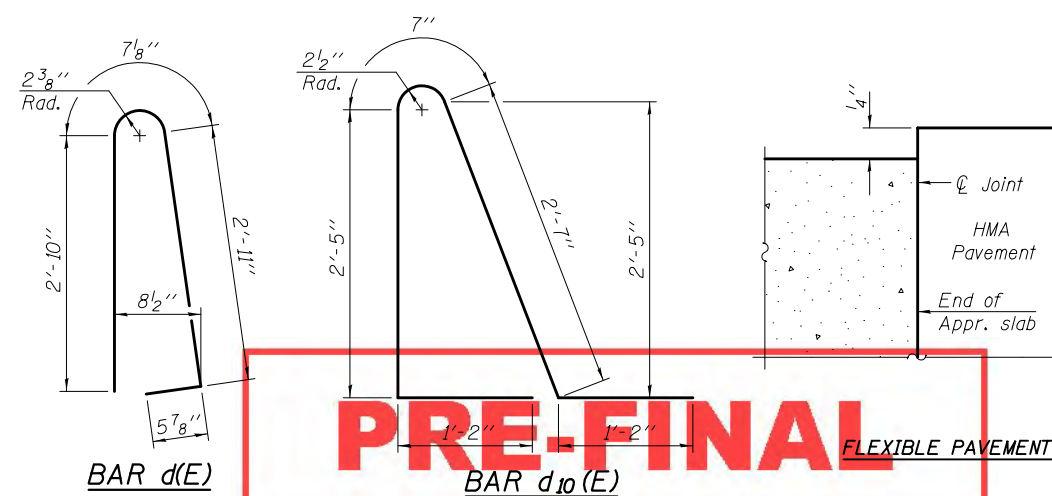
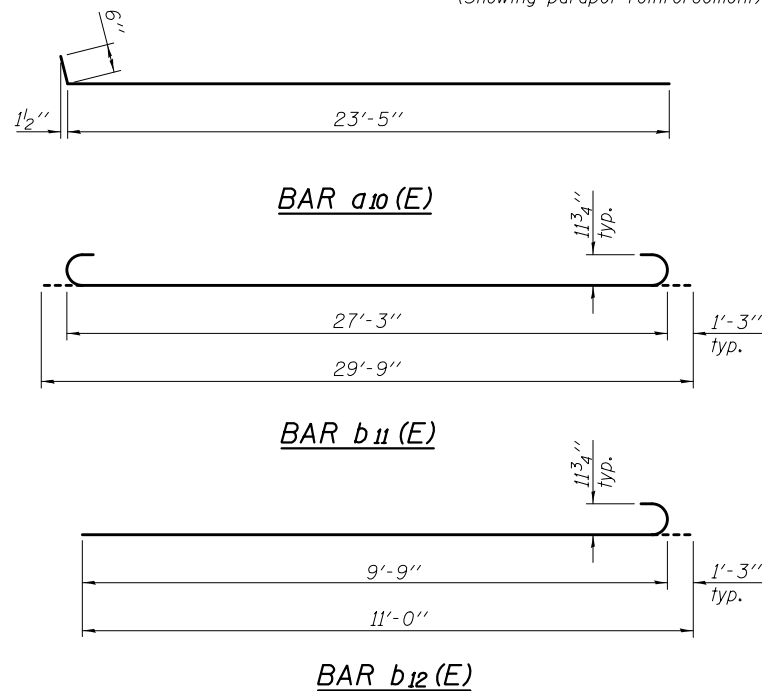


VIEW H-H
(Showing parapet reinforcement)

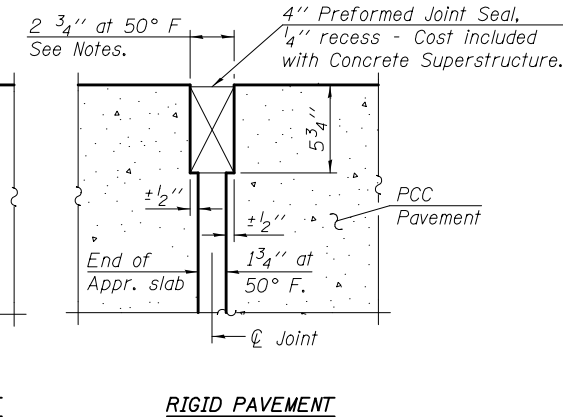


**FOUR APPROACHES
BILL OF MATERIAL**

Bar	No.	Size	Length	Shape
a2(E)	36	#6	6'-6"	—
a10(E)	44	#4	23'-11"	—
a11(E)	44	#4	23'-5"	—
a12(E)	112	#4	22'-2"	—
a13(E)	80	#5	44'-2"	—
a14(E)	104	#5	41'-8"	—
b10(E)	136	#4	29'-8"	—
b11(E)	404	#9	29'-9"	—
b12(E)	20	#9	11'-0"	—
b13(E)	8	#4	9'-9"	—
b14(E)	12	#5	9'-9"	—
d(E)	48	#5	6'-10"	—
d10(E)	48	#5	7'-11"	—
e10(E)	32	#4	9'-9"	—
e11(E)	4	#8	9'-9"	—
f10(E)	360	#4	9'-8"	—
w10(E)	160	#5	44'-2"	—
Concrete Superstructure		Cu. Yd.	251.4	
Concrete Structures		Cu. Yd.	54.9	
Reinforcement Bars, Epoxy Coated		Pound	66840	



PRE-FINAL



DETAIL A

DESIGNED - NICHOLAS R. BARNETT	EXAMINED - _____	DATE - _____
CHECKED - FRANK W. SHARP	ACTING ENGINEER OF BRIDGE DESIGN	
DRAWN - MICHAEL B. MOSSMAN	PASSED - _____	REVISED - _____
CHECKED - NRB/FWS/GRA	ACTING ENGINEER OF BRIDGES AND STRUCTURES	REVISED - _____

**STATE OF ILLINOIS
DEPARTMENT OF TRANSPORTATION**

**BRIDGE APPROACH SLAB DETAILS
STRUCTURE NO. 101 - 0197 (EB) & 101 - 0198 (WB)**

SHEET NO. 24 OF 50 SHEETS

F.A.P. R.T.E.	SECTION	COUNTY	TOTAL SHEETS	SHEET NO.
301	3BR & 3BR-1	WINNEBAGO		
CONTRACT NO. 64D19				
ILLINOIS FED. AID PROJECT				