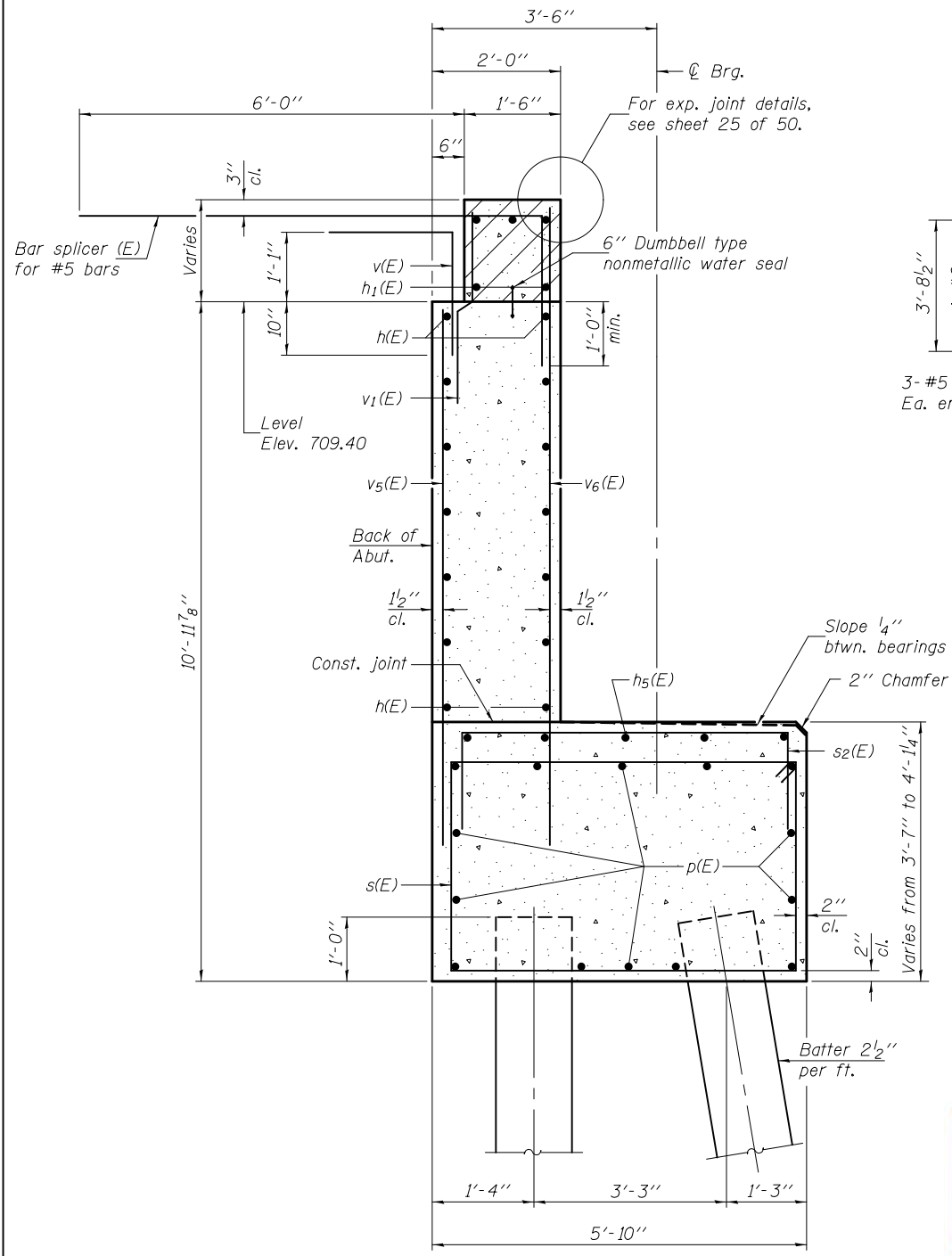
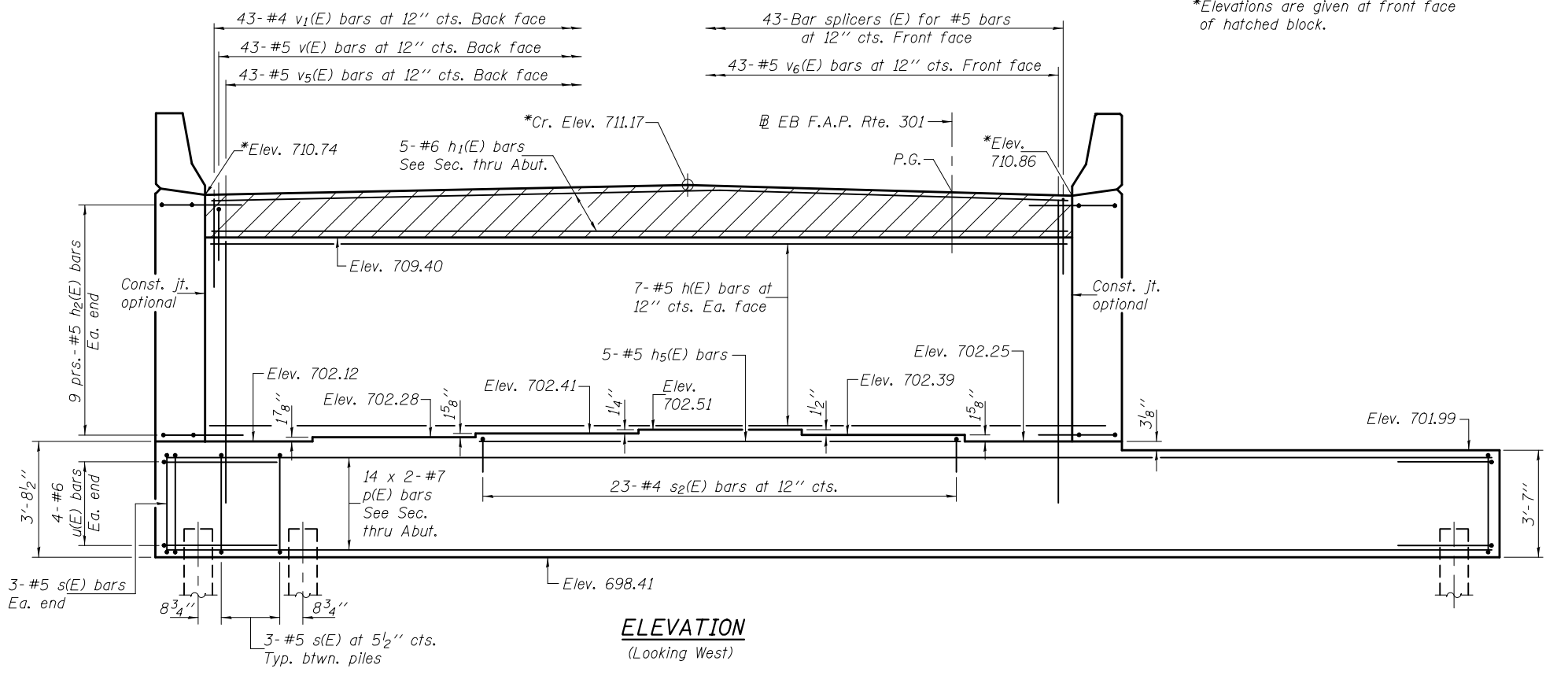


Notes:  
 Hatched area to be poured after superstructure false work has been removed. Quantity of concrete included with Concrete Superstructure.  
 Space reinforcement in cap to miss anchor bolts.  
 Pour steps monolithically with cap.  
 Quantity of concrete in end post included with Concrete Superstructure on sheet 31 of 50.  
 See sheet 44 of 50 for additional form liner details.  
 Form liner shall be placed on outside face of wingwalls as shown in the wingwall elevation shown below.  
 For bar splicer details, see sheet 46 of 50.

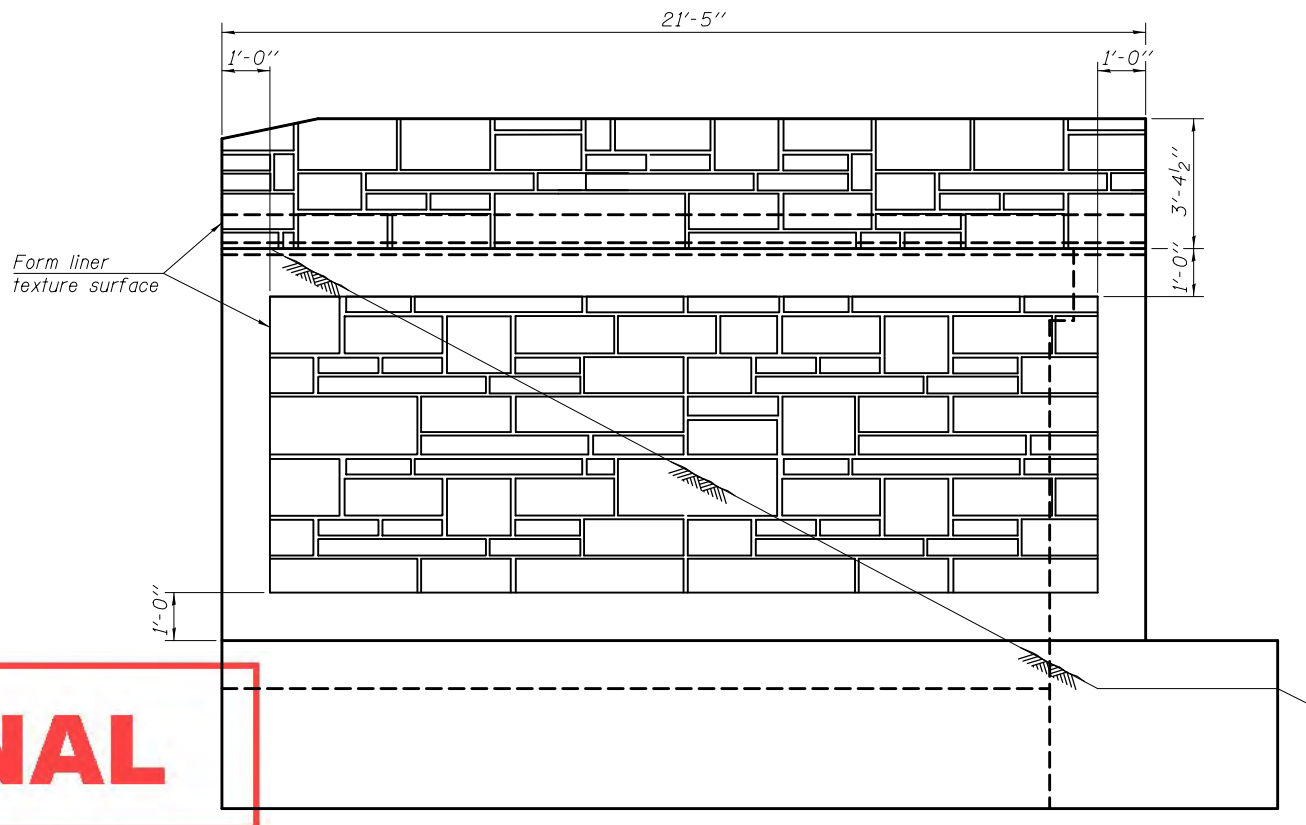
\*Elevations are given at front face of hatched block.



**SECTION THRU WEST ABUTMENT**



**ELEVATION**  
(Looking West)



**WINGWALL ELEVATION**  
(South wingwall shown, North wingwall similar).

**PRE-FINAL**  
 MIN. BAR LAP  
 #7 bar = 5'-2"

DESIGNED - Nick R. Barnett	EXAMINED - <i>Joanne F. [Signature]</i>	DATE -	<b>STATE OF ILLINOIS DEPARTMENT OF TRANSPORTATION</b>	<b>WEST ABUTMENT (E.B.) - STAGE I CONSTRUCTION STRUCTURE NO. 101-0197 (E.B.) &amp; 101-0198 (W.B.)</b>	F.A.P. RTE. 301	SECTION 3BR & 3BR-1	COUNTY WINNEBAGO	TOTAL SHEETS	SHEET NO.	
CHECKED - Frank W. Sharp	PASSED - <i>Carl [Signature]</i>	REVISED			CONTRACT NO. 64D19					
DRAWN - h.t. duong	ACTING ENGINEER OF BRIDGES AND STRUCTURES	REVISED			SHEET NO. 32 OF 50 SHEETS					
CHECKED - NRB/FWS/GRA					ILLINOIS FED. AID PROJECT					