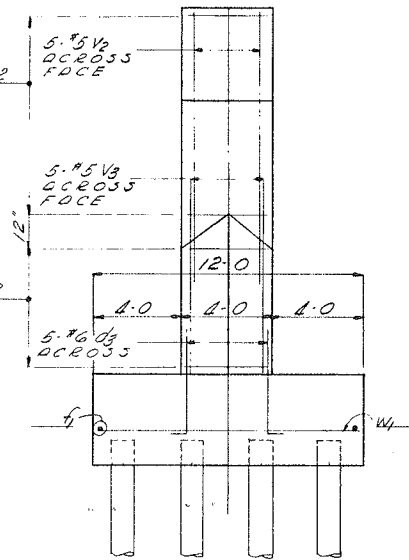
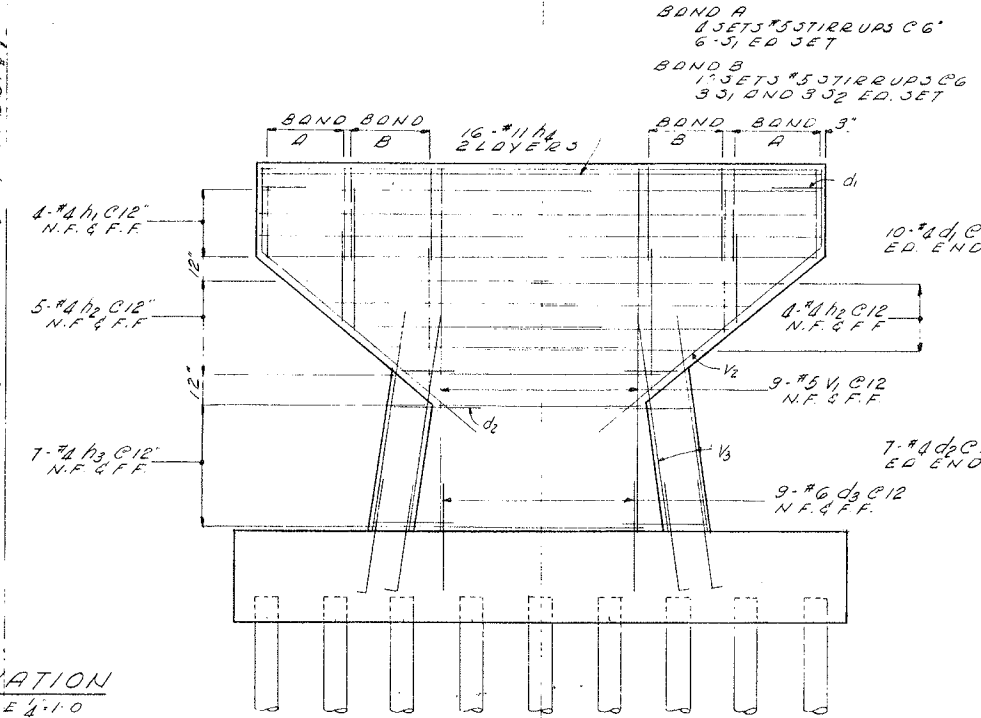
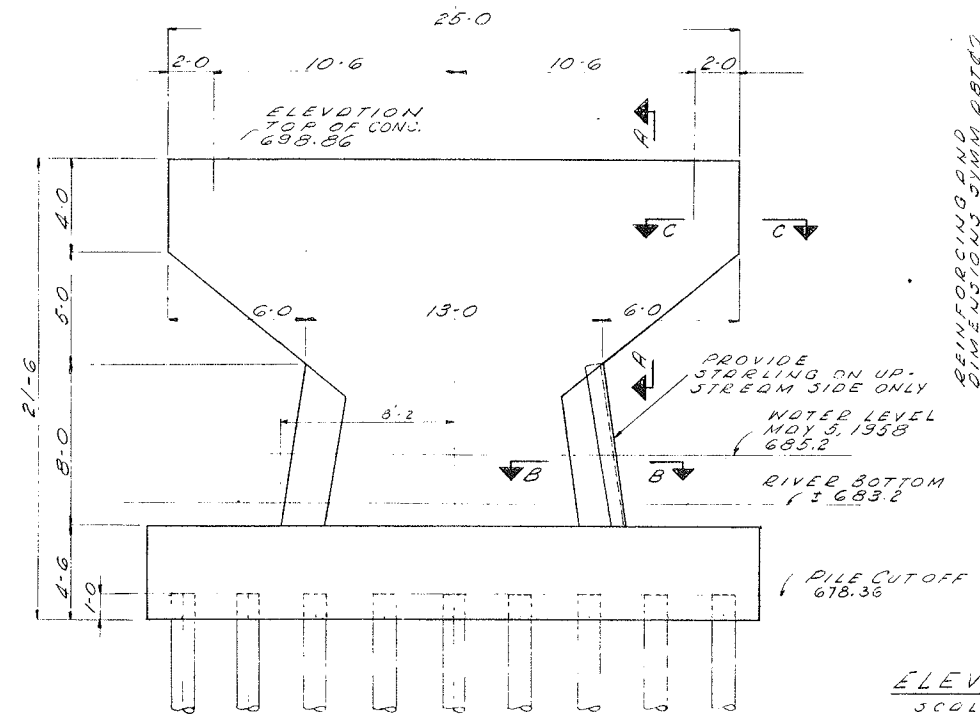
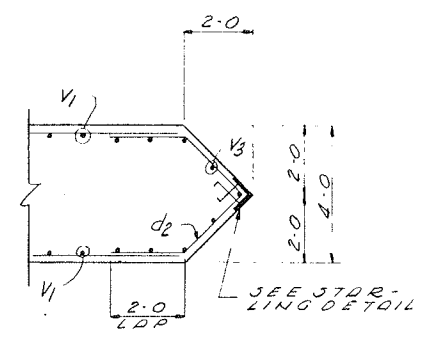
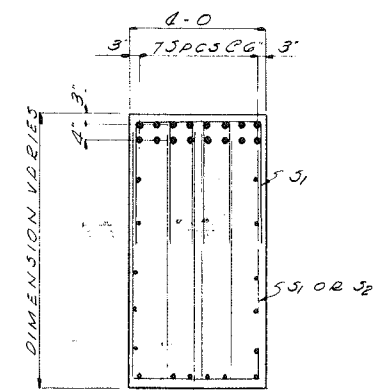
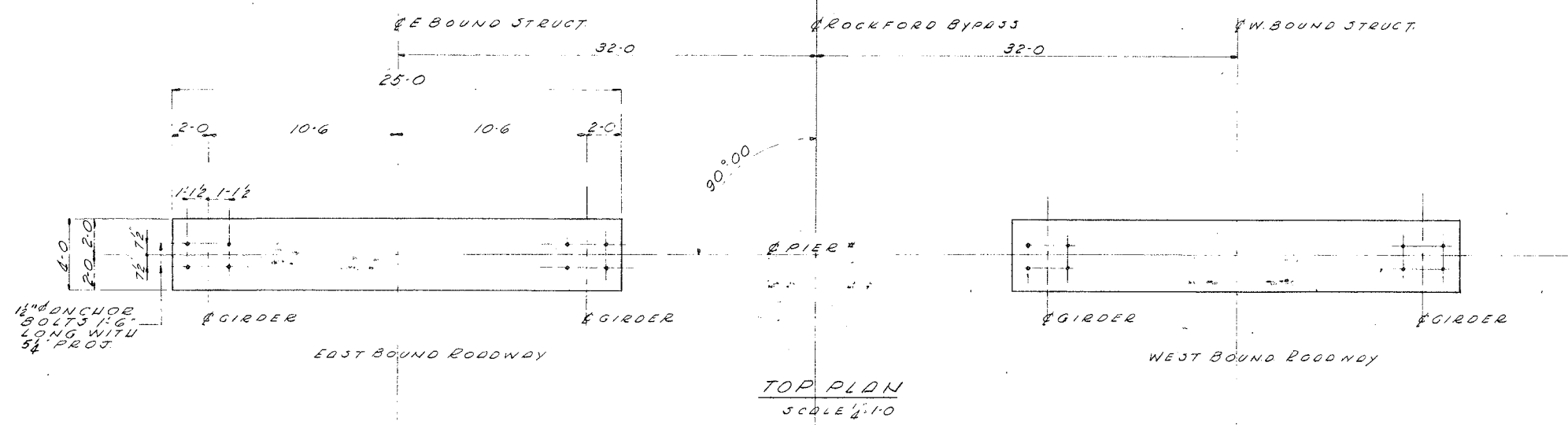
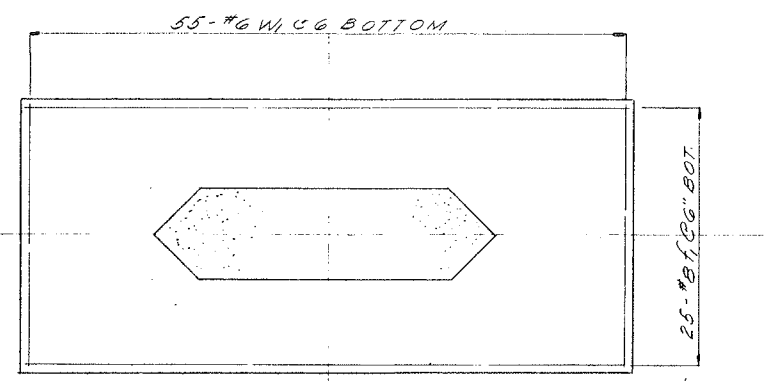
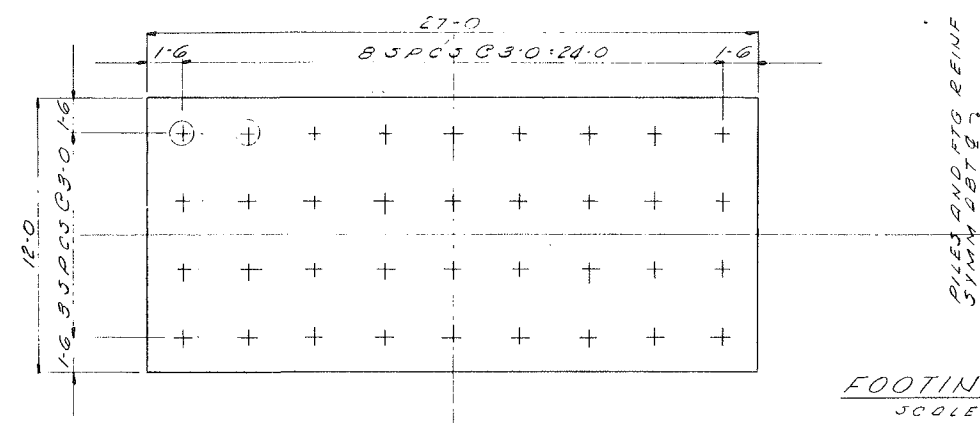
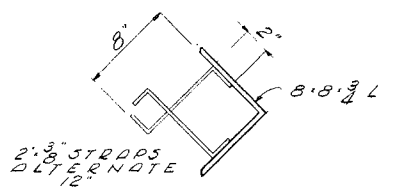


ROUTE NO.	SEC.	COUNTY	TOTAL SHEETS	SHEET NO.
194	3B1-F	WINNEBAGO	23	
STA. TO STA.			PROJ. U 254	
FED. ROAD DIST. NO. 7 ILLINOIS			STATE OF ILLINOIS	

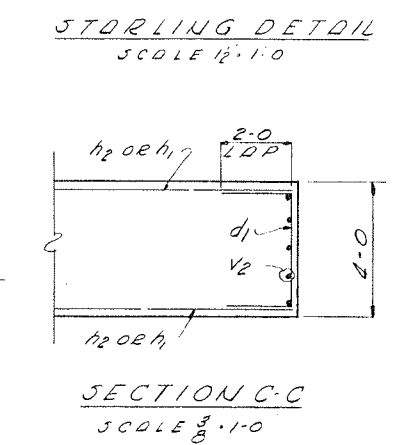


NOTE:
ANGLE FOR STAIRING SHALL BE FURNISHED BY CONTRACTOR FOR SECTION 3B1-F AND INSTALLED BY CONTRACTOR FOR SECTION 3B1.



QUANTITIES FOR 2 PIERS

ITEM	UNIT	TOTAL
CLASS 1 CONC	CY	192
REINFORCING	lbs	16,490
CONC PILES	L.F.	4,260
CONC. TEST PILES	EA.	1



PILE DATA
30 TON W/ COMPLETE PILES
EST. LENGTH 60 FT
NUMBER 254 72
NOTES
FOR GENERAL NOTES SEE SHEET 2.
REINFORCING SCHEDULE 18 & 19.

ILLINOIS DIVISION OF HIGHWAYS
ROCKFORD BYPASS
F. A. ROUTE 194
PROJECT SECTION 3B1
WINNEBAGO COUNTY
PIER No 2

FOR INFORMATION ONLY