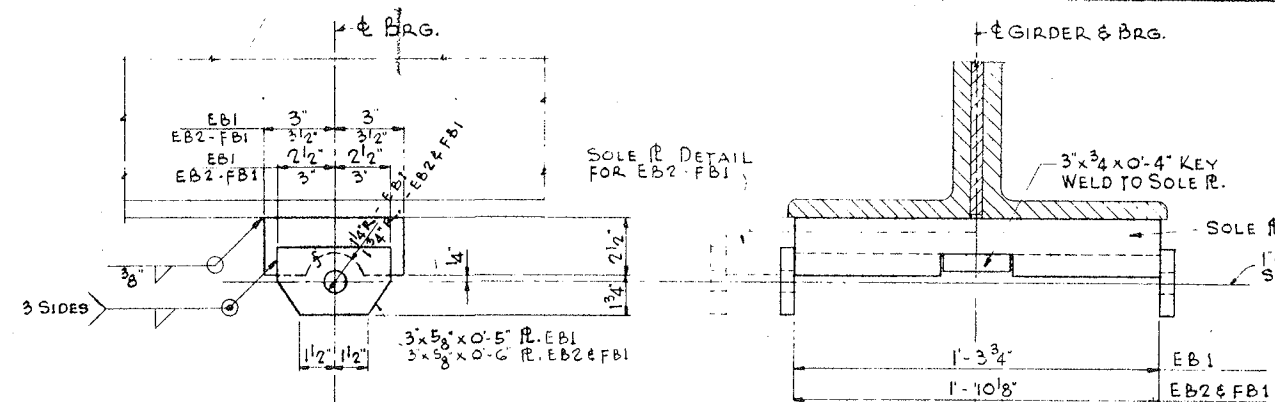
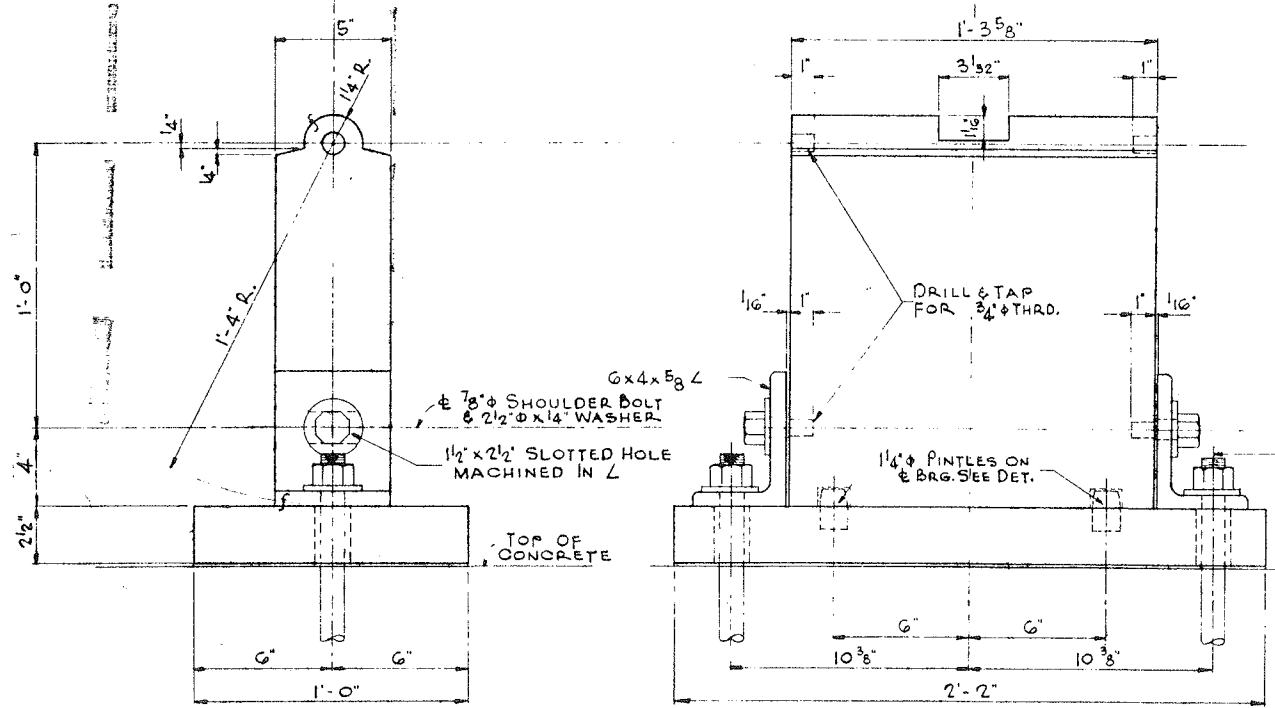


ROUTE NO. 194	SEC. 3B1	COUNTY WINNEBAGO	SHEET 23	SHEET NO. 15
STA. TO STA.		PROJ. D 264		
FED. ROAD DIST. NO. 7 ILLINOIS				

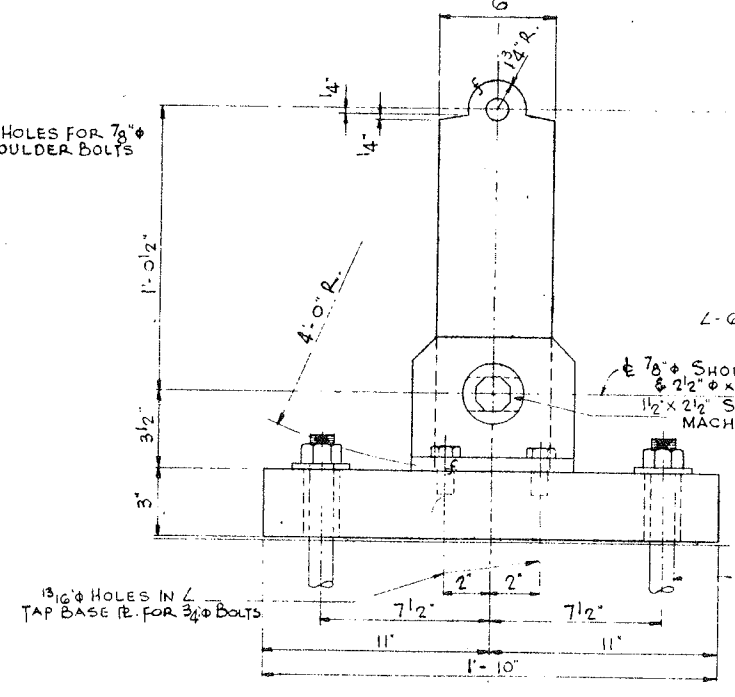


SOLE R. FOR FIXED & EXP. BRGS.

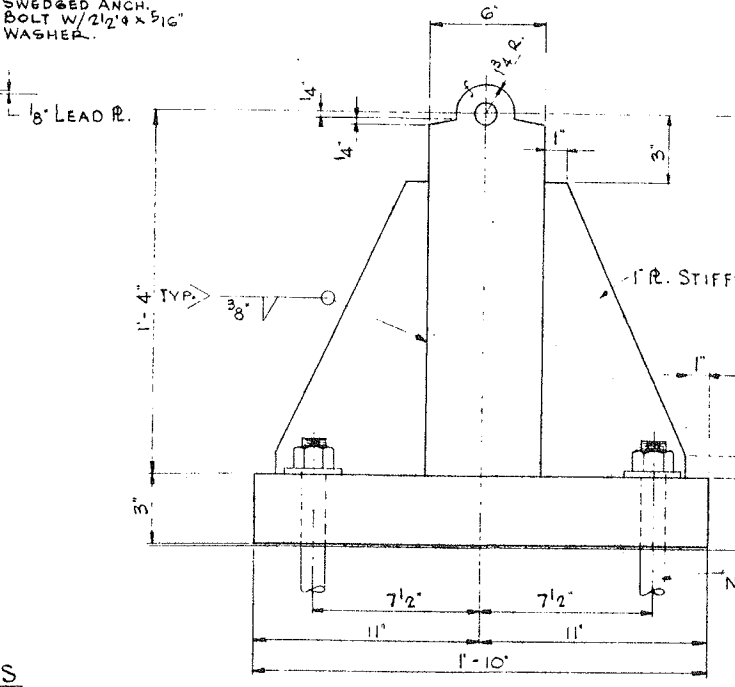


EXPANSION BRG. EB1

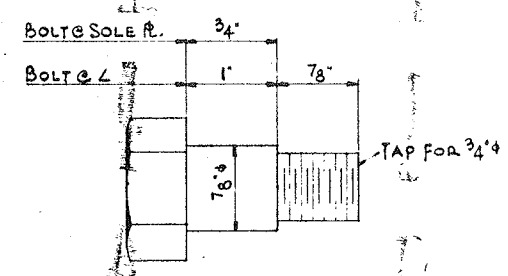
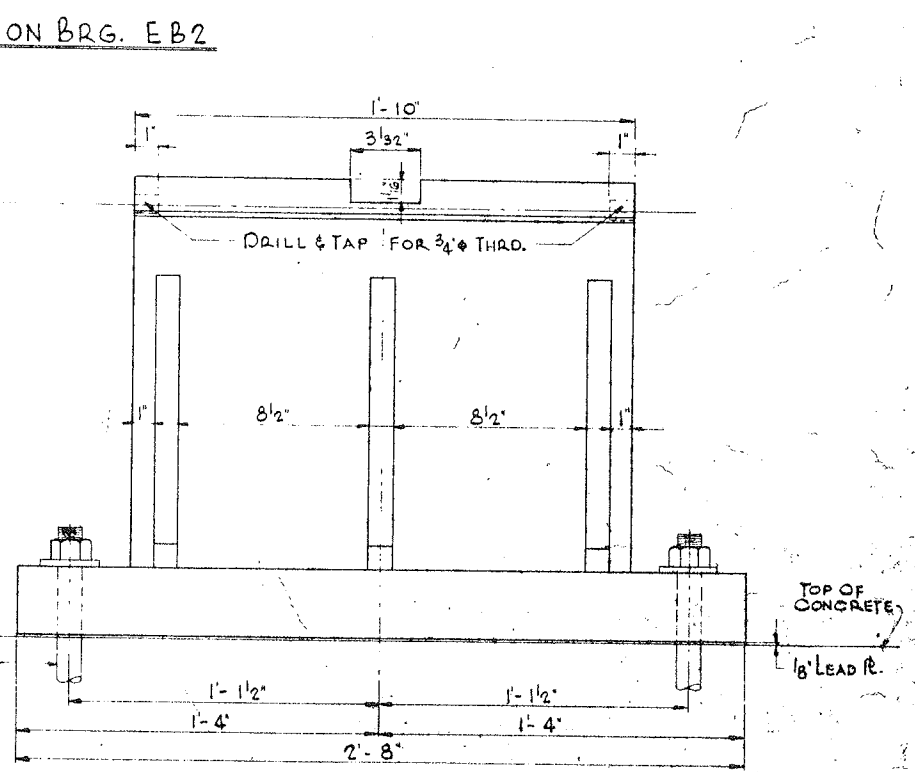
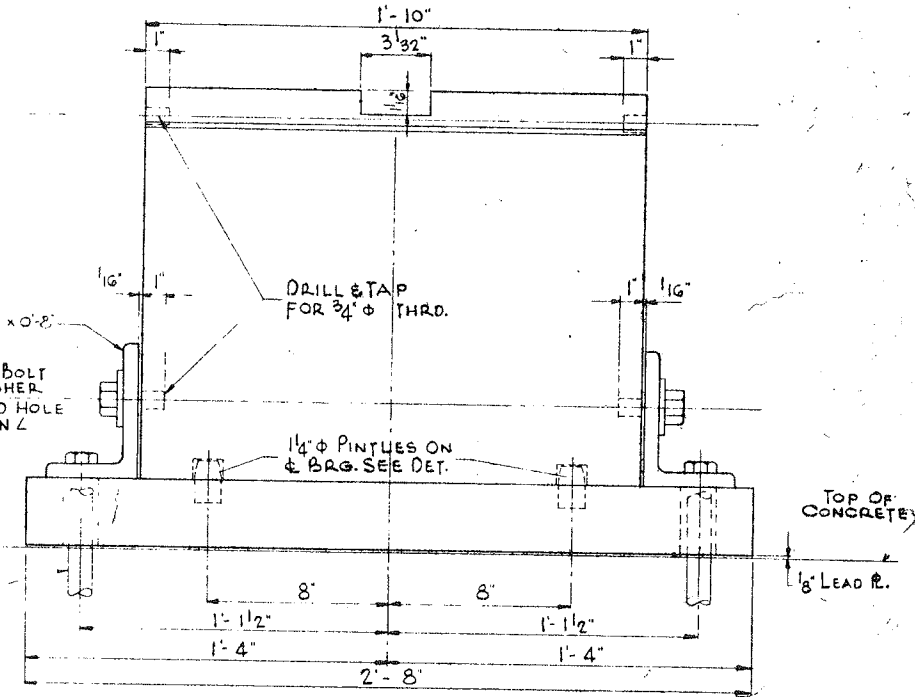
NOTE 1  
2" HOLE FOR 1 1/2" x 1 1/2" LG. SWAGED ANCH. BOLT W/ 2 1/2" x 5/16" WASHER.



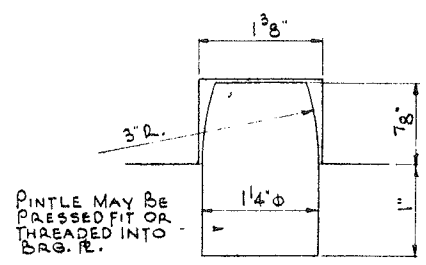
EXPANSION BRG. EB2



FIXED BRG. FB1



SHOULDER BOLT



PINTLE

BEARING NOTES

FIXED & EXPANSION BEARINGS SHALL BE FABRICATED FROM STRUCTURAL STEEL R. OR SLABS. MACHINED PIN FOR FIXED & EXP. BRGS. & SEMI-CIRCULAR HOLE IN SOLE R. SHALL BE FINISHED SMOOTH WITH FINAL FINISHING CUT SO THAT SURFACES ARE IN FULL BEARING & CAN ROTATE FREELY. SLOTTED HOLES IN HOLD DOWN Z'S SHALL BE ACCURATELY FINISHED SO AS TO BE FREE OF BINDING. BEARINGS SHALL BE SHOP ASSEMBLED & MATCHED MARKED.

FOR INFORMATION ONLY

ILLINOIS DIVISION OF HIGHWAYS	
ROCKFORD BYPASS	
F. A. ROUTE 194	
PROJECT	SECTION 3 B1
WINNEBAGO COUNTY	
BEARING DETAILS	