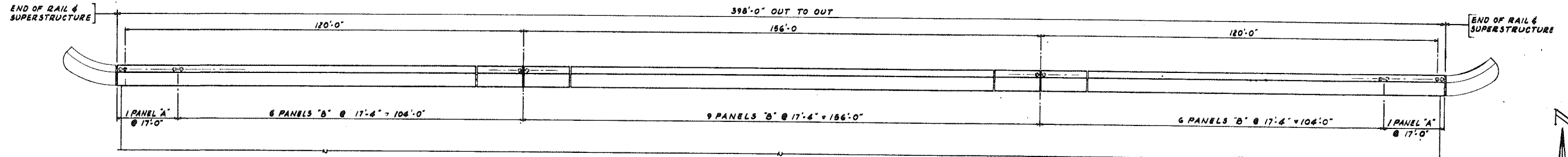
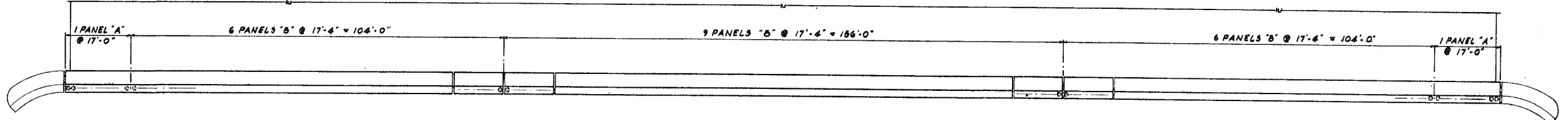


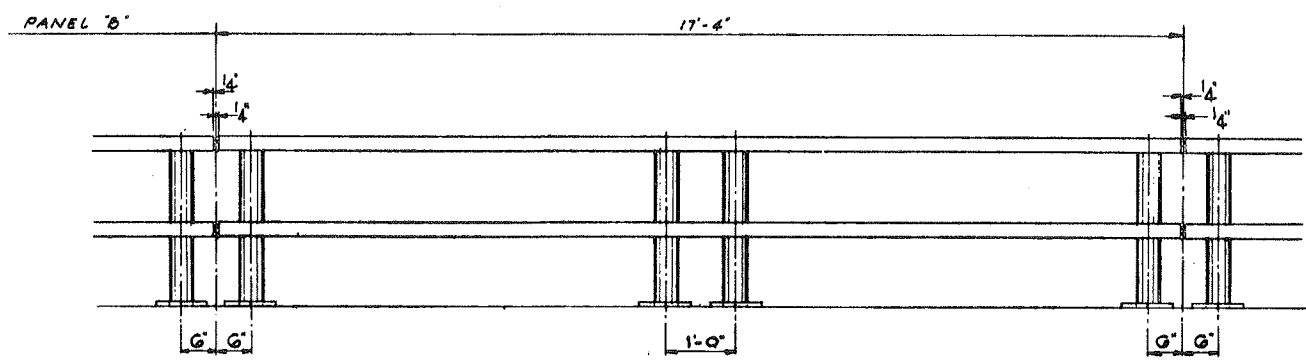
ROUTE NO.	SEC.	COUNTY	TOTAL SHEETS	SHEET NO.
F.A. 194	3B1	WINNEBAGO	25	17
STA.	TO STA.			
P.R. ROAD DIST. NO. 7 (ILL. 1913)				



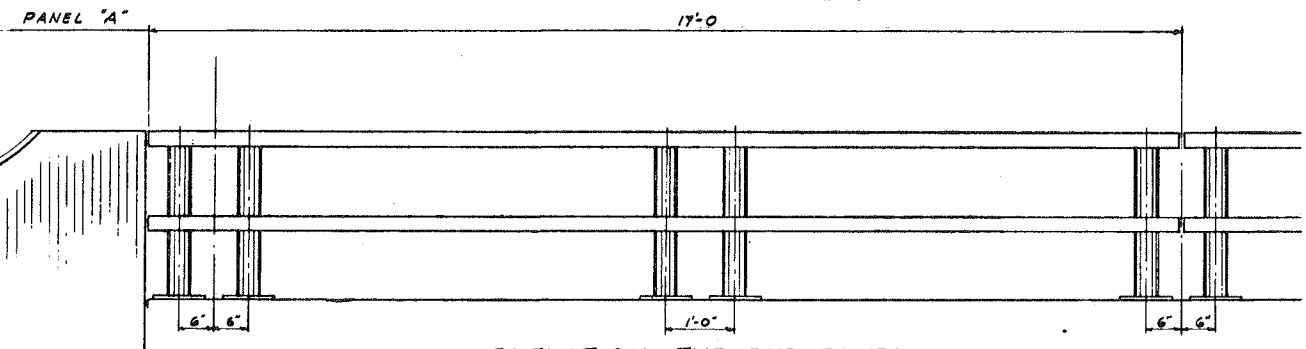
PLAN - NORTH RAIL



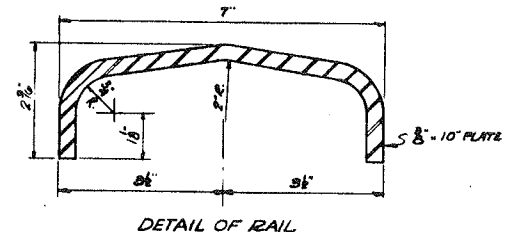
PLAN - SOUTH RAIL



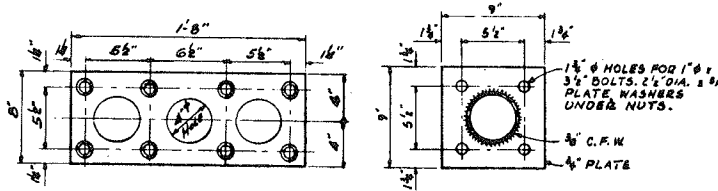
ELEVATION - TYR PANEL



ELEVATION - TYR END PANEL

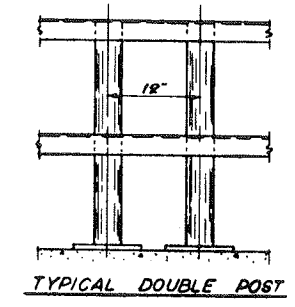


DETAIL OF RAIL

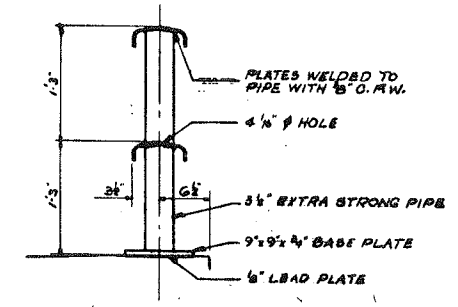


ANCHOR DEVICE AT DOUBLE POSTS

BASE PLATE ALL POSTS - SUPERSTRUCTURE



TYPICAL DOUBLE POST

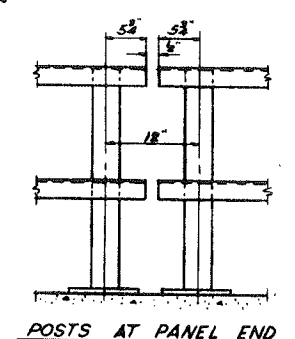


TYPICAL CROSS SECTION

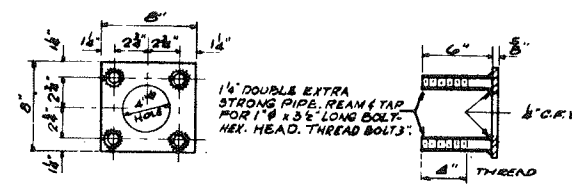
Note: Furnish 1 shim R. 9" x 9 1/2" x 1/8" and 2 shim R's 9" x 9 1/2" x 1/16" for 50% of rail posts. Holes in shim plates to match rail post base plates.

BILL OF MATERIAL

METAL HANDRAIL	234	1592
----------------	-----	------



POSTS AT PANEL END



ANCHOR DEVICE AT SINGLE POST

FOR INFORMATION ONLY

ILLINOIS DIVISION OF HIGHWAYS
 ROCKFORD BYPASS
 F. A. ROUTE 194
 PROJECT _____ SECTION 3B1
 WINNEBAGO COUNTY

HANDRAIL