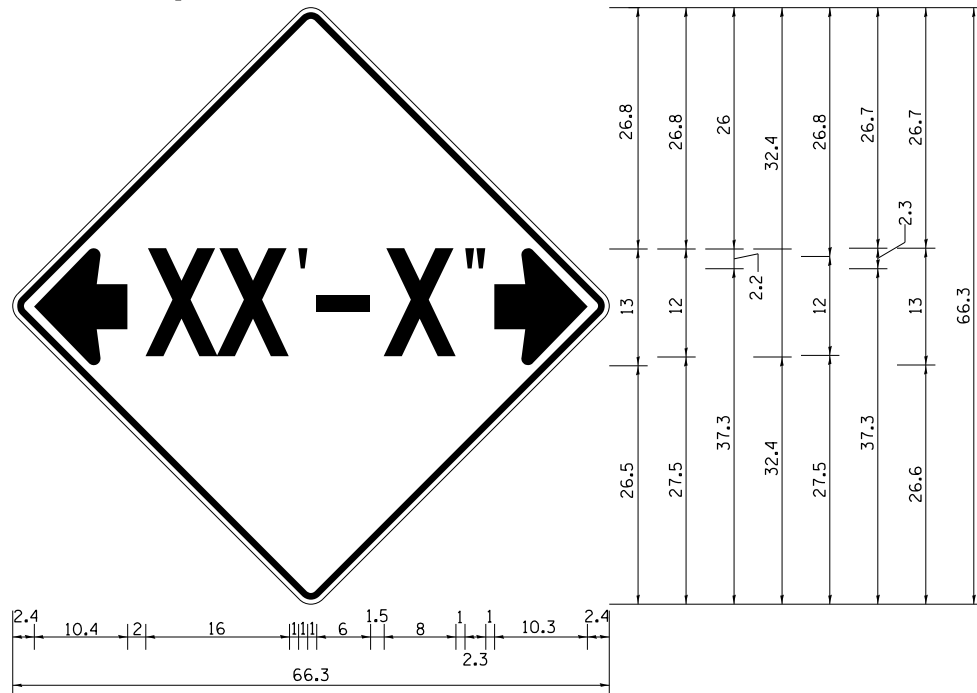
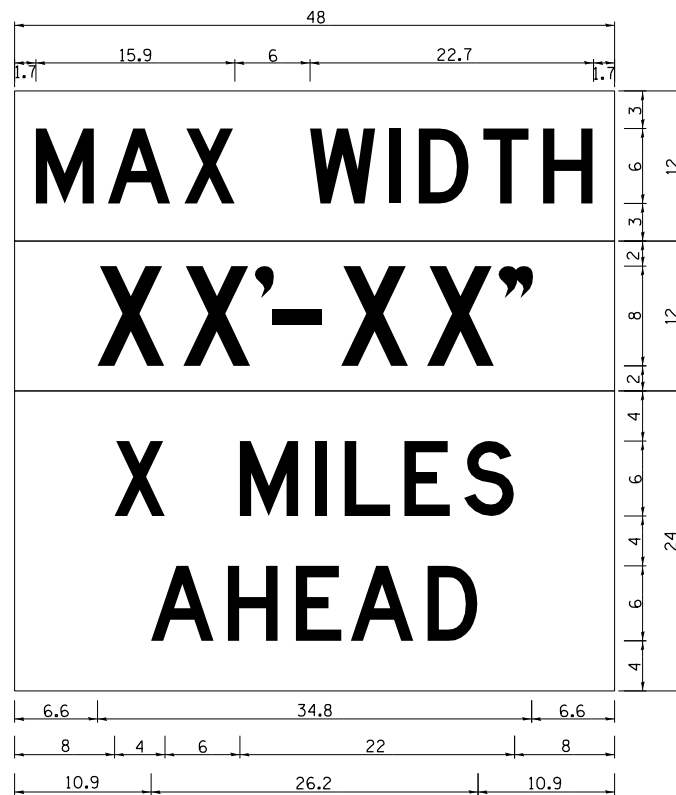


# INFORMATIONAL WARNING SIGN (FOR NARROW TRAVEL LANES)



**NOTES**  
 W12-2 - Horizontal Clearance Sign  
 48.0" across sides, 1.9" Radius,  
 0.8" Border, 0.5" Indent, Black on  
 Orange; Standard Arrow Custom  
 10.4" X 8.1" 180° Black 11 Inch  
 D Series Lettering; Standard Arrow  
 Custom 10.4" X 8.1" 0°



W12-1103 (Width is 8D);  
 No border, Black on White;  
 [MAX WIDTH] D;

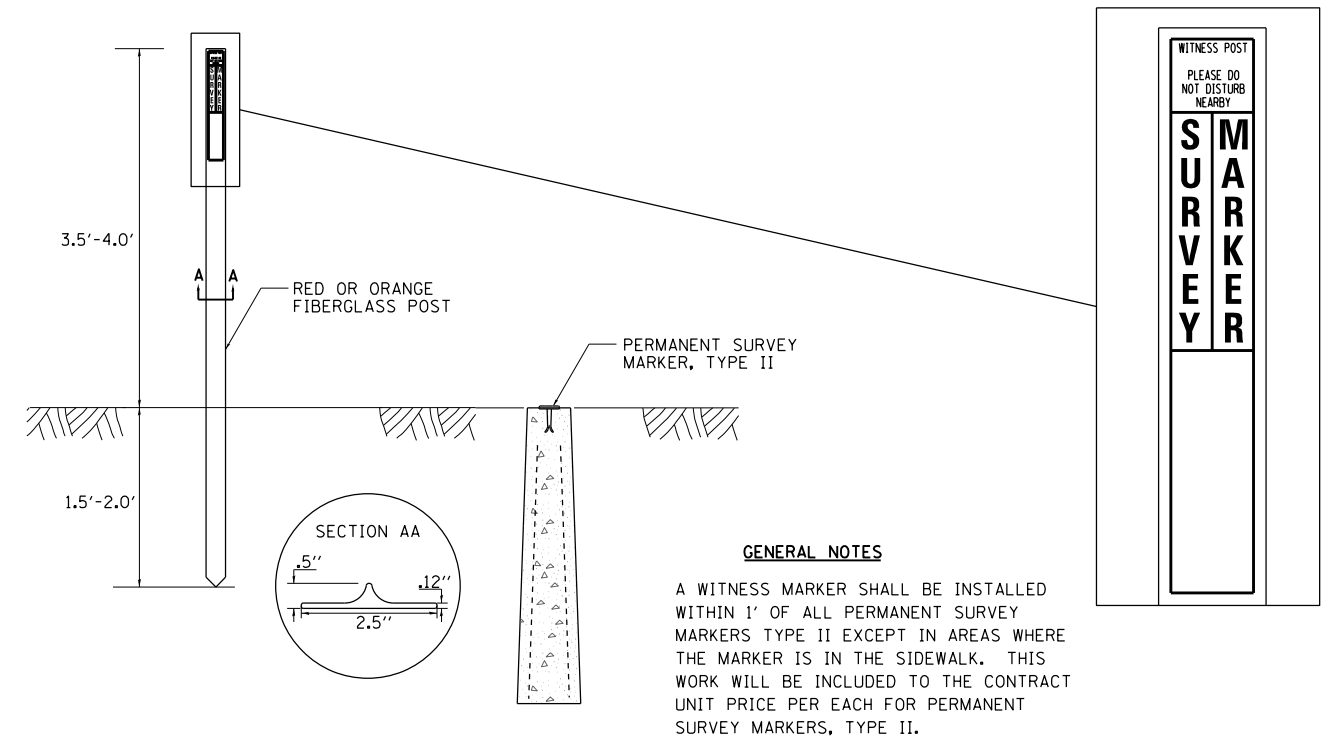
No border, Black on Orange;  
 [XX'-XX''] D;

No border, Black on White;  
 [X MILES] D; [AHEAD] D;

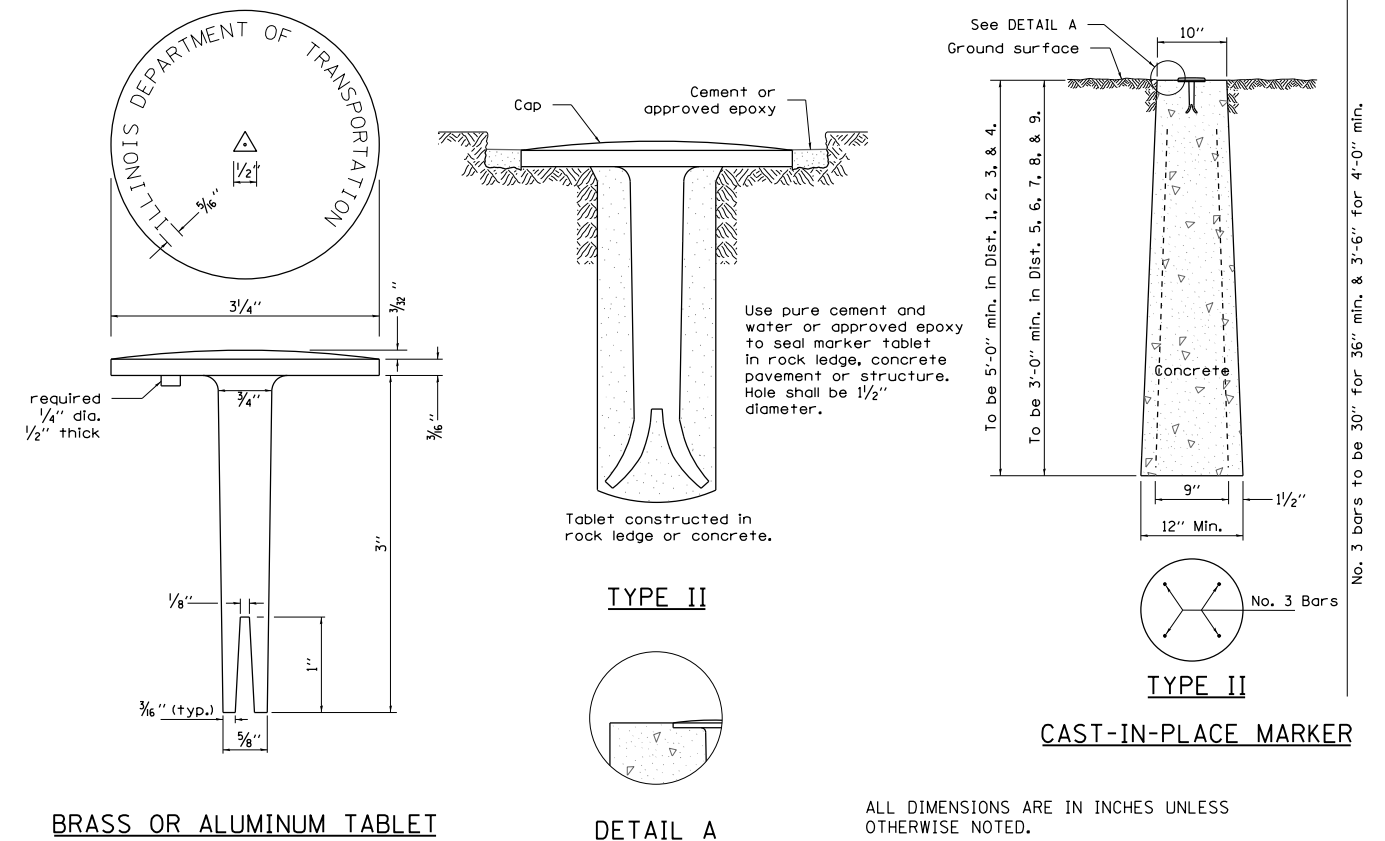
All work to furnish and install these signs shall be included in the cost of the Traffic Control Standards and shall not be paid for separately.

ALL DIMENSIONS ARE IN INCHES UNLESS OTHERWISE NOTED.

# WITNESS MARKER FOR PERMANENT SURVEY MARKERS, TYPE II



# PERMANENT SURVEY MARKERS, TYPE II



REVISED - 5-15-09

## INFORMATIONAL WARNING SIGNS (FOR NARROW TRAVEL LANES) 39.2

REVISED - 10-14-11

## WITNESS MARKER & PERMANENT SURVEY MARKERS, TYPE II 66.2

FILE NAME = D264019-ah-t-02-Details.dgn  
 MODEL = Default  
 PLOT DRIVER = V8...IDOT\_PDF...11x17.pltcfgr



USER NAME = rgoertz	DESIGNED -	REVISED -
PLOT SCALE = 48.0000' / in.	DRAWN -	REVISED -
PLOT DATE = 8/16/2013	CHECKED - CMS	REVISED -
	DATE - 07/01/2013	REVISED -

STATE OF ILLINOIS  
 DEPARTMENT OF TRANSPORTATION

REGION 2 / DISTRICT 2 STANDARD

SCALE: SHEET NO. OF SHEETS STA. TO STA.

F.A.P. RTE.	SECTION	COUNTY	TOTAL SHEETS	SHEET NO.
301	3BR & 3BR-1	WINNEBAGO	290	247
CONTRACT NO. 64D19				
FED. ROAD DIST. NO. ILLINOIS FED. AID PROJECT				