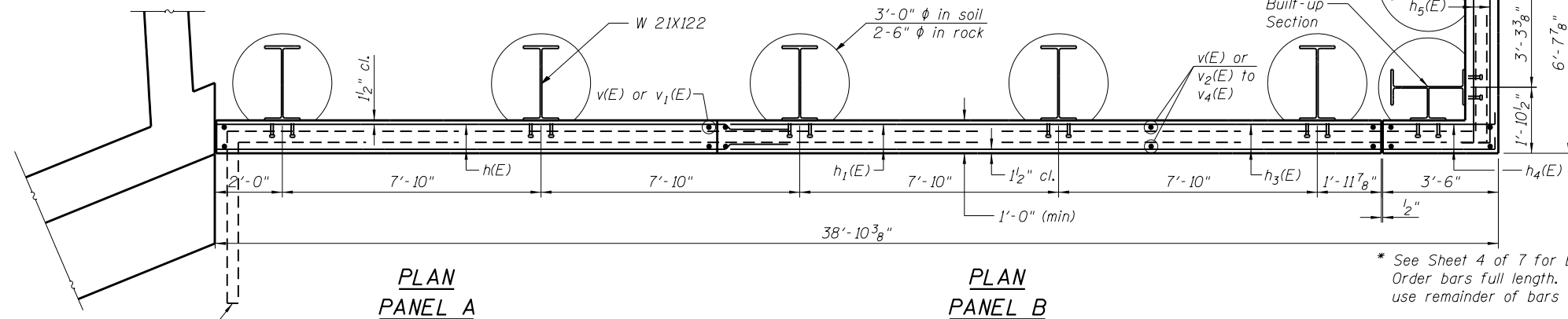


**ELEVATION  
PANEL A**

**MINIMUM BAR LAP**  
#5 bar = 3'-8"

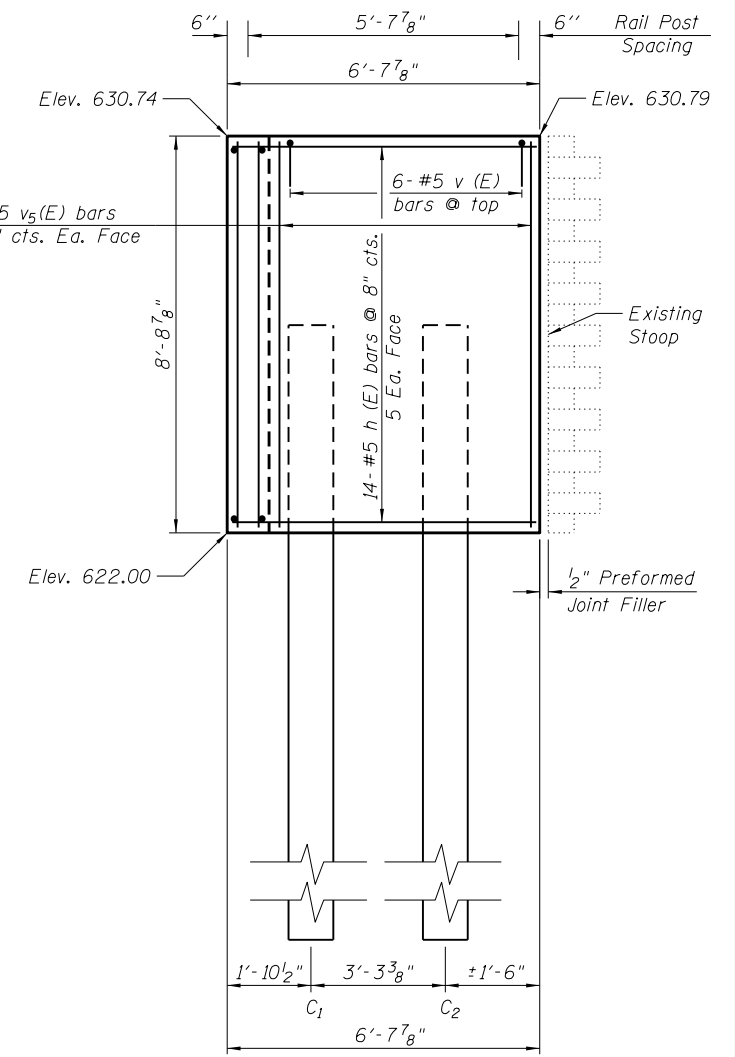


**PLAN  
PANEL A**

**PLAN  
PANEL B**



**PLAN  
PANEL C**



**ELEVATION  
PANEL C**

**TOTAL BILL OF MATERIAL**

BAR	NO.	SIZE	LENGTH	SHAPE
h(E)	32	#5	19'-2"	—
h1(E)	30	#5	19'-6"	—
h2(E)	2	#5	6'-9"	—
h3(E)	2	#5	8'-8"	—
h4(E)	28	#5	4'-0"	—
h5(E)	28	#5	7'-2"	—
v(E)	47	#5	2'-2"	—
v1(E)	16	#5	19'-4"	—
v2(E)	12	#5	16'-0"	—
v3(E)	3	#5	16'-4"	—
v4(E)	6	#5	16'-11"	—
v5(E)	20	#5	8'-4"	—
Concrete Structures			Cu Yds.	15.8
Reinf. Bars Epoxy Ctd.			Lbs.	2570

\* See Sheet 4 of 7 for Bar Cutting Diagram  
Order bars full length. Cut as shown and  
use remainder of bars in opposite face.

See Sheet 4 of 7 for Section A-A.

For Expansion and Construction Joint details see sheet 5 of 7.

FILE NAME = Z64E08-003-Panels ABC Horizontal.dgn  
MODEL = Default  
PLOT DRIVER = VBA\_IDOT\_PDF...11x17.pltcf9



USER NAME =	DESIGNED -	REVISED
PLOT SCALE =	CHECKED -	REVISED
PLOT DATE	DRAWN -	REVISED
	CHECKED -	REVISED

**STATE OF ILLINOIS  
DEPARTMENT OF TRANSPORTATION**

**PANELS A, B & C  
RETAINING WALL #1**

SHEET NO. 3 OF 7 SHEETS

F.A.P. RTE.	SECTION	COUNTY	TOTAL SHEETS	SHEET NO.
308	103BR-4	JO DAVIESS	159	113
CONTRACT NO. 64E08				

ILLINOIS FED. AID PROJECT