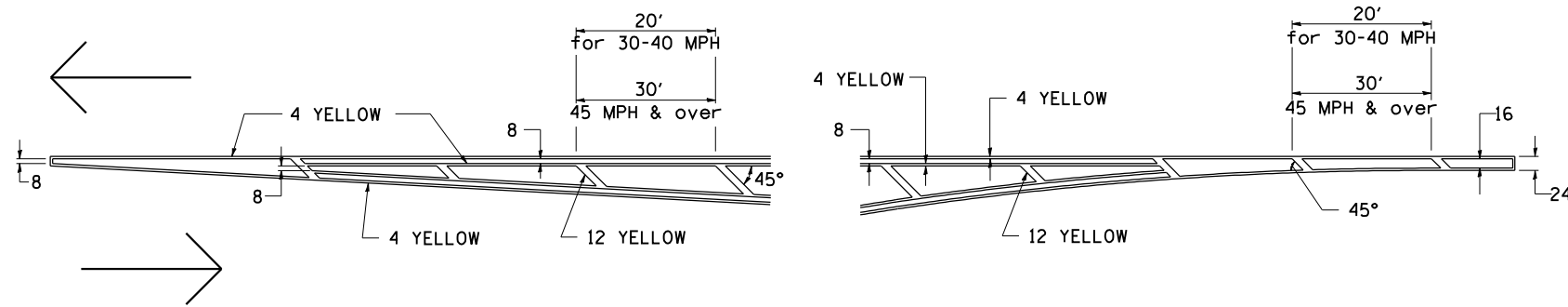
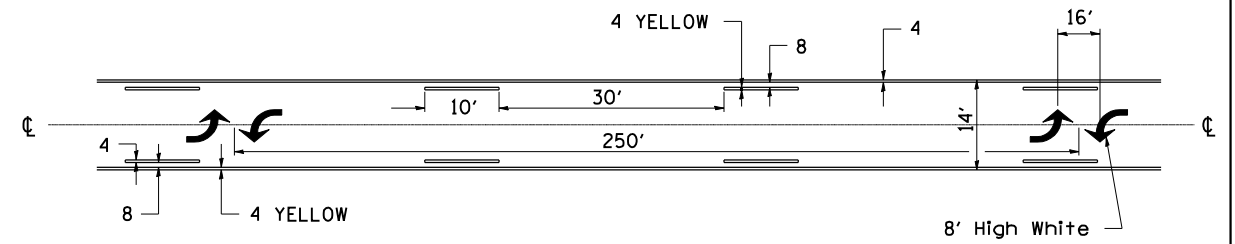


TYPICAL PAVEMENT MARKINGS

TYPICAL PAVEMENT MARKING FOR FLUSH MEDIAN AT LEFT TURN LANE

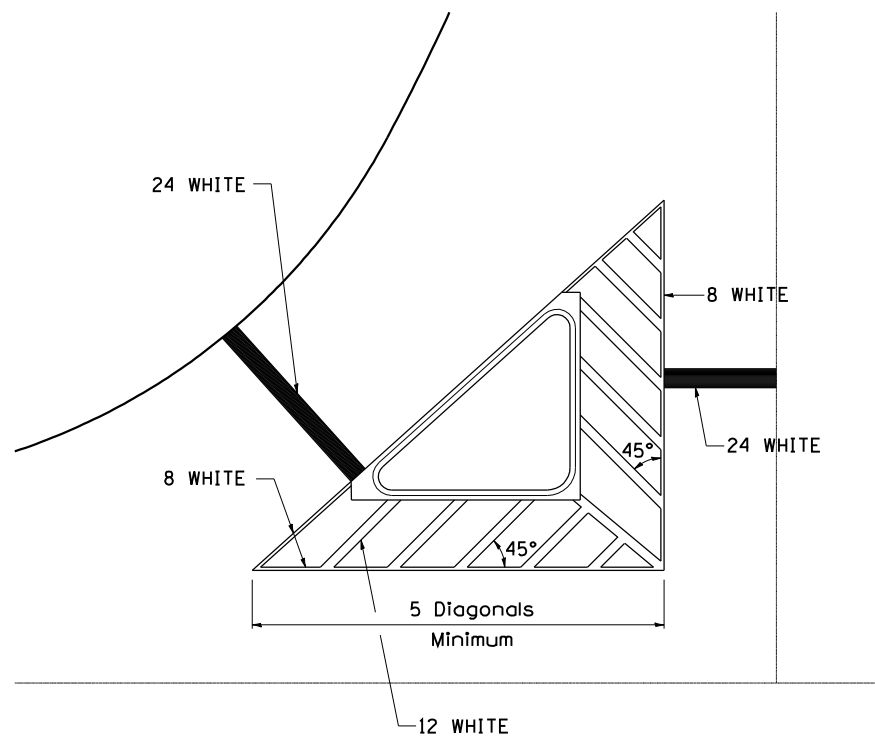


MEDIAN PAVEMENT MARKING

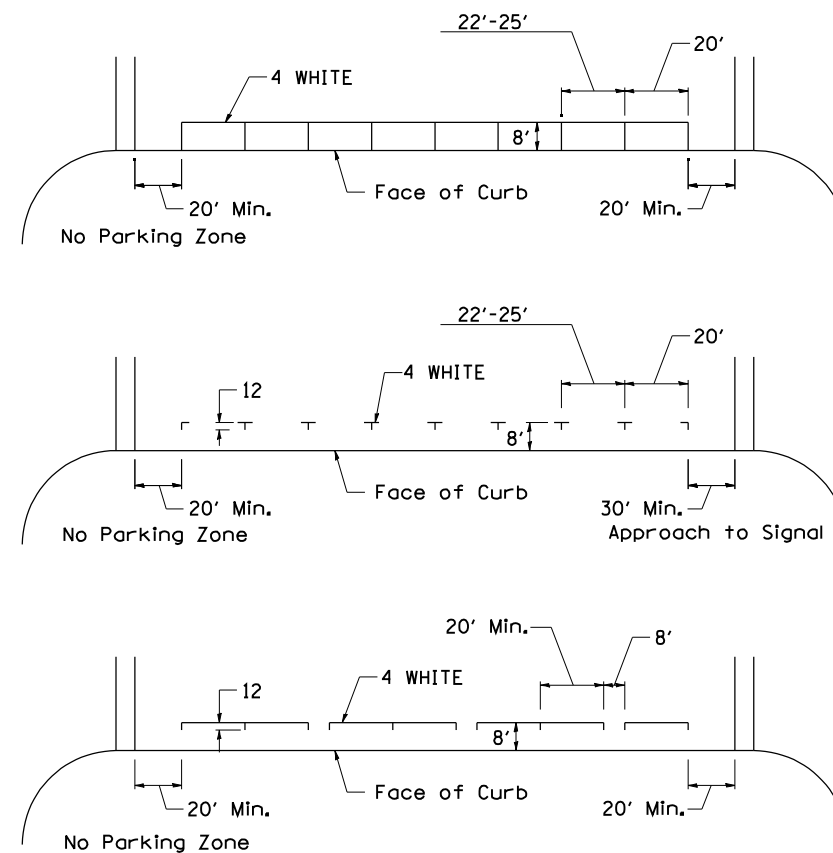


•• ALL DIMENSIONS ARE IN INCHES UNLESS OTHERWISE NOTED.

TYPICAL ISLAND OFFSET SHOULDER WIDTH

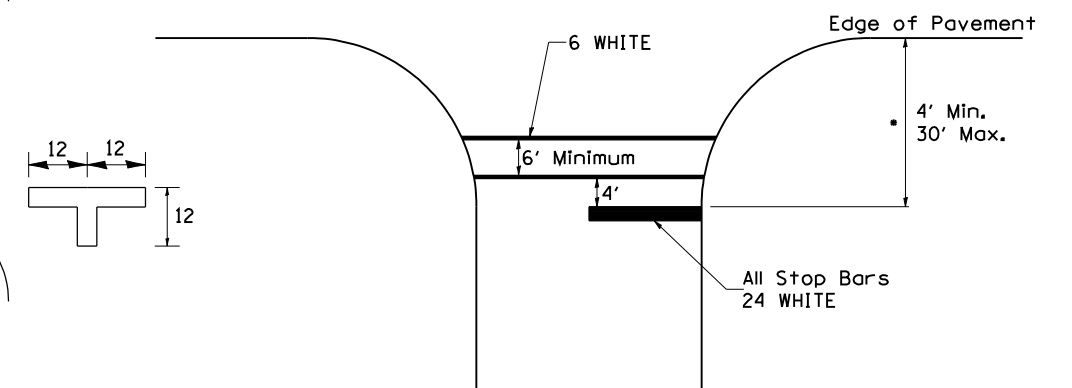


TYPICAL PARKING SPACING



STANDARD CROSSWALK MARKING

See Schedules for Locations



• Distance to the nearest edge of the intersecting roadway in the absence of a marked crosswalk.

FILE NAME =	USER NAME = gjameson	DESIGNED -	REVISED - 3-05-12	STATE OF ILLINOIS DEPARTMENT OF TRANSPORTATION	REGION 2 / DISTRICT 2 STANDARD	F.A.P. RTE.	SECTION	COUNTY	TOTAL SHEETS	SHEET NO.	
L:\Jobs\IDOT-D-2\7308.01\CADD\CADD Sheets	\Z64E08-SHT-D2.STANDARDS.dgn	DRAWN -	REVISED -			308	103BR-4	JO DAVIESS	159	157	
	PLOT SCALE = 1/8" = 1' IN.	CHECKED -	REVISED -			CONTRACT NO. 64E08					
	PLOT DATE = 8/5/2013	DATE -	REVISED -			FED. ROAD DIST. NO. ILLINOIS FED. AID PROJECT					