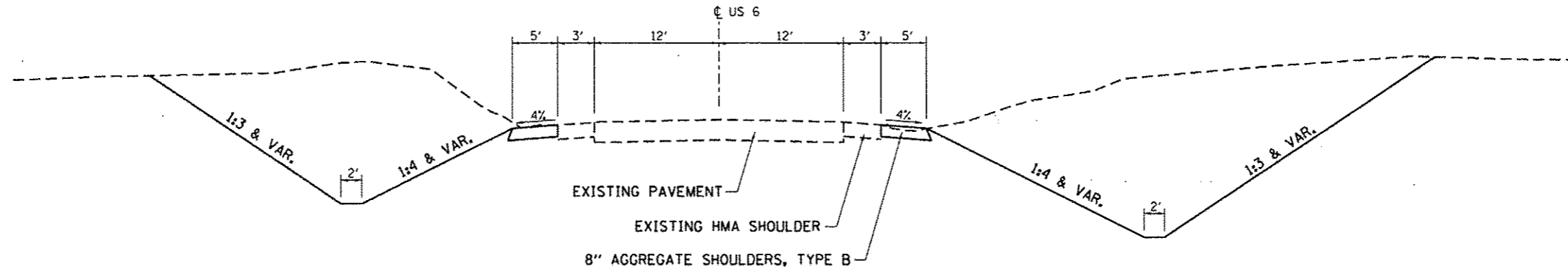


TYPICAL SECTIONS

STA. 316+50 - 317+83.4
 STA. 318+66.6 - 324+39.7
 STA. 324+78.8 - 326+25
 STA. 337+75 - 338+93.3
 STA. 339+36.6 - 340+50
 STA. 378+00 - 378+89.4
 STA. 379+24.4 - 383+65
 STA. 384+06.6 - 386+50

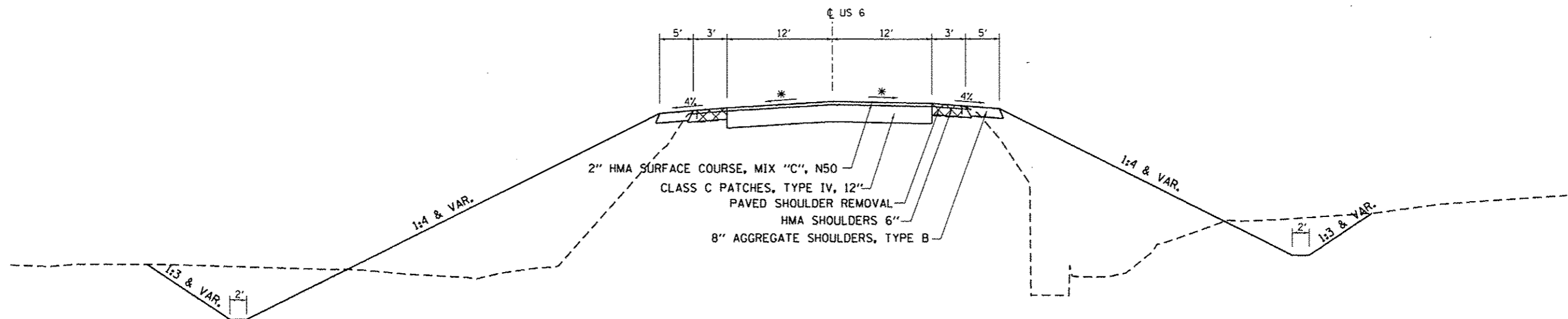
STA. 393+00 - 393+36.66
 STA. 393+92.35 - 396+81.6
 STA. 397+53.5 - 398+75
 STA. 461+25 - 462+15.5
 STA. 462+57.1 - 466+09.8
 STA. 467+50.2 - 479+08.8 *
 STA. 479+63.6 - 481+50
 STA. 490+75 - 491+91
 STA. 492+76.0 - 493+75

* 467+50 - 478+25 RIGHT SIDE ONLY



STA. 317+83.4 - 318+66.6
 STA. 324+39.7 - 324+78.8
 STA. 338+93.3 - 339+36.6
 STA. 378+89.4 - 379+24.4
 STA. 383+65.0 - 384+06.60
 STA. 393+36.66 - 393+92.35
 STA. 396+81.6 - 397+53.5
 STA. 462+02.0 - 462+71.0
 STA. 466+09.8 - 467+50.2
 STA. 479+08.8 - 479+63.6
 STA. 491+91.0 - 492+76.0

* MATCH EXISTING CROSS SLOPE, MIN 1/8" PER FT.
112 LBS/SO YD/IN



FILE NAME :	USER NAME = hogansonjd	DESIGNED -	REVISED -
C:\pwork\psidot\cushmanb\10169166\1028889-ah-typical.dgn		DRAWN -	REVISED -
PLOT SCALE = 100.0000' / in.		CHECKED -	REVISED -
PLOT DATE = Wed Oct 24 11:13:34 2012		DATE -	REVISED -

STATE OF ILLINOIS
DEPARTMENT OF TRANSPORTATION

TYPICAL SECTIONS

SCALE: SHEET NO. OF SHEETS STA. TO STA.

F.A.S. RTE.	SECTION	COUNTY	TOTAL SHEETS	SHEET NO.
226	3T & 3BR-1	HENRY	210	10
CONTRACT NO. 64F25				
ILLINOIS FED. AID PROJECT				