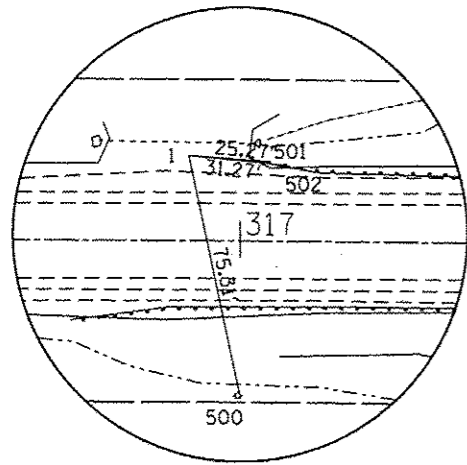
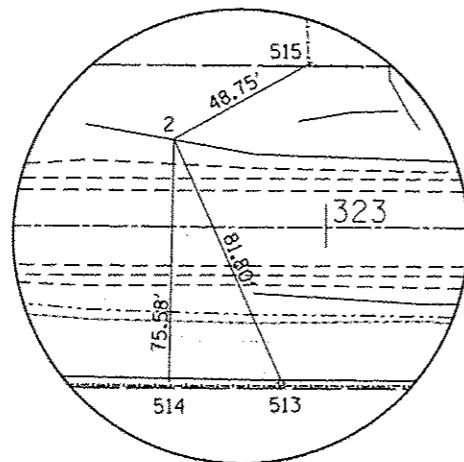


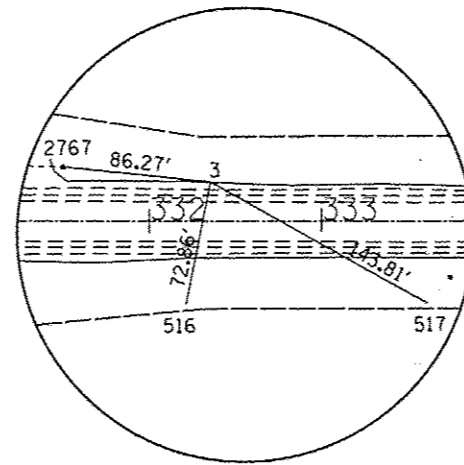
HORIZONTAL & VERTICAL CONTROL



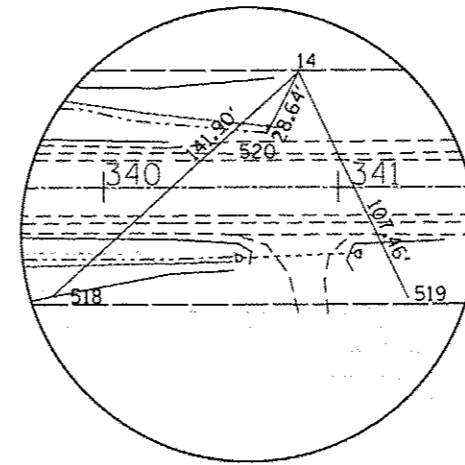
HORIZONTAL CONTROL POINT NO. 1



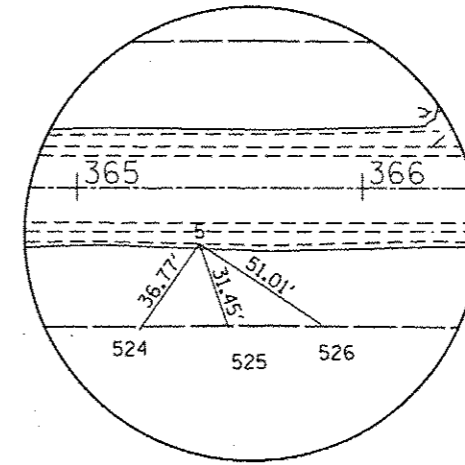
HORIZONTAL CONTROL POINT NO. 2



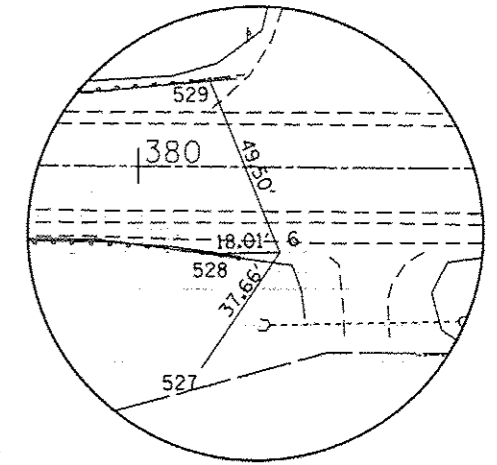
HORIZONTAL CONTROL POINT NO. 3



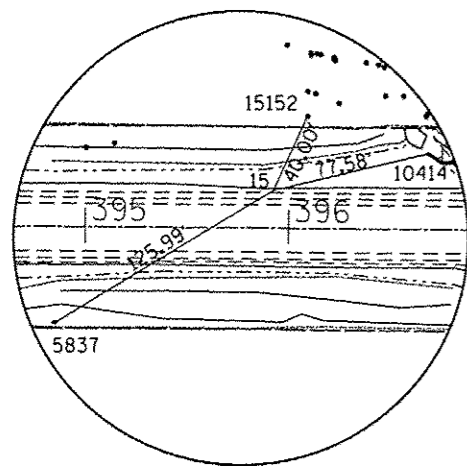
HORIZONTAL CONTROL POINT NO. 14



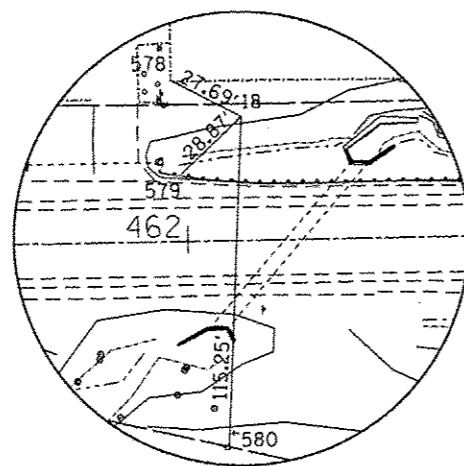
HORIZONTAL CONTROL POINT NO. 5



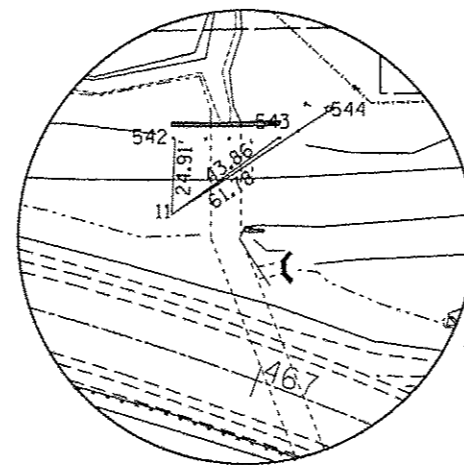
HORIZONTAL CONTROL POINT NO. 6



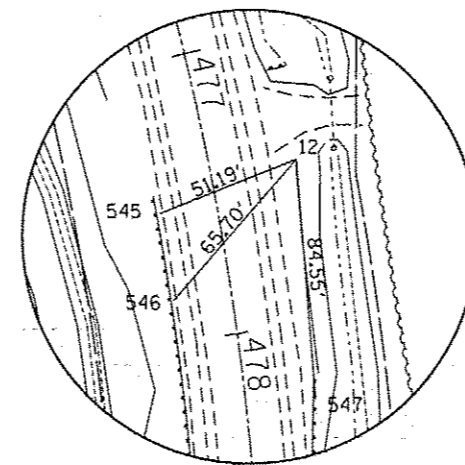
HORIZONTAL CONTROL POINT NO. 15



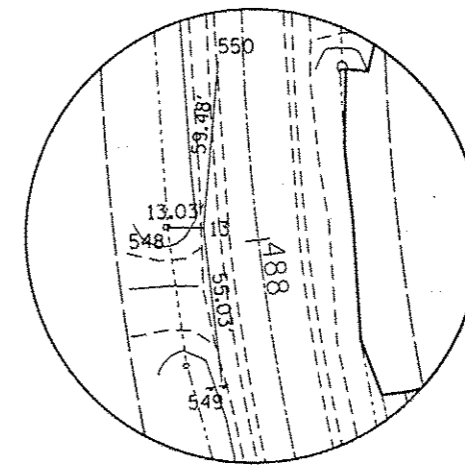
HORIZONTAL CONTROL POINT NO. 18



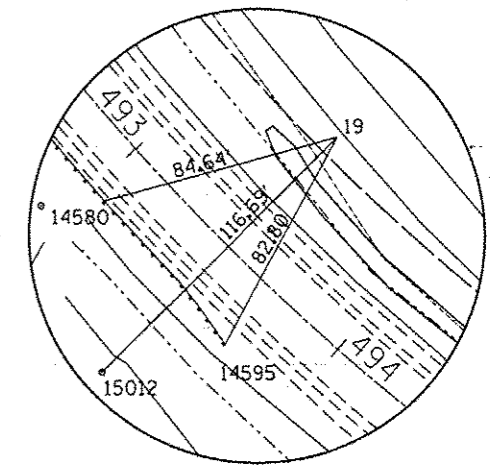
HORIZONTAL CONTROL POINT NO. 11



HORIZONTAL CONTROL POINT NO. 12



HORIZONTAL CONTROL POINT NO. 13



HORIZONTAL CONTROL POINT NO. 19

FILE NAME : c:\pwork\pvidot\cushmanb\16169166\022	USER NAME : cushmanbw	DESIGNED -	REVISED -	STATE OF ILLINOIS DEPARTMENT OF TRANSPORTATION	HORIZONTAL & VERTICAL CONTROL SHEETS			F.A.S. RTE. 226	SECTION 3T & 3BR-1	COUNTY HENRY	TOTAL SHEETS 210	SHEET NO. 22
PLOT SCALE : 100,0000' / in.		DRAWN -	REVISED -		SCALE:	SHEET	OF	SHEETS	STA.	TO STA.	CONTRACT NO. 64F25	
PLOT DATE : Fri Oct 19 12:01:07 2012		CHECKED -	REVISED -		ILLINOIS FED. AID PROJECT							
		DATE -	REVISED -									