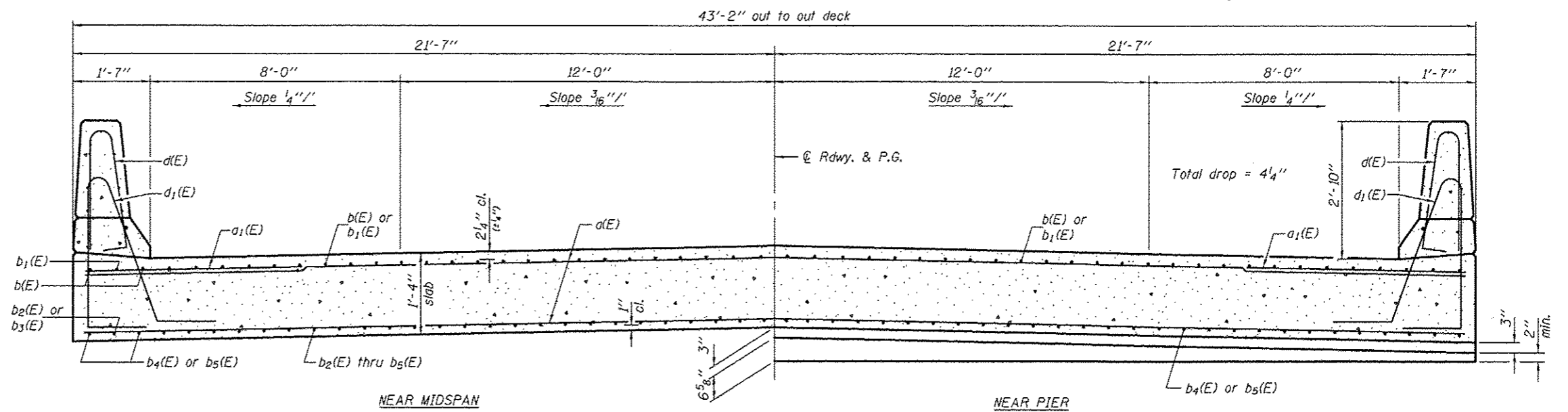


PLAN



CROSS SECTION  
(Looking east)

Notes: See sheet 8 of 15 for superstructure details and Bill of Material.  
See sheet 8 of 15 for parapet reinforcement.  
See sheet 8 of 15 for Sections A-A & B-B.  
Bars indicated thus 44 x 2-#8 etc. indicates 44 lines of bars with 2 lengths per line.

DESIGNED - FESSEHA TEKLEHAIMANOT	EXAMINED - <i>Jayne F. Jeff</i>	DATE - December 4, 2012
CHECKED - STEPHEN M. RYAN	ACTING ENGINEER OF BRIDGE DESIGN	
DRAWN - h.t. duong	PASSED - <i>Carl Perry</i>	REVISED
CHECKED - GRA/FT	ACTING ENGINEER OF BRIDGES AND STRUCTURES	REVISED

STATE OF ILLINOIS  
DEPARTMENT OF TRANSPORTATION

SUPERSTRUCTURE  
STRUCTURE NO. 037-0178  
SHEET NO. 7 OF 15 SHEETS

F.A.S. RTE. 226	SECTION 3T & 3BR-1	COUNTY HENRY	TOTAL SHEETS 210	SHEET NO. 48
CONTRACT NO. 64F25				
ILLINOIS FED. AID PROJECT				