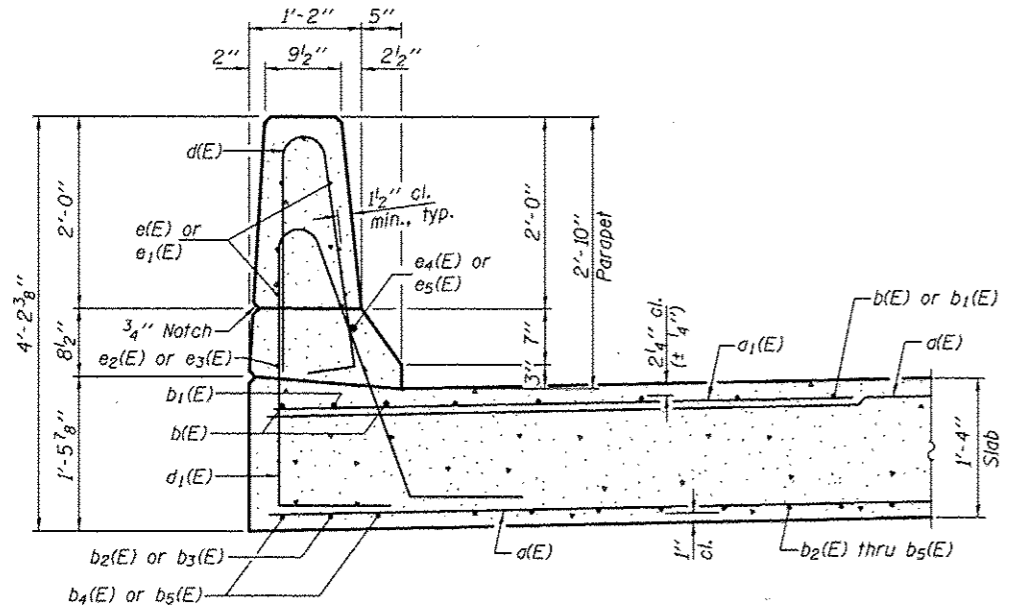
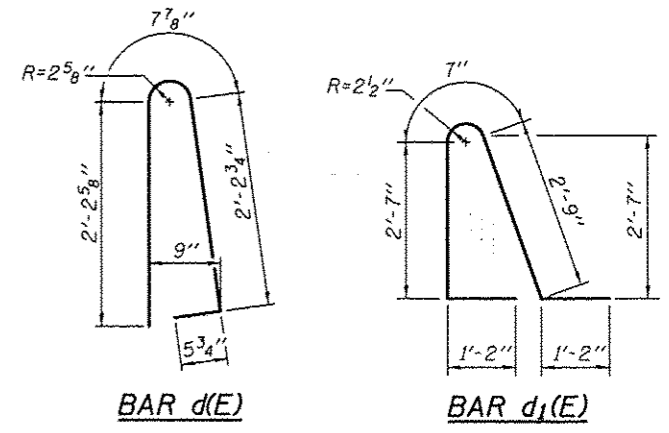
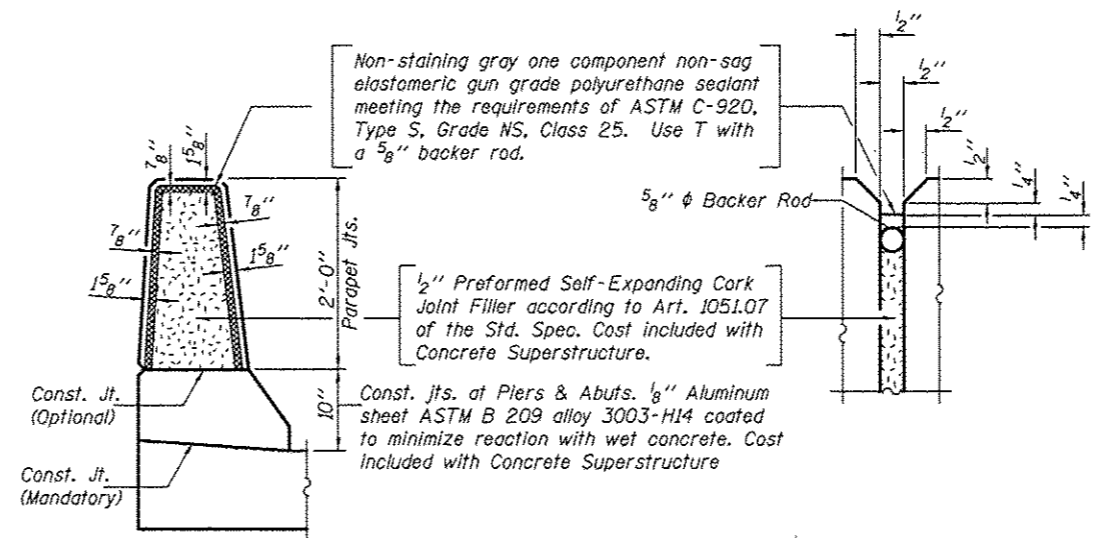


INSIDE ELEVATION OF PARAPET
(North parapet - Looking north; South parapet similar)



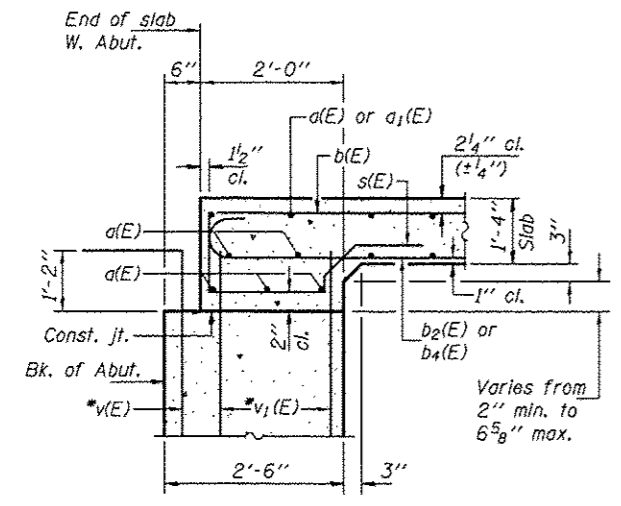
SECTION THRU PARAPET



PARAPET JOINT DETAILS

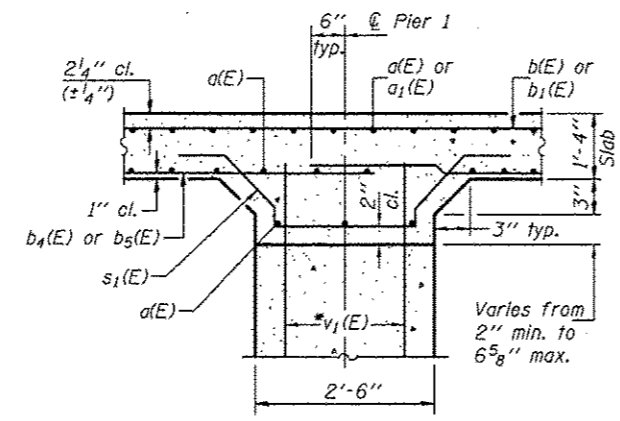
BILL OF MATERIAL

Bar	No.	Size	Length	Shape
a(E)	166	#5	42'-10"	—
d1(E)	128	#6	6'-6"	—
b(E)	88	#8	42'-6"	—
b1(E)	86	#8	33'-10"	—
b2(E)	86	#8	23'-7"	—
b3(E)	43	#8	23'-6"	—
b4(E)	88	#8	26'-1"	—
b5(E)	44	#8	32'-0"	—
d(E)	178	#5	5'-7"	—
d1(E)	178	#5	8'-3"	—
e(E)	56	#4	12'-1"	—
e1(E)	28	#4	15'-3"	—
e2(E)	4	#4	24'-5"	—
e3(E)	2	#4	30'-8"	—
e4(E)	4	#8	24'-5"	—
e5(E)	2	#8	30'-8"	—
s(E)	88	#5	5'-6"	—
s1(E)	88	#5	6'-8"	—
Reinforcement Bars, Epoxy Coated			Pound	49370
Concrete Superstructure			Cu. Yds.	199.9

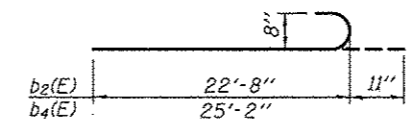


SECTION A-A

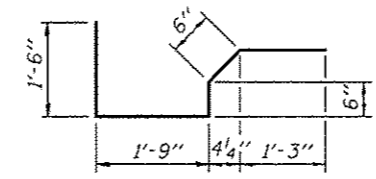
*v(E) & v1(E) bars billed with abutments & piers



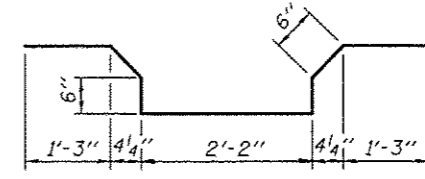
SECTION B-B



BARS b2(E) & b4(E)



BAR s(E)



BAR s1(E)