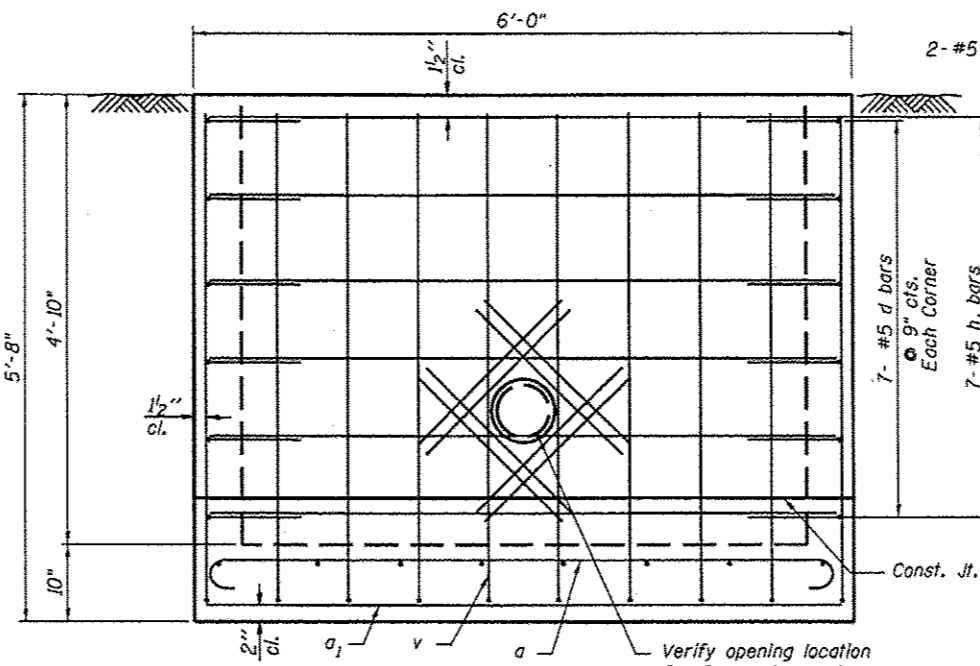
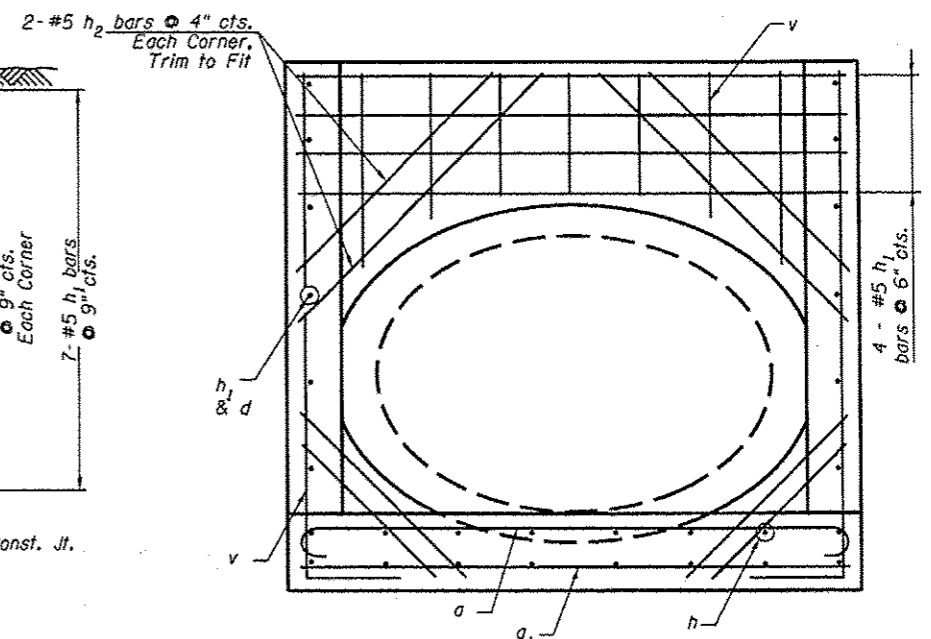


SECTION A-A

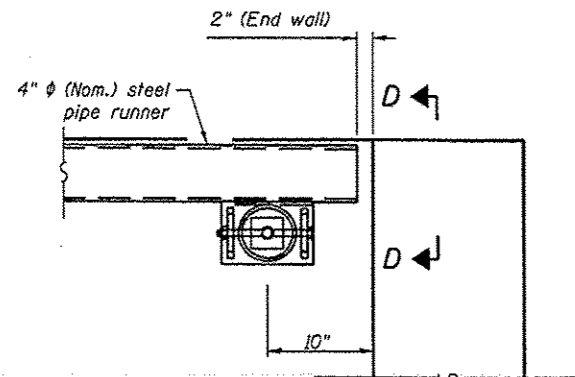


VIEW B-B

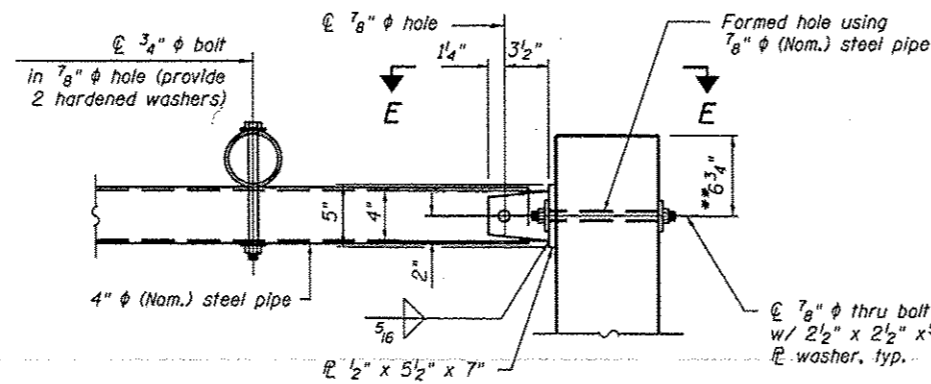


SECTION C-C

Trim a, h, v, and h₂ bars around pipe opening

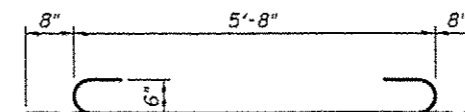


DETAIL A

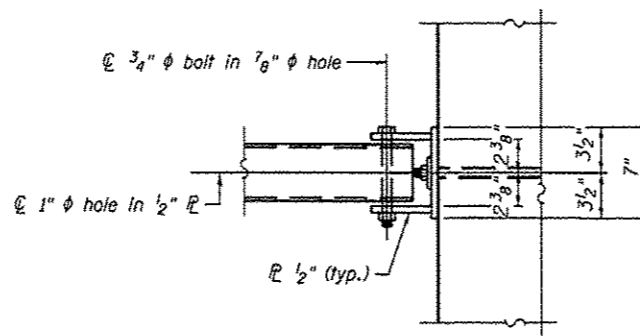


SECTION D-D

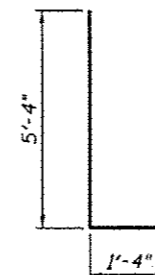
** Measured perpendicular to top of sidewall. In addition, formed hole shall be located a minimum of 6" measured horizontally from any vertical joints necessary for construction of the culvert extension with drop box.



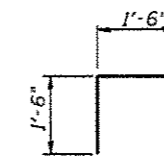
BAR a



VIEW E-E



BAR v



BAR d

BILL OF MATERIAL
(For Information Only)

Bar	No.	Size	Length	Shape
a	12	#5	7'-0"	U
a ₁	9	#5	5'-8"	—
d	28	#5	3'-0"	+
h	14	#4	5'-8"	—
h ₁	25	#5	5'-8"	—
h ₂	8	#5	3'-11"	—
h ₃	8	#5	3'-0"	—
v	32	#5	6'-8"	L
DESCRIPTION		UNIT	QTY.	
* Concrete Structures		Cu. Yd.	2.8	
* Reinforcement Bars		Pound	710	
** 4" Galv. Steel Pipe		3 @	4'-8"	
** 3/4" Galv. Steel Bolts		Each	2	
** Side Assembly		Each	4	

*Included in Drop Box, No. 3

** Included in Traversable Pipe Grates with all hardware and steel for Assemblies

\\hrgreen\share\design\CAD\193228\14_CAD_Sheets\64F25_Details_No_3.dgn



USER NAME = STLCD.design.consultant	DESIGNED - KJB	REVISED -
PLOT SCALE = NTS	CHECKED - DFM	REVISED -
PLOT DATE = 10/11/2012	DRAWN - KJB	REVISED -
	CHECKED - DFM	REVISED -

STATE OF ILLINOIS
DEPARTMENT OF TRANSPORTATION

DETAILS
DROP BOX NO. 3

SHEET NO. S-2 OF S-2 SHEETS

F.A.S. RTE. 226	SECTION (3T & 3) BR-1	COUNTY HENRY	TOTAL SHEETS NO. 210	SHEET NO. 09
			CONTRACT NO. 64F25	
ILLINOIS FED. AID PROJECT				