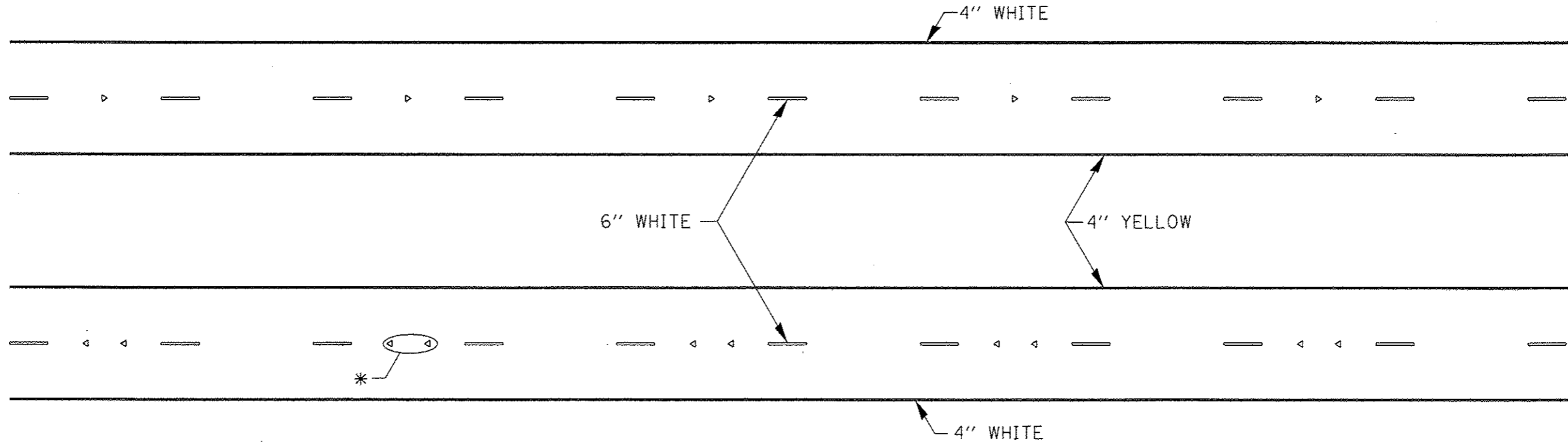
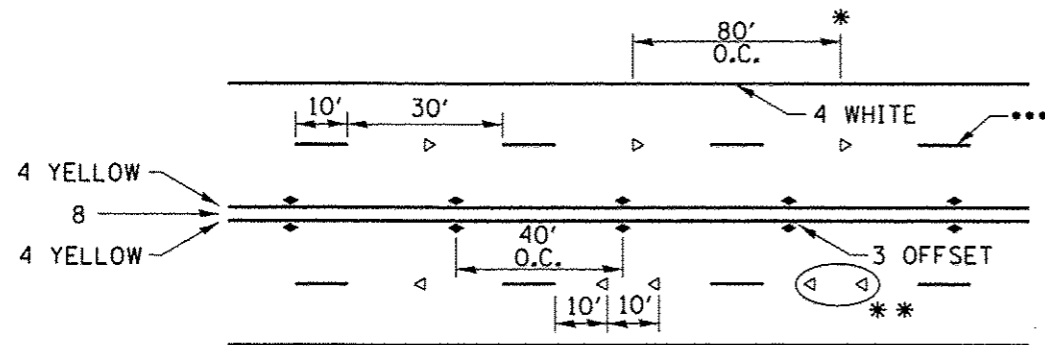


TYPICAL PAVEMENT MARKINGS



MULTI-LANE / DIVIDED



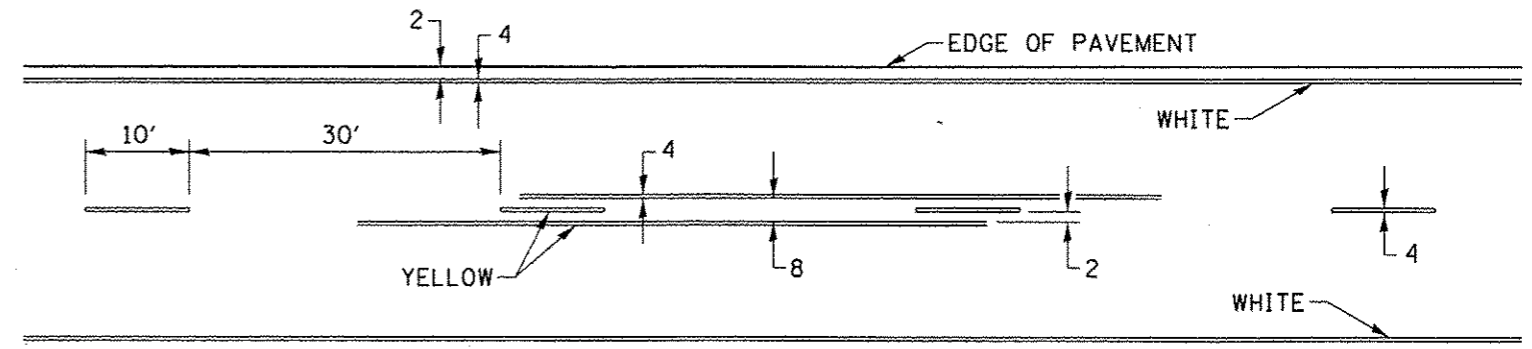
- REDUCE TO 40' O.C. ON CURVES WHERE ADVISORY SPEEDS ARE 10 MPH LOWER THAN POSTED SPEEDS.
- USE DOUBLE MARKERS WHEN ADT \geq 25,000
- CENTERLINE SKIP DASH PAVEMENT MARKING SPEED LIMIT LESS THAN 40 MPH USE 4" LINE SPEED LIMIT 40 MPH AND OVER USE 6" LINE

MULTI-LANE / UNDIVIDED & ONE WAY

(FOR MULTI-LANE UNDIVIDED HIGHWAYS USE THIS DETAIL NOT HIGHWAY STANDARD 781001)

SYMBOLS

TYPICAL PAVEMENT MARKING FOR TWO LANE SECTION - NO PASSING ZONES



FILE NAME *	USER NAME * cushmanbv	DESIGNED -	REVISED - 3-5-12	STATE OF ILLINOIS DEPARTMENT OF TRANSPORTATION	REGION 2 / DISTRICT 2 STANDARD			F.A.S. RTE.	SECTION	COUNTY	TOTAL SHEETS	SHEET NO.
ca:\pw\work\pavido\cushmanbv\d0169166\0209989-ah\detail.dgn	DRAWN -	REVISED -	226					3T & 3BR-1	HENRY	210	108	
PLOT SCALE * 20.0000' / in.	CHECKED -	REVISED -	FED. ROAD DIST. NO.			ILLINOIS FED. AID PROJECT						
PLOT DATE * Fri Oct 19 13:17:35 2012	DATE -	REVISED -	SCALE:		SHEET NO.	OF SHEETS	STA.	TO STA.	CONTRACT NO. 64F25			