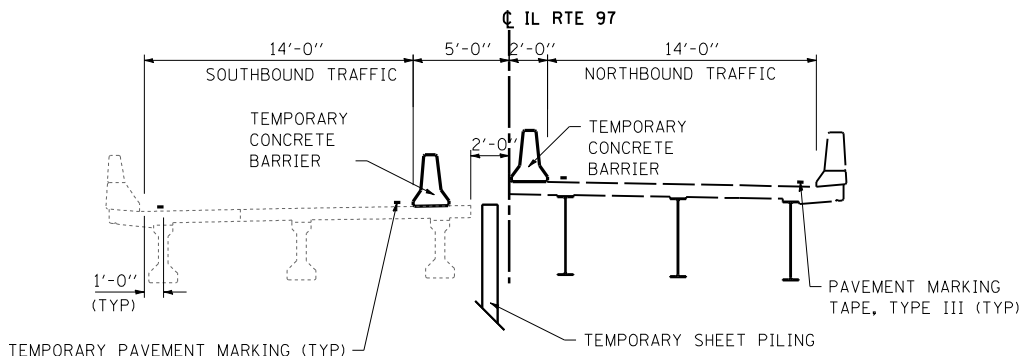
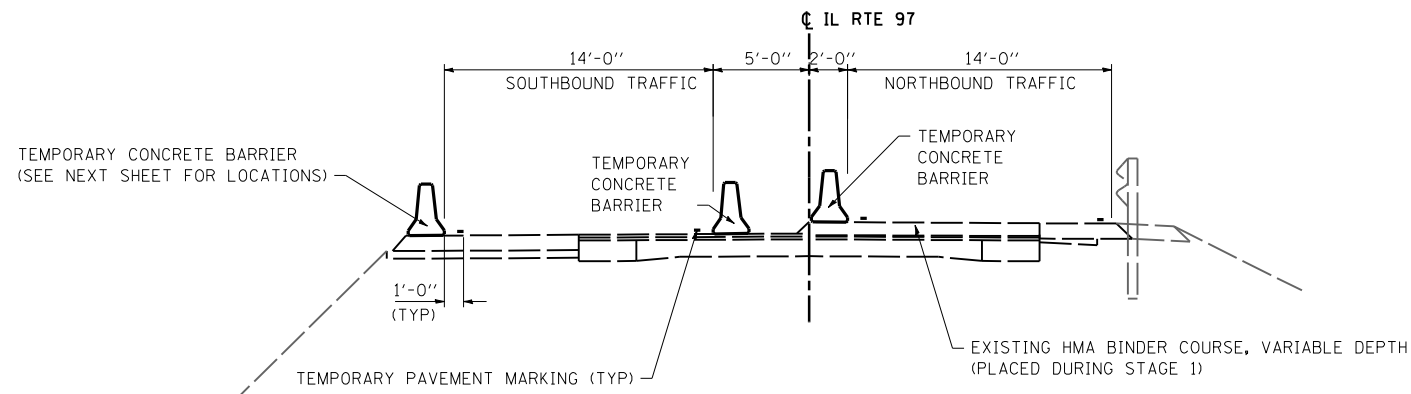


WINTER SHUTDOWN BRIDGE TYPICAL SECTION - PPC DECK BEAM SPANS
 (LOOKING NORTH AT STRUCTURE)
 FOR INFORMATION ONLY



WINTER SHUTDOWN BRIDGE TYPICAL SECTION - PPC I-BEAM SPANS
 (LOOKING NORTH AT STRUCTURE)
 FOR INFORMATION ONLY



WINTER SHUTDOWN TYPICAL SECTION
 (SOUTH OF STRUCTURE, LOOKING NORTH)

SUGGESTED WINTER SHUTDOWN

1. THE CONTRACTOR IS REQUIRED TO REOPEN ALL LANES TO TRAFFIC DURING THE WINTER SHUTDOWN PERIOD.
2. ADJUST THE TEMPORARY CONCRETE BARRIER AS SHOWN ON THE NEXT SHEET.
3. REMOVE THE EXISTING PAVEMENT MARKINGS AND PLACE TEMPORARY PAVEMENT MARKINGS AS SHOWN ON THE NEXT SHEET.
4. DISCONNECT THE TEMPORARY TRAFFIC SIGNAL SYSTEM AND COVER OR REMOVE SIGNAL HEADS FOR WINTER SHUTDOWN, NO ADDITIONAL COMPENSATION WILL BE ADDED.

FILE NAME = D468759-sht-staging.dgn	USER NAME = default	DESIGNED - RGV	REVISED -	STATE OF ILLINOIS DEPARTMENT OF TRANSPORTATION	WINTER SHUTDOWN TYPICAL SECTIONS			F.A.P. RTE.	SECTION	COUNTY	TOTAL SHEETS	SHEET NO.
	PLOT TIME = 8:52:27 AM	DRAWN - RGV	REVISED -					626	(44-B-1) BR	KNOX	122	26
	PLOT SCALE = 100.0000' / IN.	CHECKED - BPS	REVISED -		SCALE:	SHEET 5	OF 6	SHEETS	STA.	TO STA.	CONTRACT NO. 68759	
	PLOT DATE = 8/9/2013	DATE -	REVISED -								ILLINOIS FED. AID PROJECT	