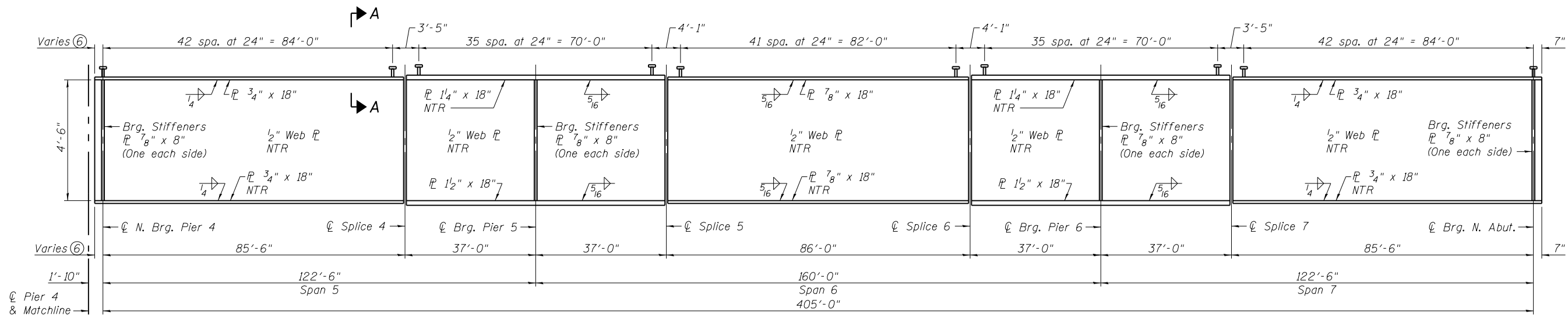


PARTIAL FRAMING PLAN



PARTIAL GIRDER ELEVATION

Notes:

- ① Load carrying components designated "NTR" shall conform to the Impact Testing Requirement, Zone 2.
- ② All cross frames shall be installed as steel is erected and secured with erection pins and bolts except as otherwise noted. Individual cross frames at supports may be temporarily disconnected to install bearing anchor rods.
- ③ For Section A-A, see sheet 30 of 62.
- ④ For splice details, see sheet 31 of 62.
- ⑤ For cross frame details, see sheets 32 and 33 of 62.
- ⑥ For Girder End Treatment Detail, see sheet 30 of 62.
- ⑦ For girder coating requirements, see General Notes on sheet 2 of 62 and Special Provisions.



USER NAME =	DESIGNED - SJN	REVISED
CHECKED - JAD	REVISIONS	
PLOT SCALE =	DRAWN - SJN	REVISED
PLOT DATE =	CHECKED - JAD	REVISED

**STATE OF ILLINOIS
DEPARTMENT OF TRANSPORTATION**

**FRAMING PLAN AND GIRDER DETAILS - SPANS 5 THRU 7
STRUCTURE NO. 048-0100**

SHEET NO. 29 OF 62 SHEETS

F.A.P. RTE.	SECTION	COUNTY	TOTAL SHEETS	SHEET NO.
626	(44-B-1)BR	KNOX	122	59
CONTRACT NO. 68759				
ILLINOIS FED. AID PROJECT				