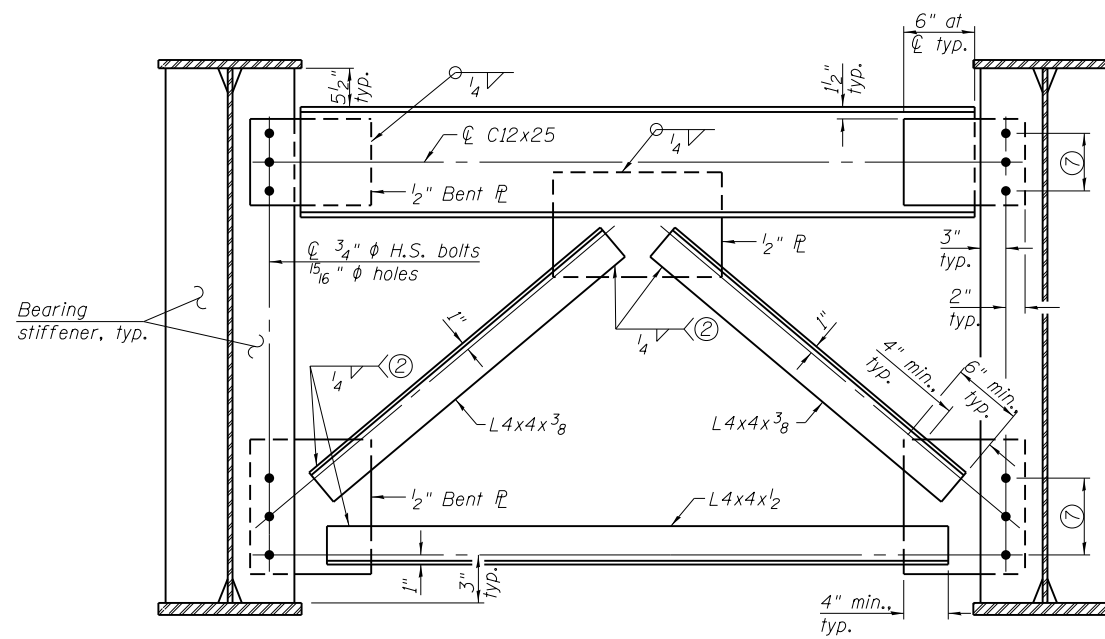


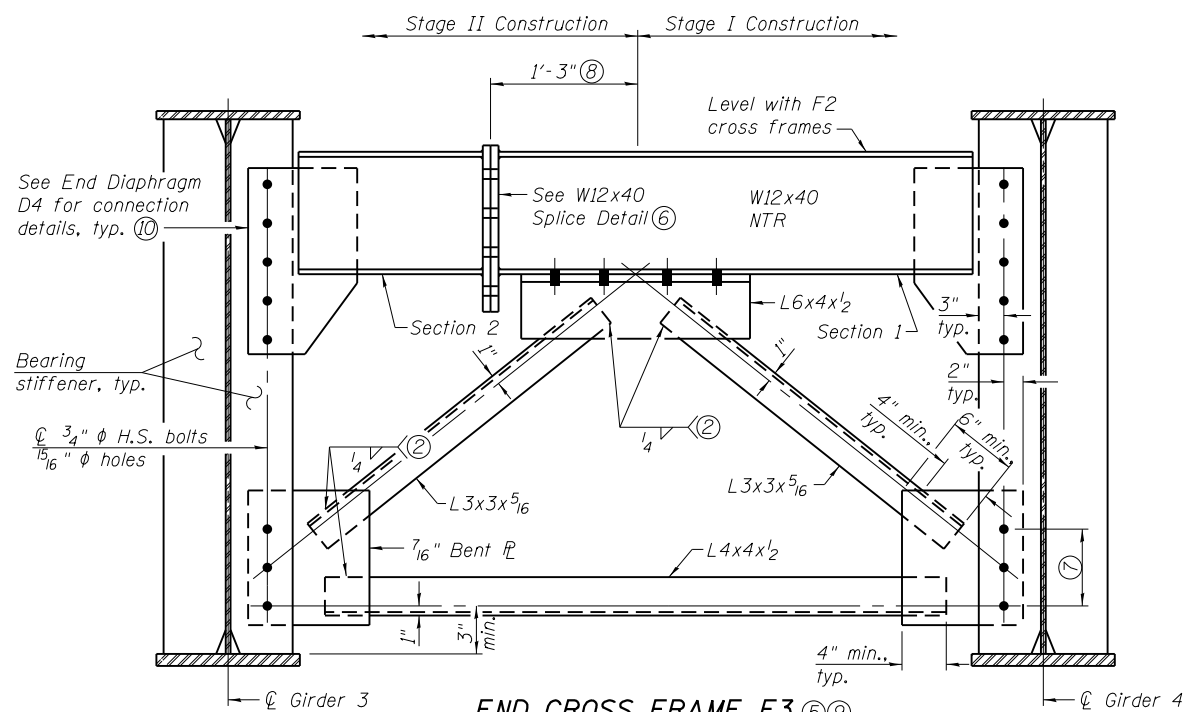
END CROSS FRAME F2 ⑤

(4 Required)
(Galvanized)



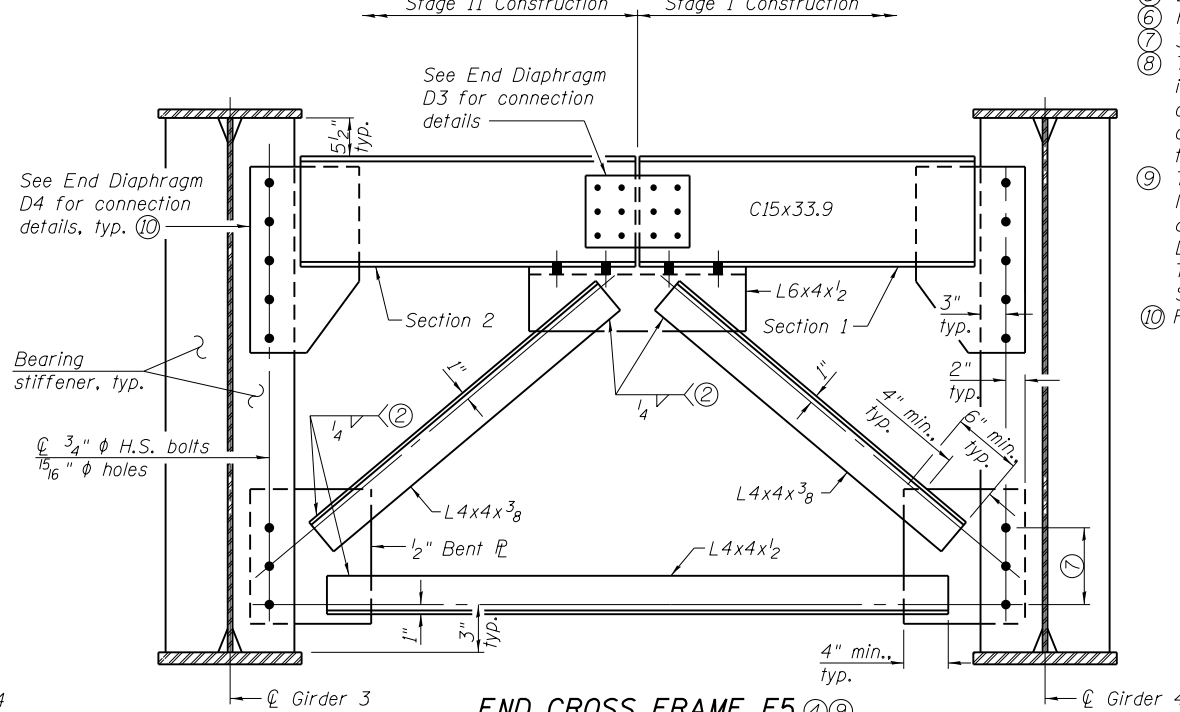
END CROSS FRAME F4 ④

(4 Required)
(Galvanized)



END CROSS FRAME F3 ⑤⑨

(1 Required)
(Galvanized)



END CROSS FRAME F5 ④⑨

(1 Required)
(Galvanized)

**END CROSS FRAME F3 STAGE
CONSTRUCTION SEQUENCE**

- 1.) Order W12x40 in two sections.
- 2.) Attach Section 1 of W12x40 to girder 4.
- 3.) Place timber block posts between Section 1 of W12x40 and pier bearing section.
- 4.) Attach Section 2 of W12x40 to both girder 3 and Section 1 of W12x40 during stage II construction.
- 5.) Remove timber block posts.
- 6.) Install lower portion of cross frame.

**END CROSS FRAME F5 STAGE
CONSTRUCTION SEQUENCE**

- 1.) Order C15x33.9 in two sections.
- 2.) Attach Section 1 of channel to girder 4.
- 3.) Place timber block posts between Section 1 of channel and abutment bearing section.
- 4.) Attach Section 2 of channel to both girder 3 and Section 1 of channel during stage II construction with splice plates.
- 5.) Remove timber block posts.
- 6.) Install lower portion of cross frame.

Notes:

- ① Load carrying components designated "NTR" shall conform to the Impact Testing Requirement, Zone 2.
- ② Fillet weld angles along 3 sides on one face of gusset plate or connection angle.
- ③ Two hardened washers required for each set of oversized holes.
- ④ Detail cross frame with channel flanges and outstanding angle legs outward from joint.
- ⑤ Detail cross frame with outstanding angle legs outward from joint.
- ⑥ For W12x40 Splice Detail, see sheet 32 of 62.
- ⑦ 3-3/4" ϕ H.S. bolts with 15/16" ϕ holes at 3" minimum spacing, typ.
- ⑧ The location of the W12x40 splice shown shall be adjusted if it interferes with the connection of the L6x4x1/2 to the bottom flange of the W12x40. The splice shall not interfere with the connection of the Finger Plate Expansion Joint stools to the top flange of the W12x40.
- ⑨ Timber Block Post not shown for clarity. Timber Block Post location for End Cross Frame F3 similar to End Diaphragm D5 and location for End Cross Frame F5 similar to End Diaphragm D3. For End Diaphragm D3 and D5, see sheet 32 of 62. Cost of Timber Block Post is included with Furnishing and Erecting Structural Steel.
- ⑩ For End Diaphragm D4, see sheet 32 of 62.