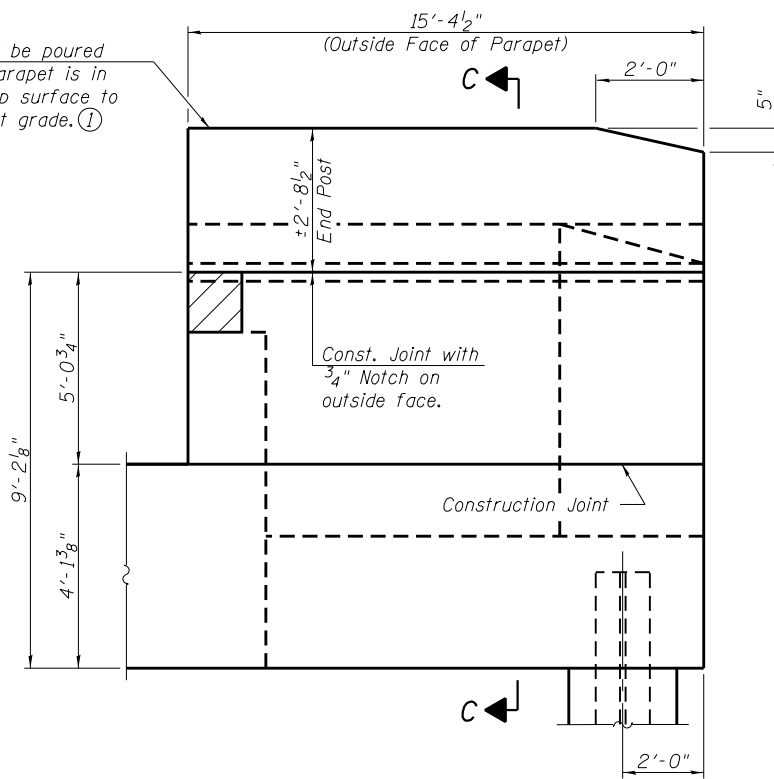
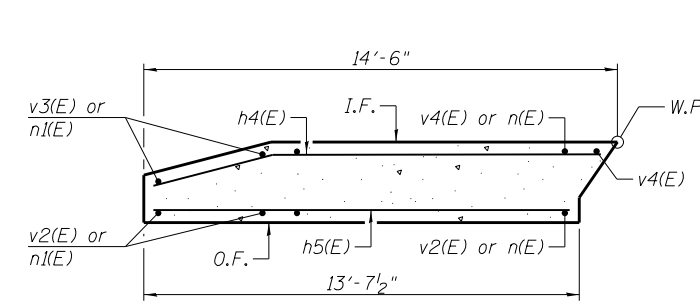


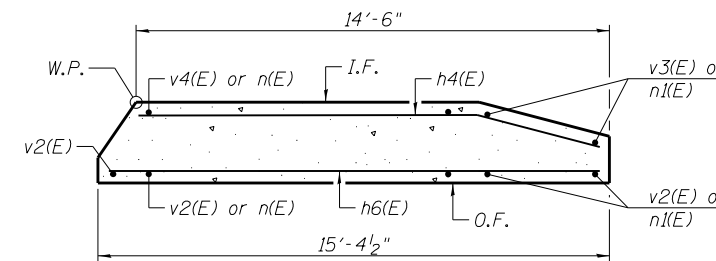
EAST WINGWALL ELEVATION
Showing Dimensions (Looking West)



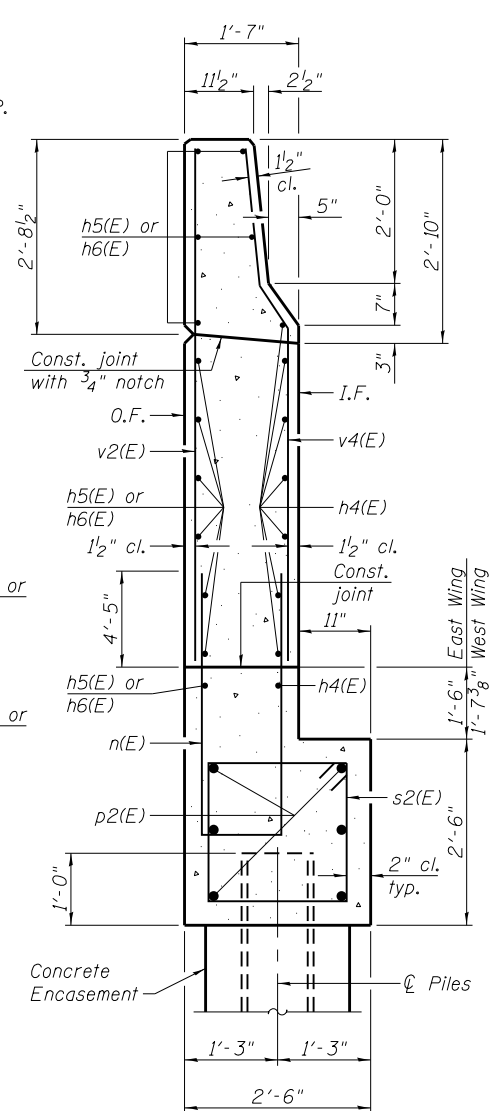
WEST WINGWALL ELEVATION
Showing Dimensions (Looking East)



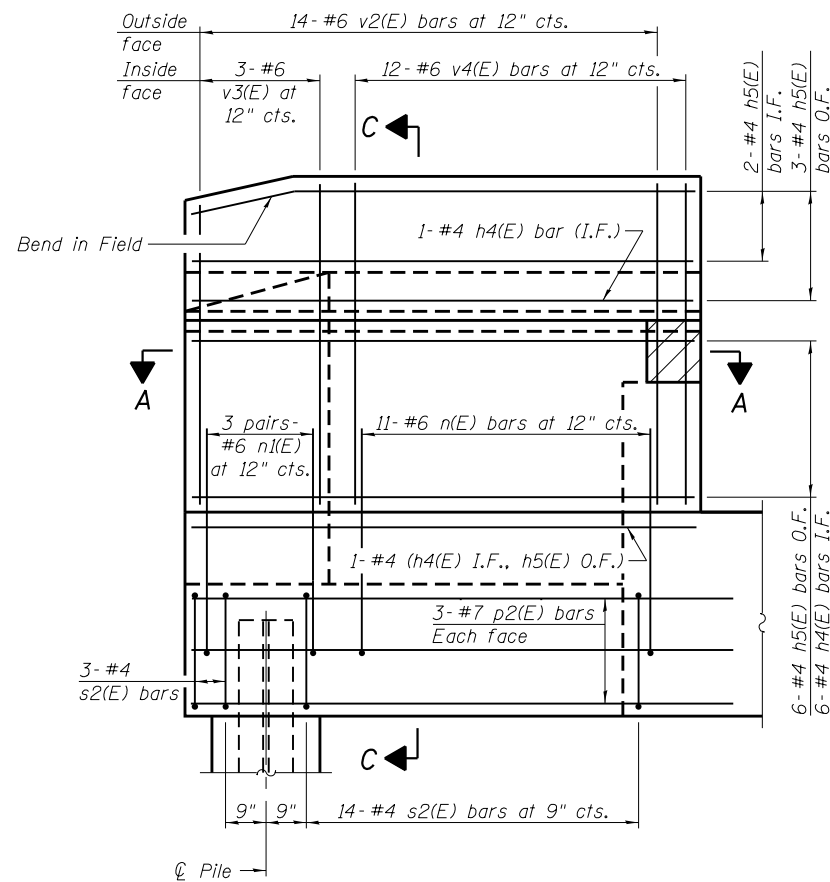
SECTION A-A



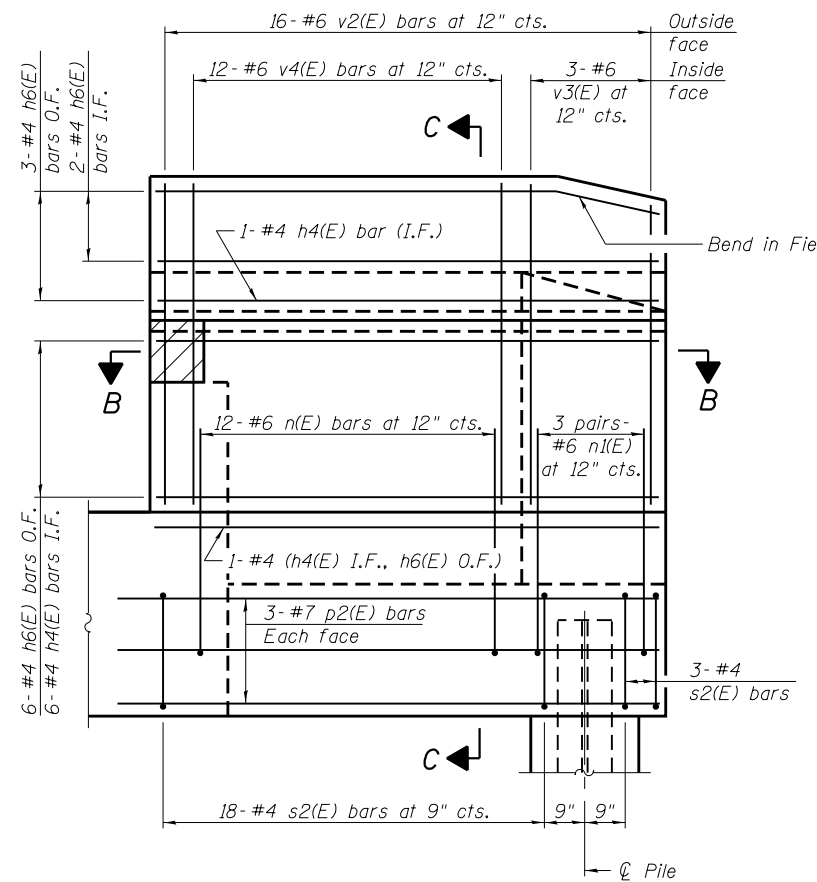
SECTION B-B



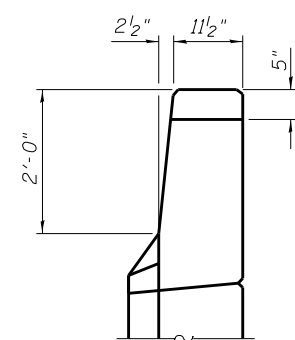
SECTION C-C



EAST WINGWALL ELEVATION
Showing Reinforcement (Looking West)



WEST WINGWALL ELEVATION
Showing Reinforcement (Looking East)



VIEW D-D
(Showing East Wingwall, West Wingwall similar)

- Notes:
- Quantity of concrete in end post included with Concrete Superstructure on sheet 20 of 62.
 - For Concrete Encasement details, see sheet 50 of 62.
 - I.F. denotes inside face and O.F. denotes outside face.
 - Hatched area to be poured after superstructure falsework has been removed.