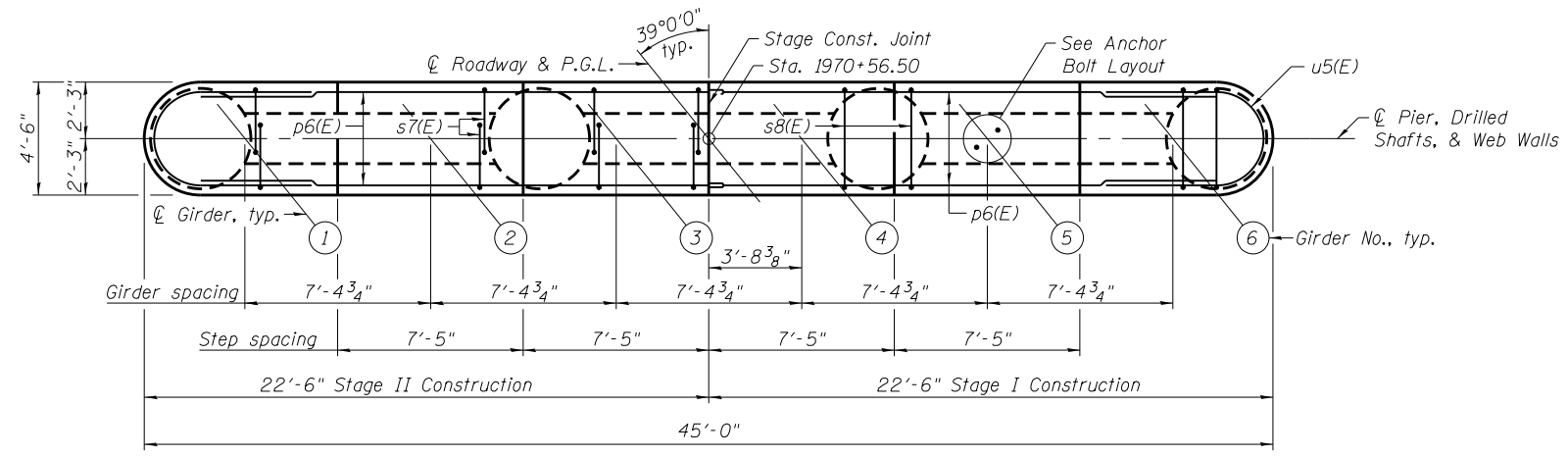
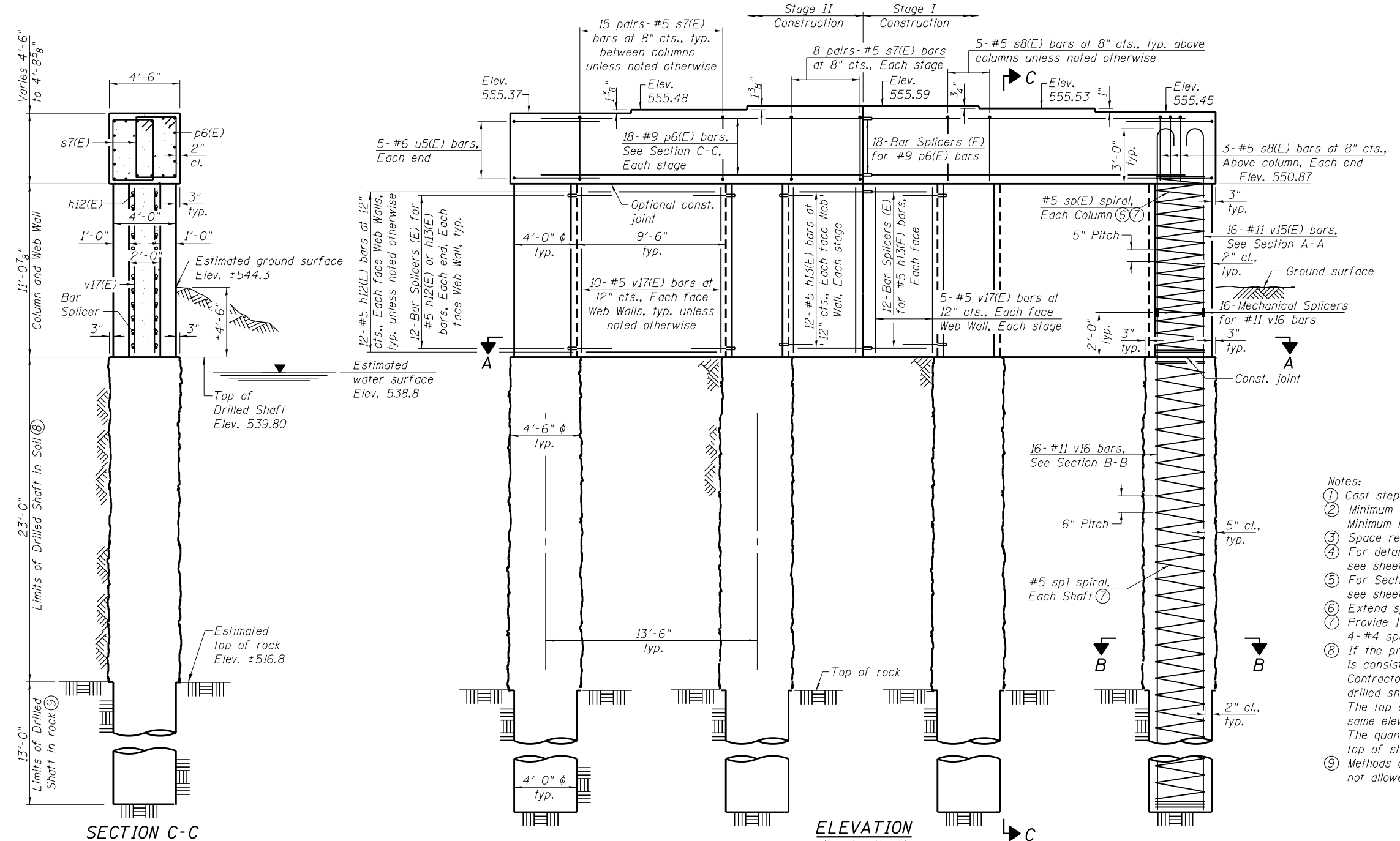


**ANCHOR BOLT LAYOUT** ③



**TOP PLAN**



**SECTION C-C**

**ELEVATION**  
(Looking North)

- Notes:
- ① Cast steps monolithically with cap.
  - ② Minimum lap for epoxy coated spirals = 3'-9"
  - ③ Minimum lap for non epoxy coated spirals = 2'-6"
  - ④ Space reinforcement in cap to miss anchor bolts.
  - ⑤ For details of Bar Splicers and Mechanical Splicers, see sheet 51 of 62.
  - ⑥ For Section A-A and B-B, bar details, and Bill of Material, see sheet 49 of 62.
  - ⑦ Extend spiral 2" into pier cap.
  - ⑧ Provide 1/2 extra turns top and bottom. Provide min. 4-#4 spacers or equivalent.
  - ⑨ If the prevailing water surface elevation during construction is consistently different than estimated on the plans, the Contractor may propose an adjustment to the top of the drilled shaft elevation as part of their installation procedure. The top of all drilled shafts shall be constructed to the same elevation and extend above the prevailing water surface. The quantities and reinforcement detailing are based on the top of shaft and the estimated elevations shown.
  - ⑩ Methods of drilling that produce a smooth rock socket are not allowed.



USER NAME =	DESIGNED - JAD	REVISIONS
PLOT SCALE =	CHECKED - SUN	REVISIONS
PLOT DATE =	DRAWN - DBB	REVISIONS
	CHECKED - JAD	REVISIONS

**STATE OF ILLINOIS**  
**DEPARTMENT OF TRANSPORTATION**

**PIER 5 DETAILS**  
**STRUCTURE NO. 048-0100**  
SHEET NO. 47 OF 62 SHEETS

F.A.P. RTE.	SECTION	COUNTY	TOTAL SHEETS	SHEET NO.
626	(44-B-1)BR	KNOX	122	77
CONTRACT NO. 68759				
ILLINOIS FED. AID PROJECT				