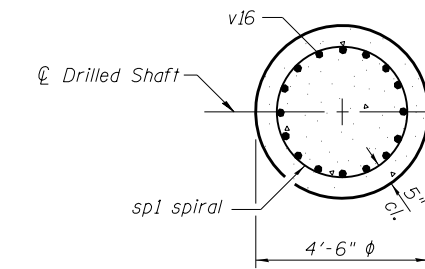
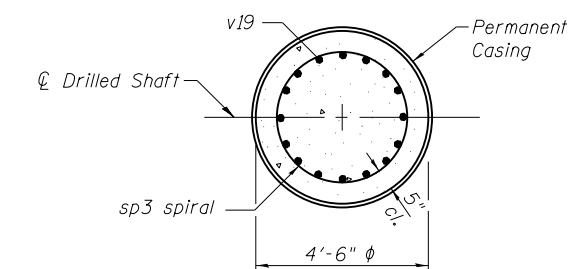


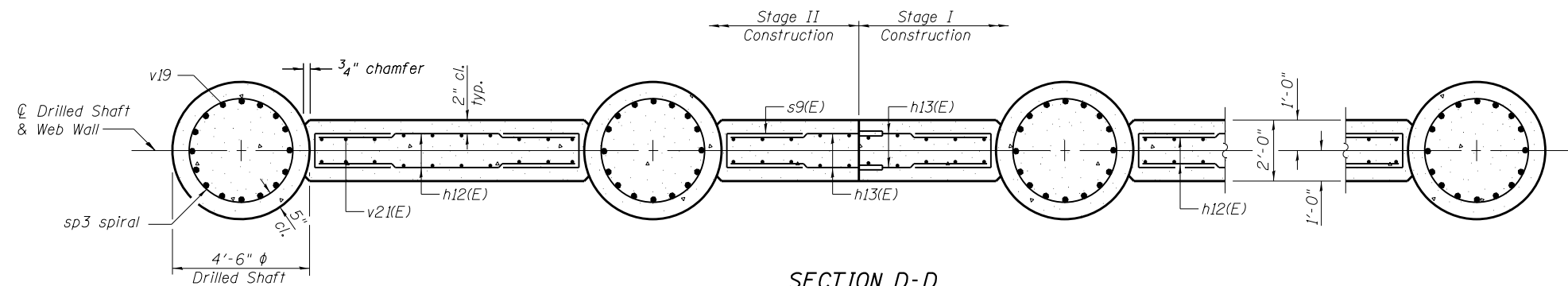
SECTION A-A



SECTION B-B



SECTION F-F



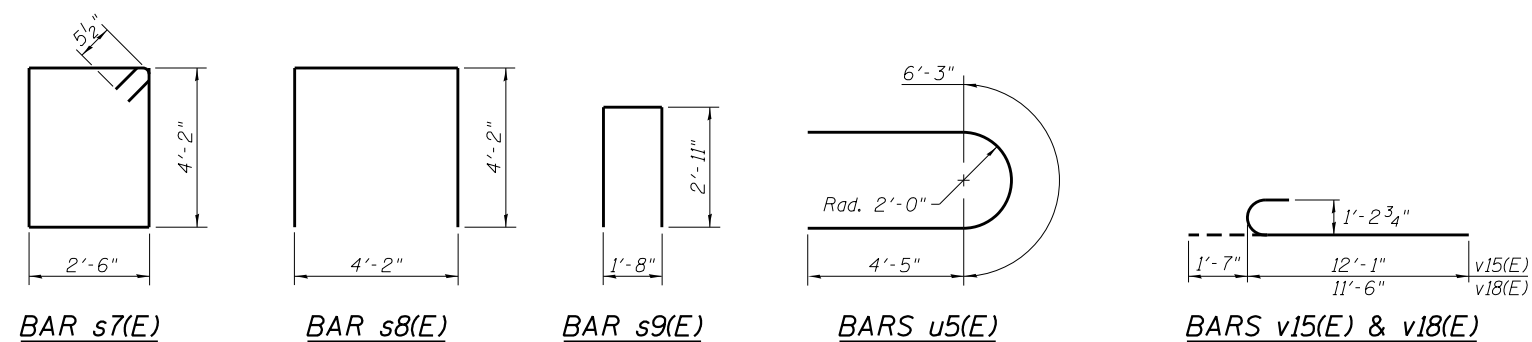
SECTION D-D

PIER 5
BILL OF MATERIAL

Bar	No.	Size	Length	Shape
h12(E)	48	#5	8'-8"	—
h13(E)	48	#5	4'-2"	—
p6(E)	36	#9	20'-1"	—
s7(E)	92	#5	14'-3"	□
s8(E)	16	#5	12'-6"	□
sp(E)	4	#5	11'-1"	⋈
sp1	4	#5	35'-8"	⋈
u5(E)	10	#6	15'-1"	⌋
v15(E)	64	#11	13'-8"	—
v16	64	#11	37'-10"	—
v17(E)	60	#5	10'-9"	—
Structure Excavation		Cu. Yd.	65	
Concrete Structures		Cu. Yd.	78.4	
Reinforcement Bars		Pound	16,440	
Reinforcement Bars, Epoxy Coated		Pound	11,650	
Drilled Shaft in Soil		Cu. Yd.	54.2	
Drilled Shaft in Rock		Cu. Yd.	24.2	

PIER 6
BILL OF MATERIAL

Bar	No.	Size	Length	Shape
h12(E)	92	#5	8'-8"	—
h13(E)	92	#5	4'-2"	—
p6(E)	36	#9	20'-1"	—
s7(E)	92	#5	14'-3"	□
s8(E)	16	#5	12'-6"	□
s9(E)	66	#5	7'-6"	□
sp2(E)	4	#5	10'-6"	⋈
sp3	4	#5	36'-8"	⋈
u5(E)	10	#6	15'-1"	⌋
v18(E)	64	#11	13'-1"	—
v19	64	#11	38'-10"	—
v20(E)	60	#5	10'-5"	—
v21(E)	60	#5	12'-4"	—
Cofferdam Excavation		Cu. Yd.	77	
Cofferdam (Type 2) (Location-1)		Each	1	
Concrete Structures		Cu. Yd.	96.7	
Seal Coat Concrete		Cu. Yd.	39.2	
Reinforcement Bars		Pound	16,880	
Reinforcement Bars, Epoxy Coated		Pound	13,240	
Permanent Casing		Foot	60	
Drilled Shaft in Soil		Cu. Yd.	56.5	
Drilled Shaft in Rock		Cu. Yd.	24.2	



①
②

①
②

Notes:
① Length is height of spiral.