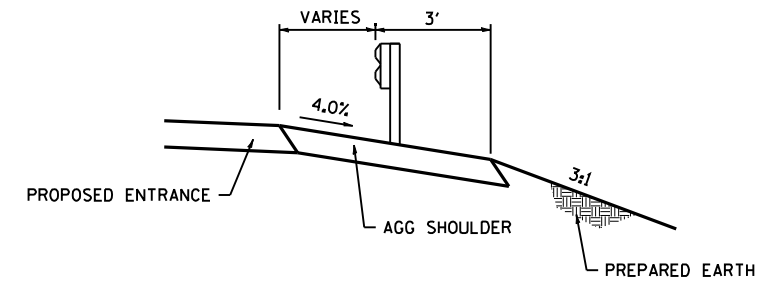
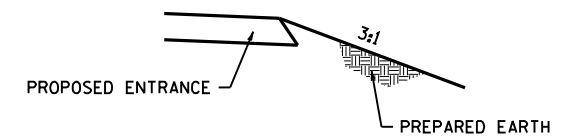


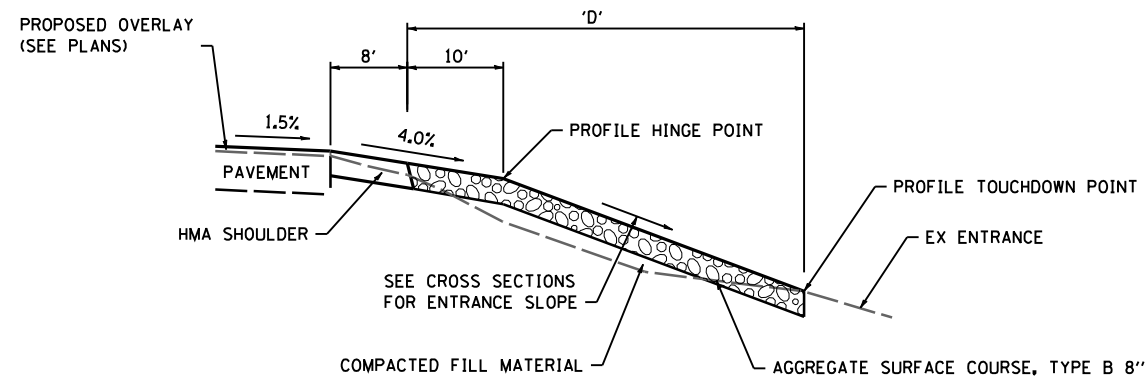
**PLAN AT FIELD ENTRANCES**  
NOT TO SCALE



**SECTION A-A**  
NOT TO SCALE  
SHOULDER TREATMENT FOR RURAL ENTRANCES

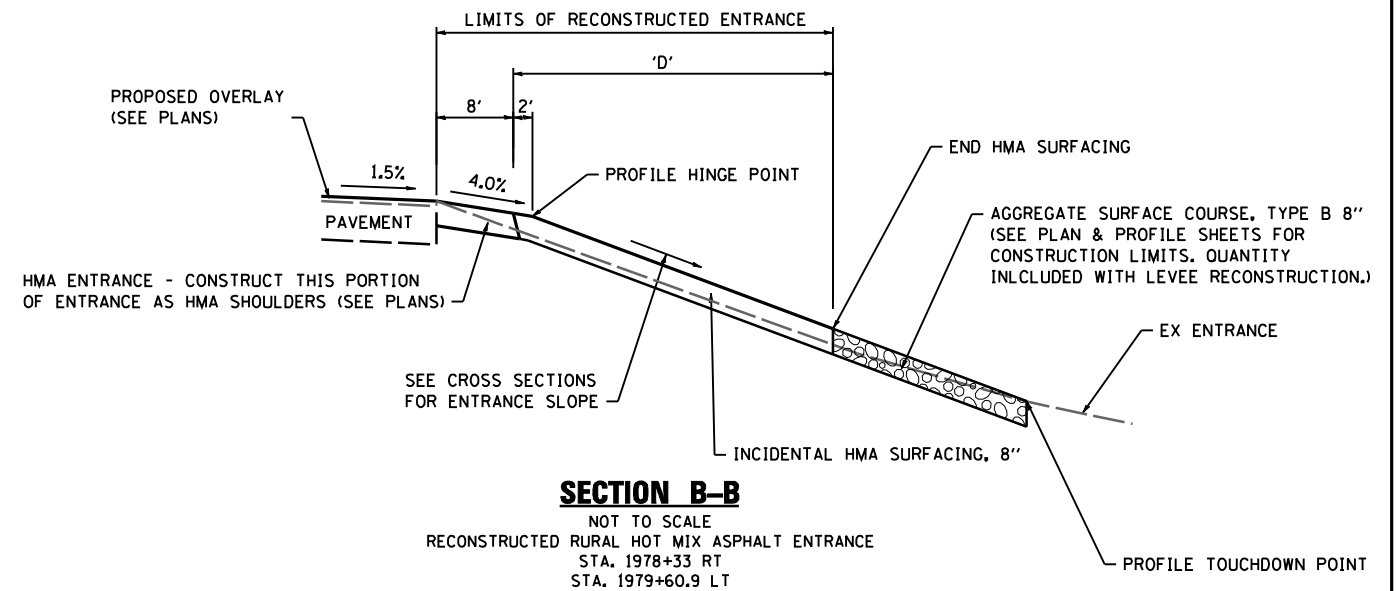


**SECTION C-C**  
NOT TO SCALE  
SHOULDER TREATMENT FOR RURAL ENTRANCES



**SECTION B-B**  
NOT TO SCALE  
RECONSTRUCTED RURAL AGGREGATE ENTRANCE  
STA. 1962+91.3 RT  
STA. 1963+18.7 LT

SEE ENTRANCE SCHEDULE FOR DIMENSION 'D'.



**SECTION B-B**  
NOT TO SCALE  
RECONSTRUCTED RURAL HOT MIX ASPHALT ENTRANCE  
STA. 1978+33 RT  
STA. 1979+60.9 LT

FILE NAME = D468759-sht-details.dgn	USER NAME = default	DESIGNED - RGV	REVISED -
	PLOT TIME = 8:52:37 AM	DRAWN - RGV	REVISED -
	PLOT SCALE = 100.0000' / IN.	CHECKED - BPS	REVISED -
	PLOT DATE = 8/9/2013	DATE -	REVISED -

**STATE OF ILLINOIS  
DEPARTMENT OF TRANSPORTATION**

**CONSTRUCTION DETAILS**

SCALE: SHEET 2 OF 4 SHEETS STA. TO STA.

F.A.P. RTE. 626	SECTION (44-B-1) BR	COUNTY KNOX	TOTAL SHEETS 122	SHEET NO. 94
CONTRACT NO. 68759				
ILLINOIS FED. AID PROJECT				