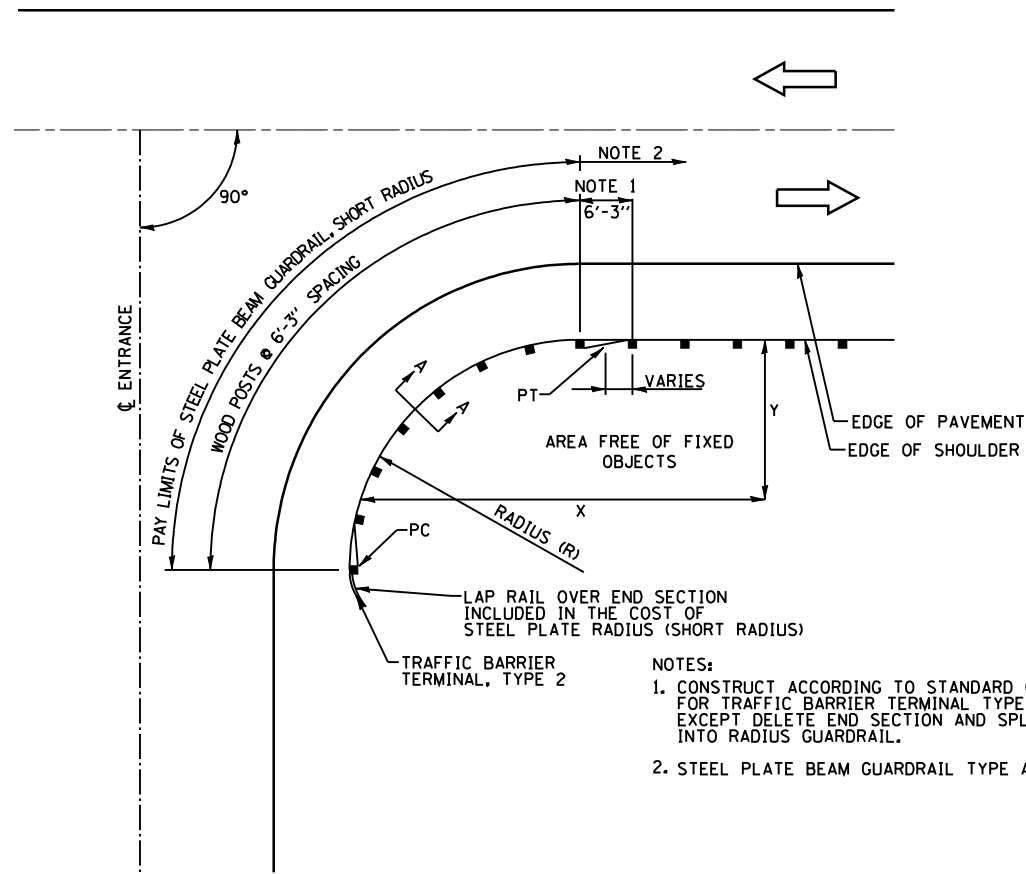


SECTION A-A
NOT TO SCALE

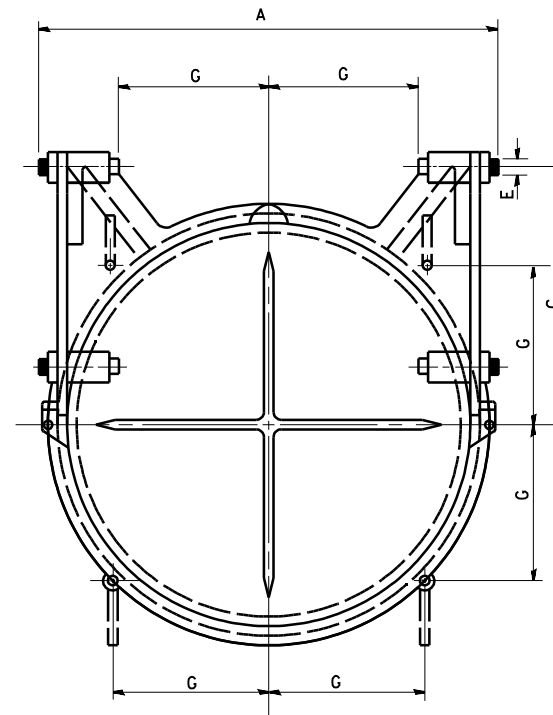
INSTALLATION CHARACTERISTICS PER DESIGN RADIUS			
R	NO. OF WOOD POSTS	X	Y
17'-0"	6	30'	15'



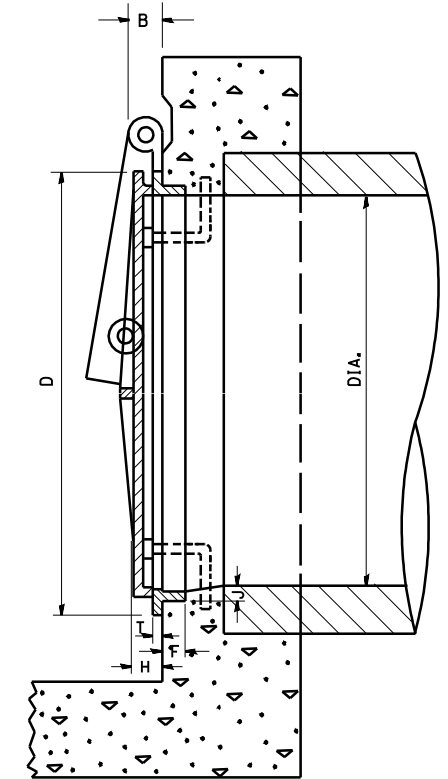
PLAN VIEW
NOT TO SCALE

STEEL PLATE BEAM GUARDRAIL (SHORT RADIUS)
NOT TO SCALE

- NOTES:
- CONSTRUCT ACCORDING TO STANDARD 631011 FOR TRAFFIC BARRIER TERMINAL TYPE 2, EXCEPT DELETE END SECTION AND SPLICE INTO RADIUS GUARDRAIL.
 - STEEL PLATE BEAM GUARDRAIL TYPE A.



FRONT ELEVATION



SECTION

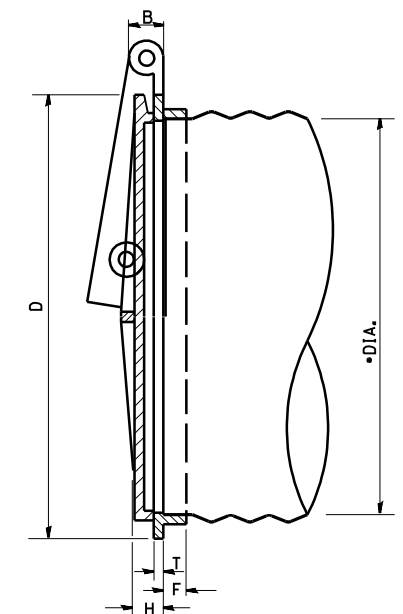
IT IS INTENDED THAT THE AUTOMATIC FLAP GATES SHALL BE A COMMERCIAL PRODUCT BY A RELIABLE MANUFACTURER. THE GATE MAY BE MADE OF CAST IRON, CAST STEEL OR OTHER SUITABLE MATERIAL. THE DESIGN MAY DIFFER FROM THE DRAWING IF IT WILL WORK IN A SATISFACTORY, TROUBLE FREE MANNER AND WILL WITHSTAND THE WATER PRESURE AT THE INSTALLATION LOCATION.

THE SIZE OF AUTOMATIC FLAP GATES SHALL REFER TO THE DIAMETER OF THE OUTLET PIPE OR OPENING.

THIS WORK SHALL BE PAID FOR AT THE CONTRACT UNIT PRICE EACH FOR FLAP GATES OF THE SIZE SPECIFIED AND SHALL INCLUDE ALL MATERIALS AND COMPLETE INSTALLATION.

TABLE OF DIMENSIONS

DIA.	A	B	C	D	E	F	G	H	J	T
8	10 3/4	1 3/8	5 1/16	10	1/2	1 1/8	3 3/16	1 1/4	3/8	3/8
10	12 3/4	1 3/8	7 1/8	12 1/4	1/2	1 1/8	4 3/8	1 1/2	1/2	1/16
12	14 3/4	1 3/8	8 1/2	14 1/2	1/2	1 1/8	5 5/8	1 1/2	1/2	1/2
14	17 1/4	1 3/8	9 7/8	16 3/4	1/2	1 1/4	5 5/8	1 1/2	1/2	3/16
15	17 3/4	1 3/8	10 5/8	17 3/4	1/2	1 1/4	6 1/4	1 1/2	1/2	3/16
16	19 1/4	1 3/8	11 1/4	18 3/4	1/2	1 1/4	6 5/8	1 1/2	1/2	3/16
18	22 1/4	2	12 5/8	21	3/4	1 3/8	7 1/16	1 3/4	5/8	3/16
20	24 3/4	2	14 1/8	23 3/4	3/4	1 3/8	8 1/4	1 3/4	5/8	5/8
21	25 1/4	2	14 7/8	24 1/4	3/4	1 3/8	8 3/16	1 3/4	5/8	5/8
24	28 1/4	2	17	27 1/2	3/4	1 1/2	9 3/4	1 3/4	5/8	5/8
30	35 1/4	2 1/2	20 1/2	34	1	1 3/8	12	2	1 1/16	5/8
36	41 1/2	2 1/2	25	40 3/8	1	2 1/16	14 3/16	2 1/4	1 1/8	1 1/16
42	47 1/2	2 1/2	29 3/4	47	1	2 5/16	16 5/8	2 1/4	1 1/8	3/4
48	53 1/2	2 1/2	34	54	1	2 3/4	19 1/16	2 1/4	1 3/8	3/4
54	60 3/4	2 1/2	38	62 1/4	1 1/4	2 3/4	22	3	1 1/2	7/8
60	67	2 1/2	42	68 1/2	1 1/4	2 3/4	24 1/4	3	1 1/2	1 5/16
66	73 3/8	2 1/2	47	75	1 1/4	2 7/8	26 1/2	3	1 1/2	1
72	79	2 1/2	51	82	1 1/4	3	29	3	1 1/2	1
78	86	2 1/2	55 1/4	88 3/4	1 1/4	3 1/2	31 3/8	3	1 5/8	1 1/8
84	92 1/2	3 1/2	59 1/2	95 1/2	1 1/2	3 1/2	33 3/4	3	1 3/4	1 1/4



SECTION SHOWING METHOD OF APPLICATION TO CORRUGATED METAL PIPE

FLAP GATES
NOT TO SCALE

FILE NAME =
D468759-sht-details.dgn

USER NAME = default
PLOT TIME = 8:52:38 AM
PLOT SCALE = 100.0000' / IN.
PLOT DATE = 8/9/2013

DESIGNED - RGV
DRAWN - RGV
CHECKED - BPS
DATE -

REVISED -
REVISED -
REVISED -
REVISED -

**STATE OF ILLINOIS
DEPARTMENT OF TRANSPORTATION**

CONSTRUCTION DETAILS
SCALE: SHEET 3 OF 4 SHEETS STA. TO STA.

F.A.P. RTE.	SECTION	COUNTY	TOTAL SHEETS	SHEET NO.
626	(44-B-1) BR	KNOX	122	95
CONTRACT NO. 68759				
ILLINOIS FED. AID PROJECT				