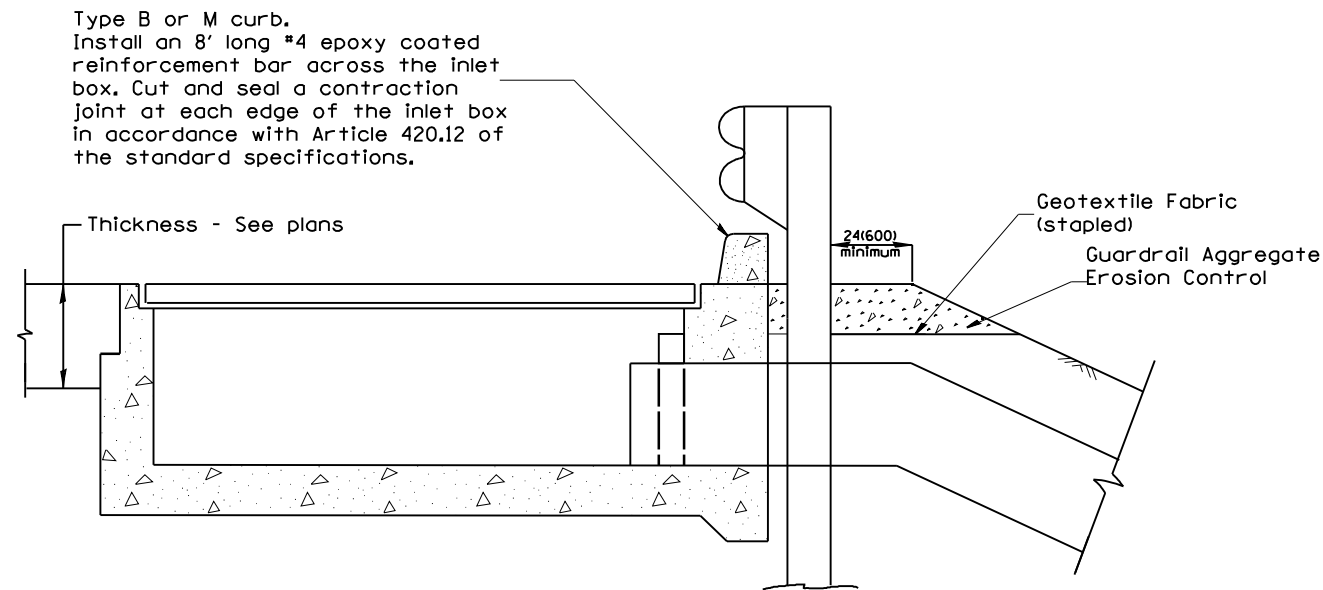
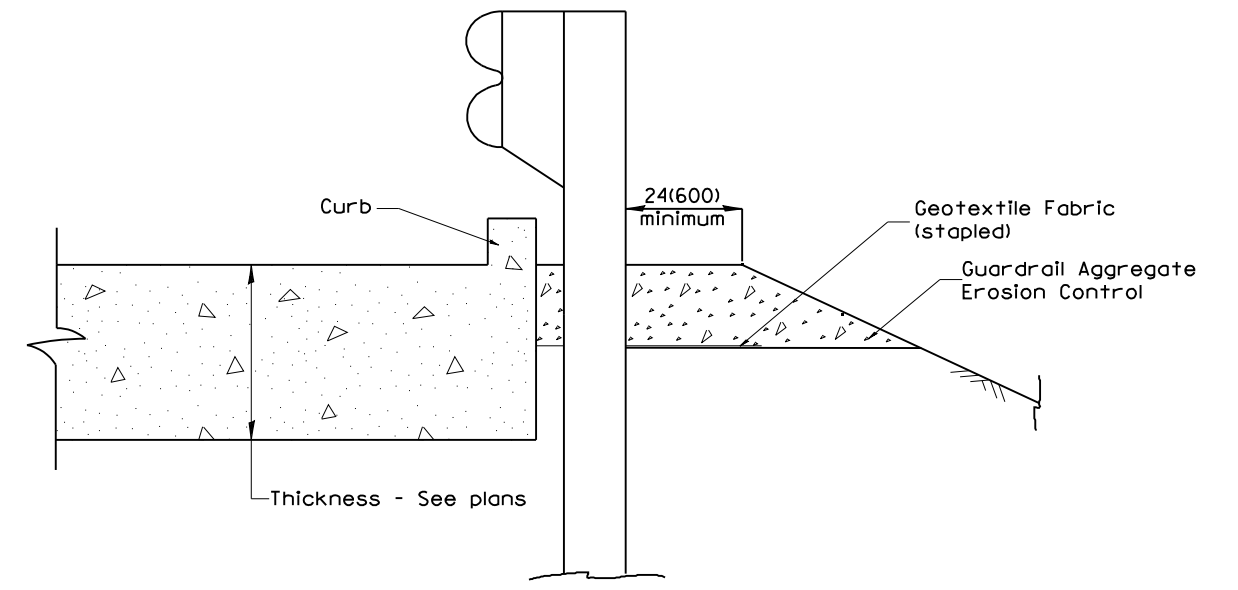


PLAN VIEW
APPROACH SLAB OR BRIDGE APPROACH SHOULDER
(STANDARD 609001 or 609006)



TYPICAL SECTION AT INLETS
TYPE E & F & G (STANDARD 610001)



SECTION A-A
TYPICAL SECTION WITH BRIDGE APPROACH CURB

All dimensions are in inches (millimeters) unless otherwise noted.

STATE OF ILLINOIS DEPARTMENT OF TRANSPORTATION				DISTRICT 4 STANDARDS GUARDRAIL EROSION CONTROL TREATMENTS				F.A.P. RTE.	SECTION	COUNTY	TOTAL SHEETS	SHEET NO.
								626	(44-B-1) BR	KNOX	122	102
NOT TO SCALE				SHT. 2 OF 2 CADD STD. 630101-D4				CONTRACT NO. 68759				
								FED. ROAD DIST. NO. ILLINOIS FED. AID PROJECT				