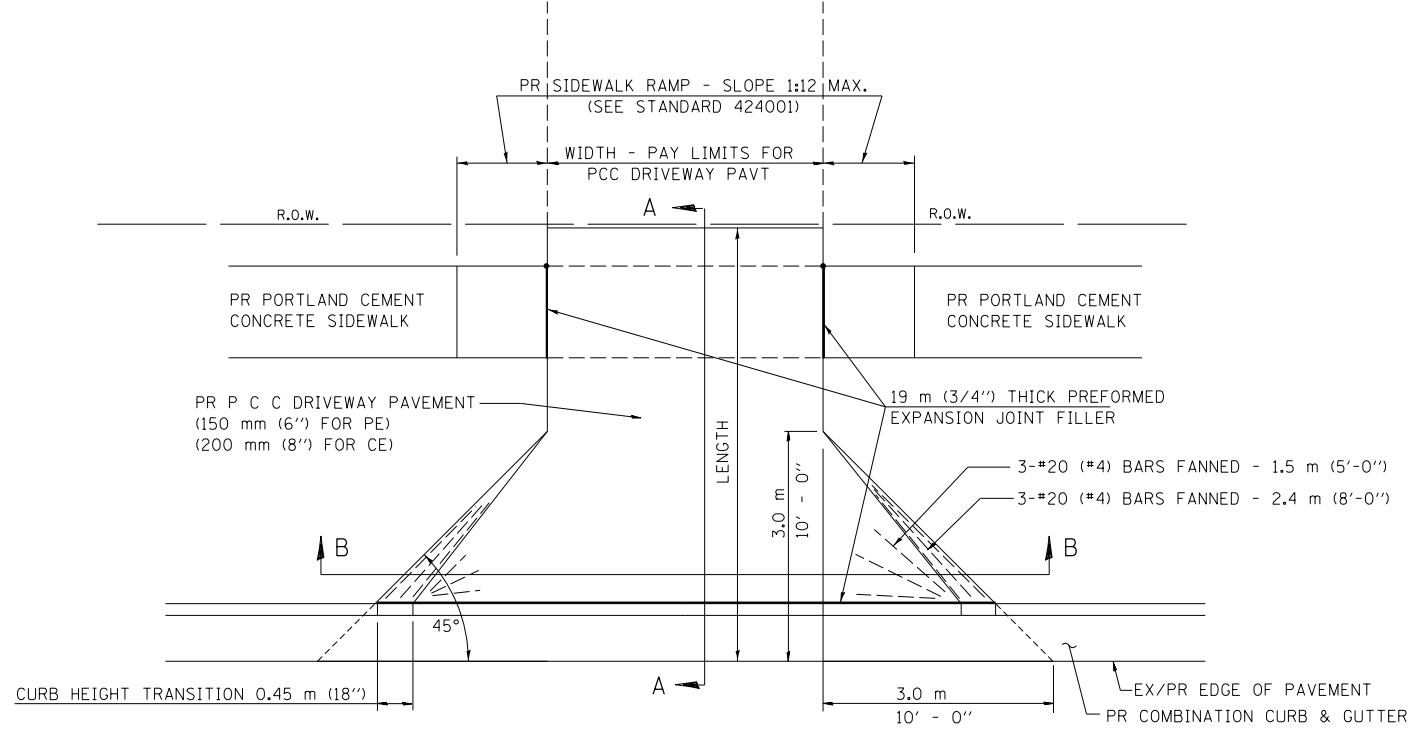
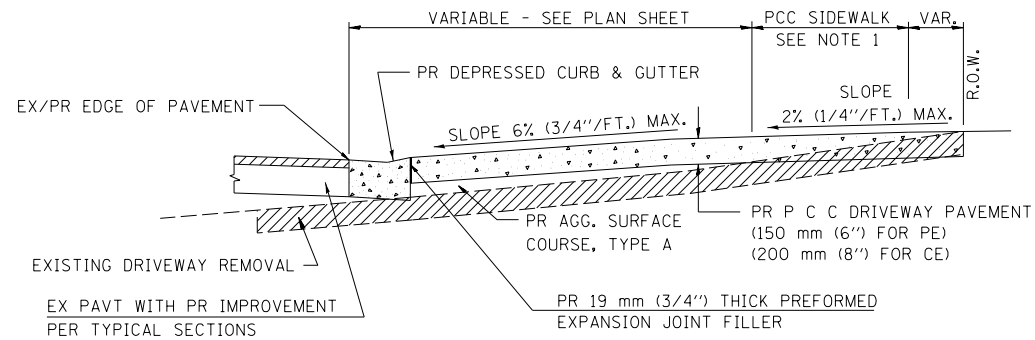


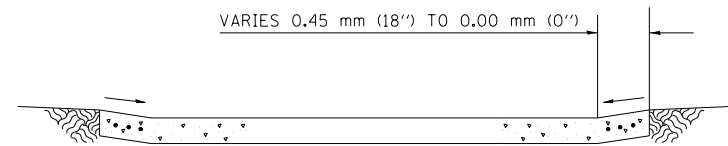
# TYPE A



PLAN - URBAN PE & CE



SECTION A - A

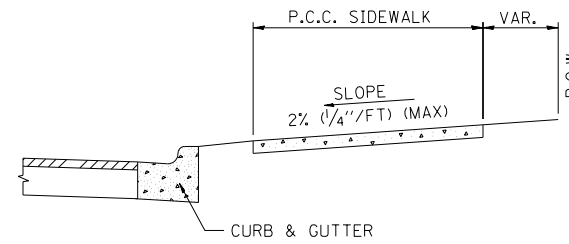
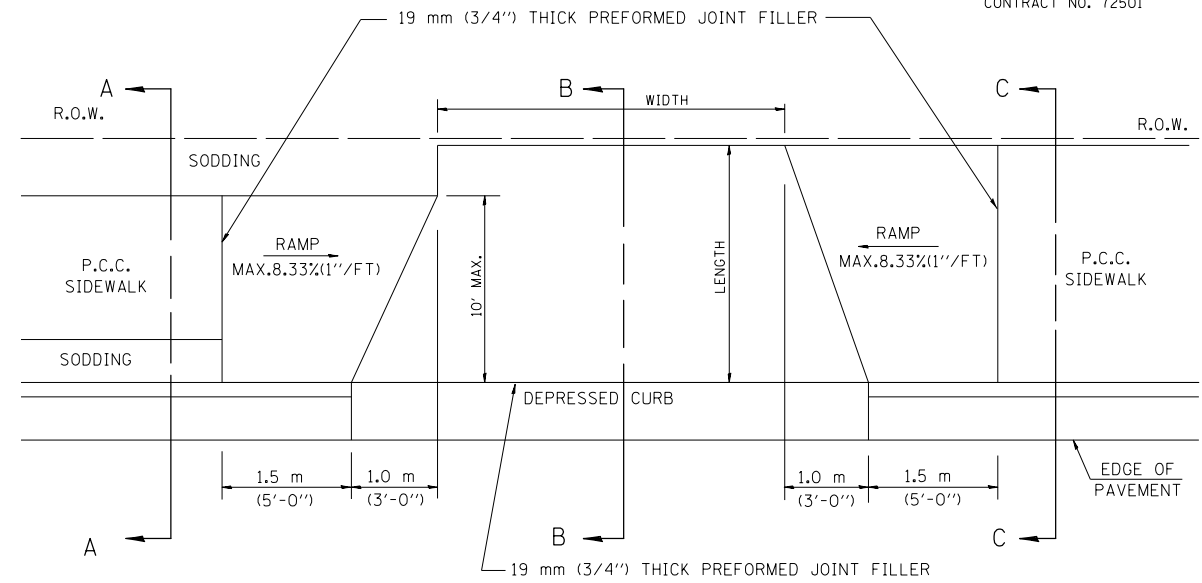


SECTION B - B

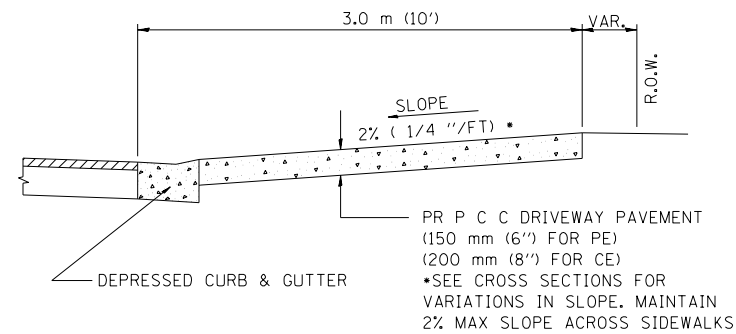
NOTES:

1. SEE PLAN SHEET / ENTRANCE PROFILE FOR LOCATION OF SIDEWALK.
2. THE COST OF FURNISHING AND INSTALLING THE 19 mm (3/4") PREFORMED EXPANSION JOINT FILLER AND REINFORCEMENT BARS SHALL BE INCLUDED IN THE COST OF P.C.C. DRIVEWAY PAVEMENT.

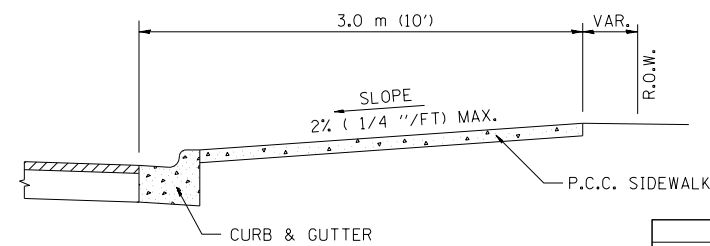
# TYPE B



SECTION A - A



SECTION B - B



SECTION C - C

F.A.P. RTE.	SECTION	COUNTY	TOTAL SHEETS	SHEET NO.
668	28R-1	SANGAMON	354	162
STA.		TO STA.		
FED. ROAD DIST. NO.		ILLINOIS FED. AID PROJECT		
CONTRACT NO. 72501				

REVISIONS	
NAME	DATE

ILLINOIS DEPARTMENT OF TRANSPORTATION  
 DETAILS FOR URBAN ENTRANCES  
 IN CURB AND GUTTER SECTION  
 F.A.P. ROUTE 668 (DIRKSEN PARKWAY)  
 SECTION 28R-1  
 SANGAMON COUNTY

SCALE NTS  
 DATE 06/2013

DRAWN BY CAD  
 CHECKED BY JCN