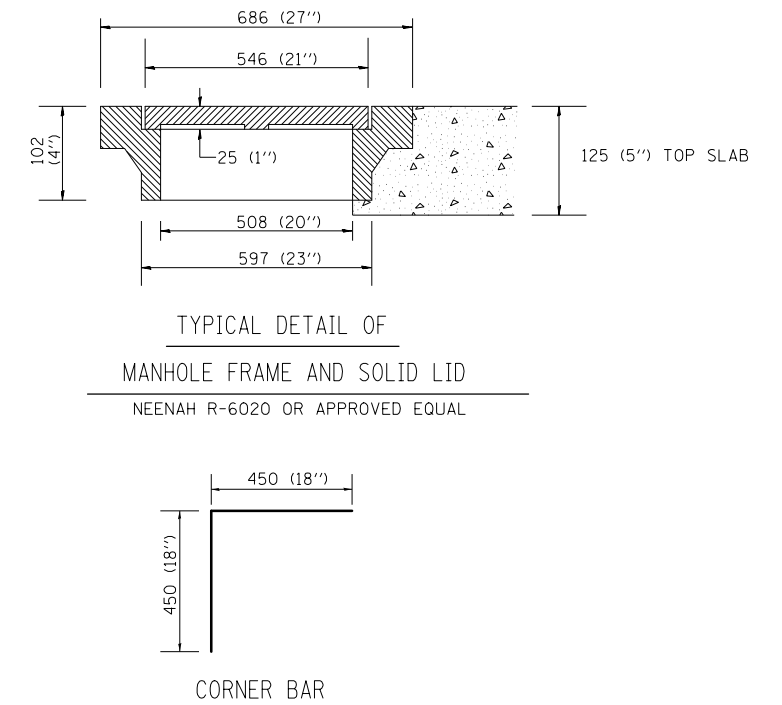
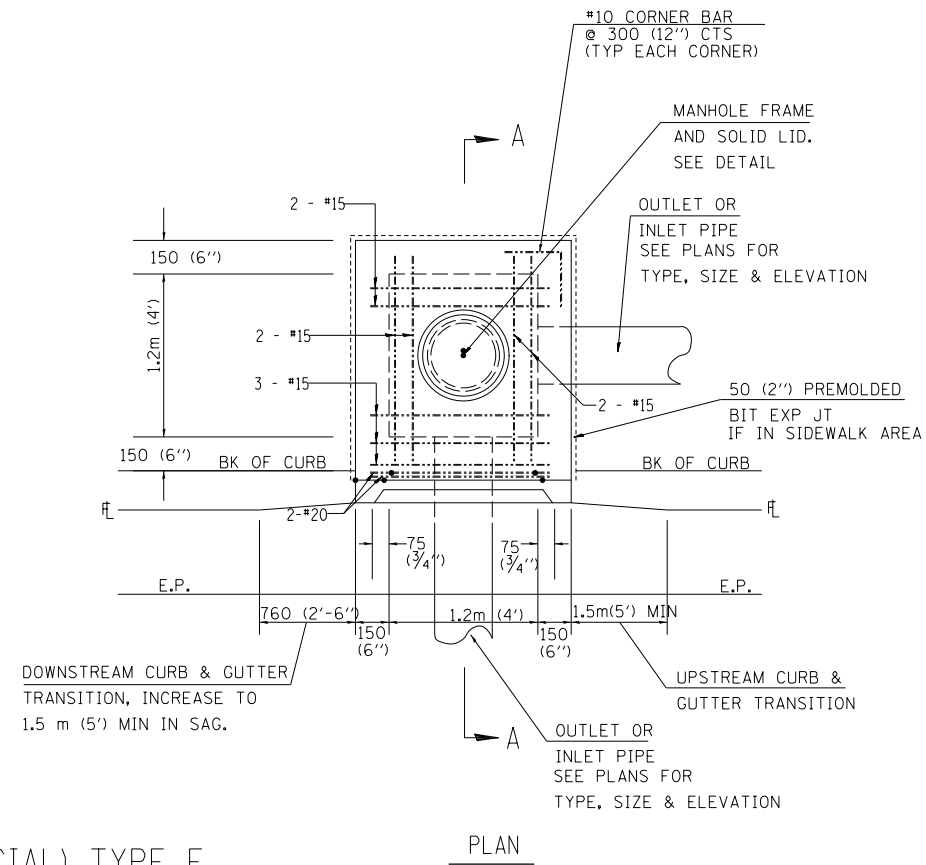
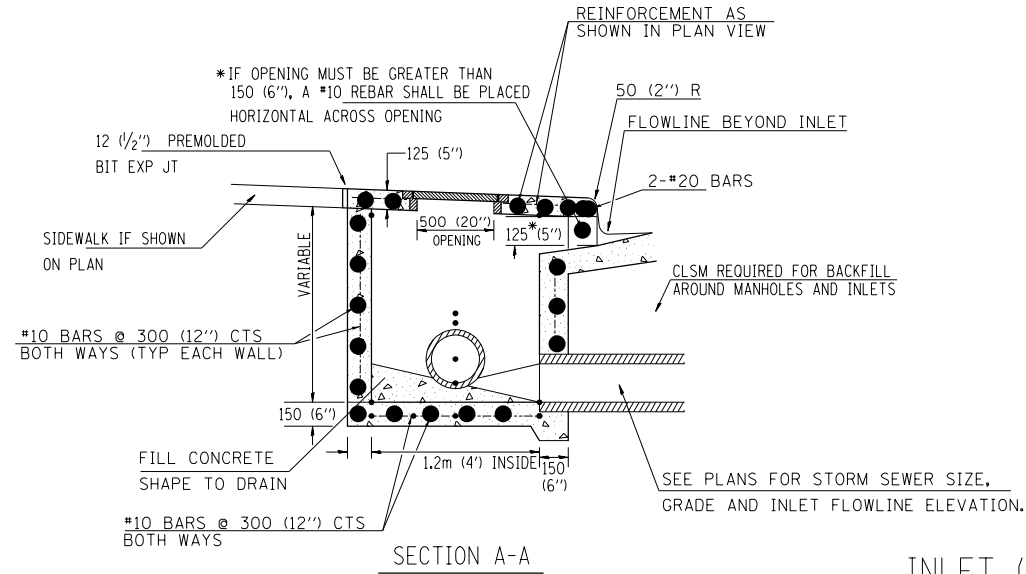


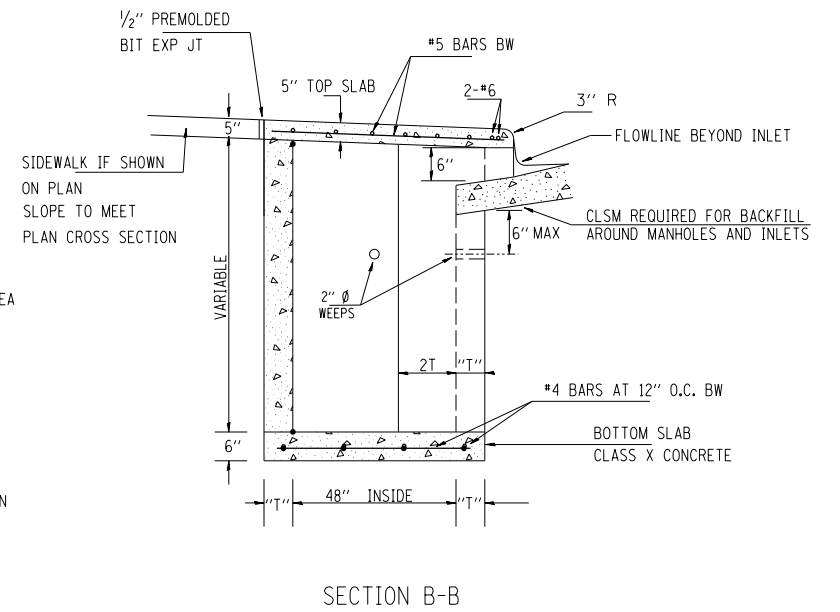
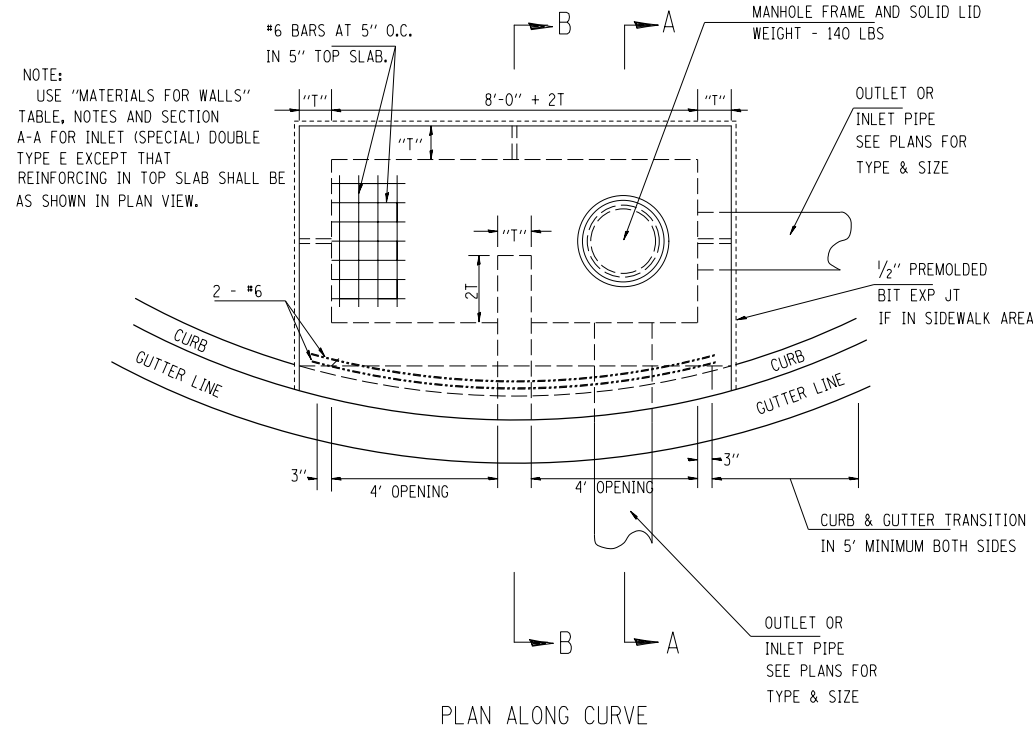
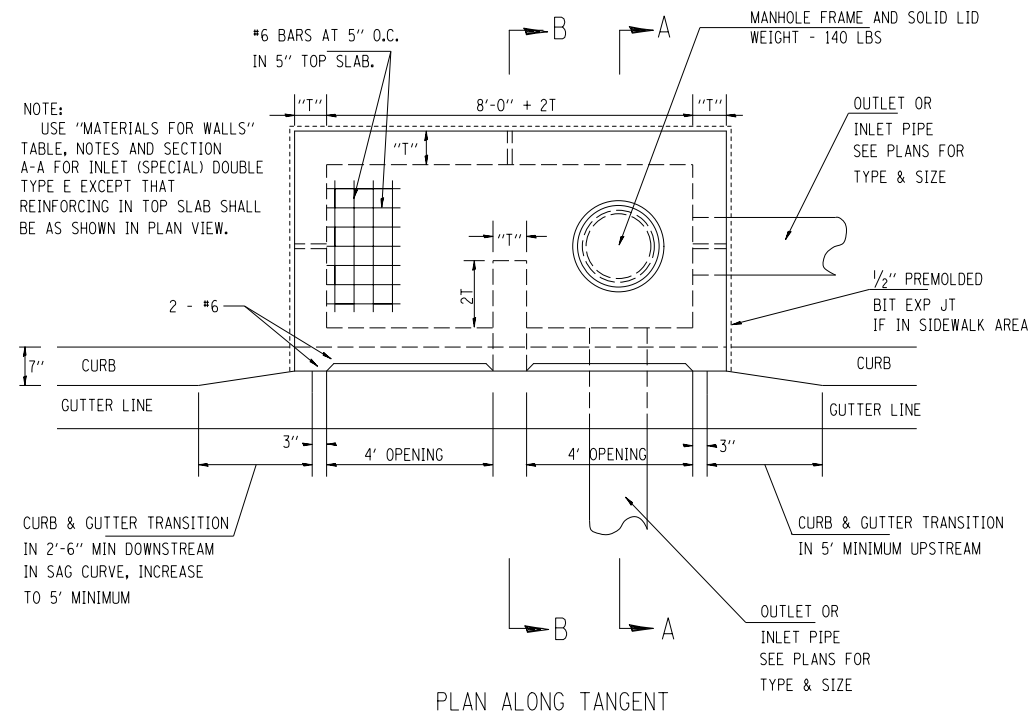
F.A.P. RTE.	SECTION	COUNTY	TOTAL SHEETS	SHEET NO.
668	28R-1	SANGAMON	354	163
STA.		TO STA.		
FED. ROAD DIST. NO.		ILLINOIS FED. AID PROJECT		
CONTRACT NO. 72501				

NOTES:

1. THE CONTRACT UNIT PRICE OF EACH FOR INLET, (SPECIAL) TYPE E SHALL INCLUDE ALL LABOR AND MATERIALS NECESSARY TO CONSTRUCT THE INLET IN ACCORDANCE WITH ARTICLE 602 OF THE STANDARD SPECIFICATIONS AND AS SHOWN HEREIN.
2. CLASS SI CONCRETE SHALL BE USED THROUGHOUT.
3. THE FRONT EDGE OF THE TOP SLAB SHALL BE EITHER STRAIGHT OR RADIUSED AS NEEDED TO CONFORM WITH THE SHAPE OF THE ADJACENT CURB AND GUTTER.



INLET (SPECIAL) TYPE E



FOR 1, 2 & 3, SEE ABOVE

4. BRICKS, CONCRETE BLOCKS AND REINFORCED CONCRETE BLOCKS TO BE LAID IN FULL MORTAR BEDS WITH FLUSH JOINTS.

5. WHEN CONSTRUCTED OF MONOLITHIC CONCRETE, USE #4 REINFORCING BARS SPACED AT 12" CENTERS BOTH WAYS IN FLOOR SLAB AND WALLS.

6. FOR SECTION A-A, SEE ABOVE

INLET (SPECIAL) DOUBLE TYPE E

10/20/97

REVISIONS	
NAME	DATE

ILLINOIS DEPARTMENT OF TRANSPORTATION
DRAINAGE DETAILS
INLET (SPECIAL) TYPE E
F.A.P. ROUTE 668 (DIRKSEN PARKWAY)
SECTION 28R-1
SANGAMON COUNTY
SCALE NTS
DATE 06/2013
DRAWN BY CAD
CHECKED BY JCN