

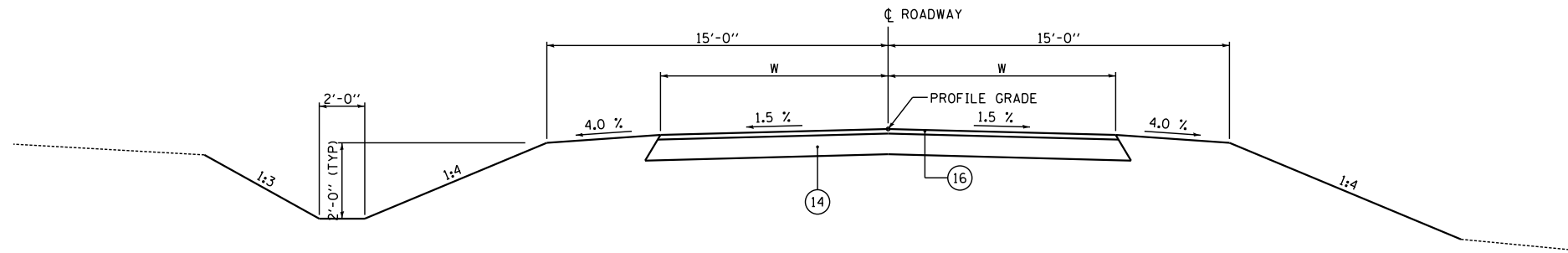
F.A.S. RTE.	SECTION	COUNTY	TOTAL SHEETS	SHEET NO.
1597	14 (W, RS-7)	ADAMS/PIKE	152	28
FED. ROAD DIST. NO. 6		ILLINOIS	FED. AID PROJECT	

**LEGEND**

- (E1) EX 9" - 6" - 9" PCC PAVEMENT
- (E2) EX HOT-MIX ASPHALT BINDER AND SURFACE COURSE, VARIABLE DEPTH (4 1/2" TYP., 3" MIN.)
- (E3) EX HOT-MIX ASPHALT BINDER AND SURFACE COURSE, 3"
- (E4) EX HOT-MIX ASPHALT BINDER AND SURFACE COURSE, VARIABLE DEPTH (2 1/2" MIN.)
- (E5) EX HOT-MIX ASPHALT BASE COURSE WIDENING, 12"
- (E6) EX HOT-MIX ASPHALT SHOULDERS, 6"
- (E7) EX HOT-MIX ASPHALT SHOULDERS, VARIABLE DEPTH
- (E8) EX HOT-MIX ASPHALT BASE COURSE WIDENING, 9"
- (E9) EX AGGREGATE SHOULDER

- (1) PROPOSED HOT-MIX ASPHALT SURFACE COURSE, MIX "C", N50, 1 1/2"
- (2) PROPOSED HOT-MIX ASPHALT BINDER COURSE, IL-19.0, N50, VARIABLE DEPTH
- (3) PROPOSED LEVELING BINDER (MACHINE METHOD), N50, 1 1/4"
- (4A) PROPOSED HOT-MIX ASPHALT BASE COURSE WIDENING, 10"
- (4B) PROPOSED HOT-MIX ASPHALT BASE COURSE, 10"
- (5) PROPOSED AGGREGATE SHOULDER, TYPE B
- (6) PROPOSED HOT-MIX ASPHALT SHOULDER, 2 1/2"
- (6A) PROPOSED HOT-MIX ASPHALT SHOULDER, 8"
- (7) PROPOSED HOT-MIX ASPHALT SURFACE REMOVAL, VARIABLE DEPTH (3/4" AVG.)
- (8) PROPOSED HOT-MIX ASPHALT SURFACE REMOVAL, VARIABLE DEPTH (2 1/2" AVG.)
- (9) PROPOSED PAVEMENT MARKING LINE, 5"
- (10) PROPOSED CONCRETE GUTTER, TYPE A
- (11) PROPOSED PIPE UNDERDRAINS, 4"
- (12) NOT USED
- (13) NOT USED
- (13A) NOT USED
- (14) PROPOSED HOT-MIX ASPHALT BASE COURSE, 6 1/2"
- (15) PROPOSED STRIP REFLECTIVE CRACK CONTROL TREATMENT
- (16) PROPOSED INCIDENTAL HOT-MIX ASPHALT SURFACING - 1 1/2"

- (A) SHOULDER SLOPE HIGH SIDE OF SE:  
SHOULDER SHALL BE SLOPED AT 1/2" / FT (4%) IF THE SE IS BETWEEN 0% AND 4%. IF SE IS GREATER THAN 4% THE SHOULDER SHALL BE SLOPED SO THE ALGEBRAIC DIFFERENCE BETWEEN THE PAVEMENT CROSS SLOPE AND THE SHOULDER SLOPE DOES NOT EXCEED 8%. WHEN THE SE IS 8%, THE SHOULDER SLOPE SHALL BE 1% TOWARD THE LANES OF TRAFFIC TO FACILITATE DRAINAGE.
- (B) SHOULDER SLOPE LOW SIDE OF SE:  
SLOPE SHALL BE THE SAME AS THE SE BUT NOT LESS THAN 4.0%.

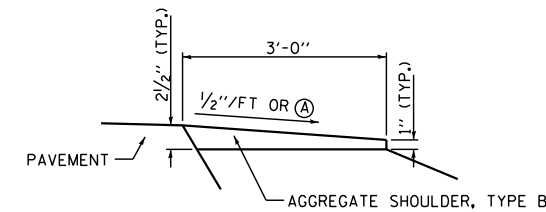


**TYPICAL TOWNSHIP ROAD /SIDEROAD SECTION**

TR 123 (2250 N)  
 STA 10+13.59 TO STA 10+65.82 (RT - W = 11' AT STA 10+43.57 TO 11' AT STA 10+65.82)  
 (LT - W = 11' AT STA 10+65.82)

TR 48 (2350 N)  
 STA 10+13.09 TO STA 11+20.48 (RT - W = 11' AT STA 10+51.80 TO 11' AT STA 10+65.25 TO 7' AT STA 11+20.48)  
 (LT - W = 11' AT STA 10+65.25 TO 7' AT STA 11+20.48)

TR 95 (0003 N)  
 STA 8+93.30 TO STA 9+86.99 (RT - W = 8.16' AT STA 8+93.30 TO 9.83' AT STA 9+45.31)  
 (LT - W = 8.11' AT STA 8+93.30 TO 10.45' AT STA 9+43.07)



**AGGREGATE SHOULDER, TYPE B DETAIL**

NOT TO SCALE

\*NOTE:  
 SEE PLAN AND PROFILE SHEETS FOR THE LOCATIONS  
 OF THE AGGREGATE AND HOT-MIX ASPHALT SHOULDERS

REVISIONS	
NAME	DATE

ILLINOIS DEPARTMENT OF TRANSPORTATION  
 TYPICAL SECTIONS  
 SHEET 4 OF 4  
 F.A.S. ROUTE 1597 (IL 96)  
 SECTION 14 (W, RS-7)  
 ADAMS/PIKE COUNTY

SCALE: NTS  
 DATE  
 DRAWN BY: BNK  
 CHECKED BY: DBS