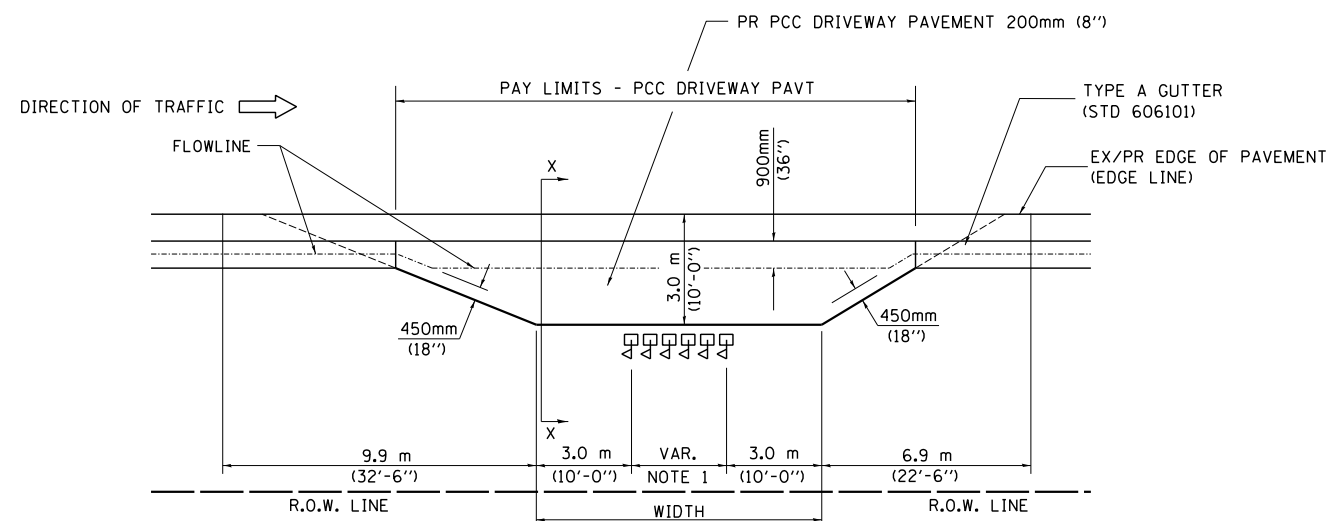
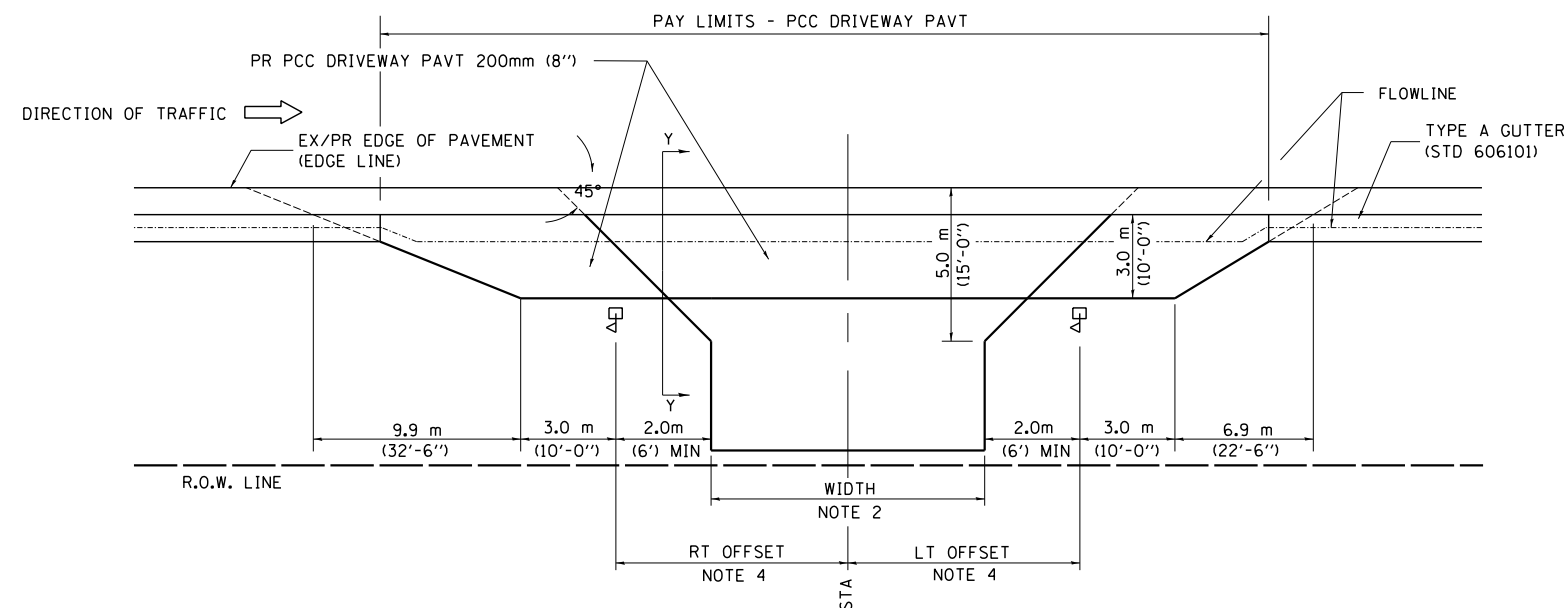


F.A.S. RTE.	SECTION	COUNTY	TOTAL SHEETS	SHEET NO.
1597	14 (W, RS-7)	ADAMS/PIKE	152	68
STA.		TO STA.		
FED. ROAD DIST. NO. 6		ILLINOIS FED. AID PROJECT		

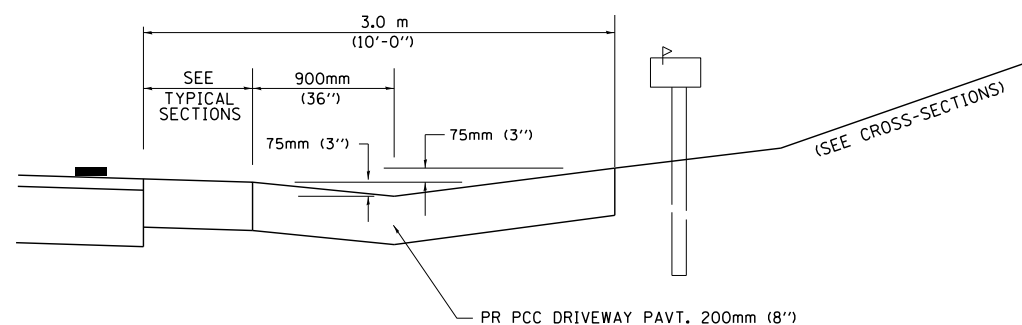
DETAILS OF MAILBOX TURNOUTS



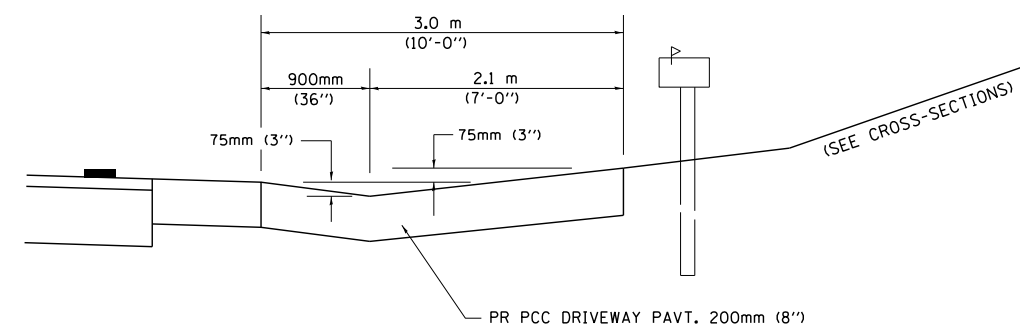
PLAN - RURAL MULTIPLE MAILBOX TURNOUT



PLAN - COMBINED MAILBOX TURNOUT WITH TRAILING OR LEADING ENTRANCE



SECTION X-X THRU MAILBOX TURNOUT



SECTION Y-Y THRU MAILBOX TURNOUT

- NOTE 1 DIMENSION = (NUMBER OF MAILBOX - 1) TIMES 0.6 m (2'-0")
- NOTE 2 FOR ENTRANCE LAYOUT DIMENSIONS AND SECTIONS A-A & E-E REFER TO THE SCHEDULES IN THE PLANS.
- NOTE 4 BOTH LT OR RT OFFSETS FOR MAILBOX SHOWN USE OFFSET DIMENSION PER SCHEDULE AND REFER TO LAYOUT SHOWN ON THE PLAN.

REVISIONS	
NAME	DATE
JCN	2/19/03

ILLINOIS DEPARTMENT OF TRANSPORTATION
DISTRICT SIX
DETAILS FOR RURAL ENTRANCE & MAILBOX TURNOUT IN STANDARD TYPE A GUTTER SECTION (3R - PROJECTS)

SCALE: VERT. HORIZ. DATE: FEBRUARY 23, 1999 DRAWN BY: CADD CHECKED BY: JCN