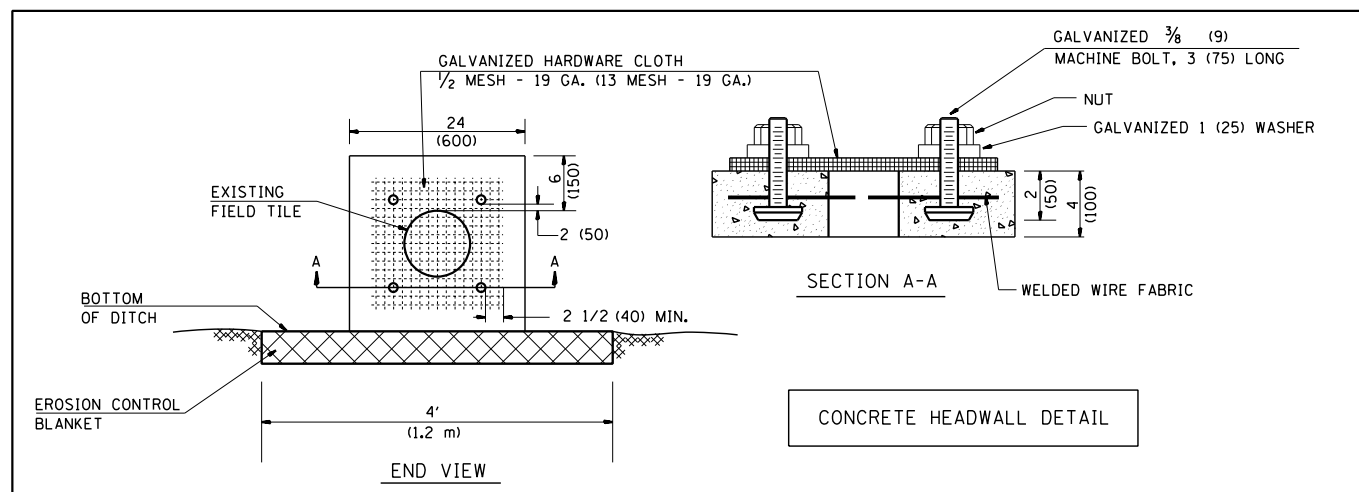
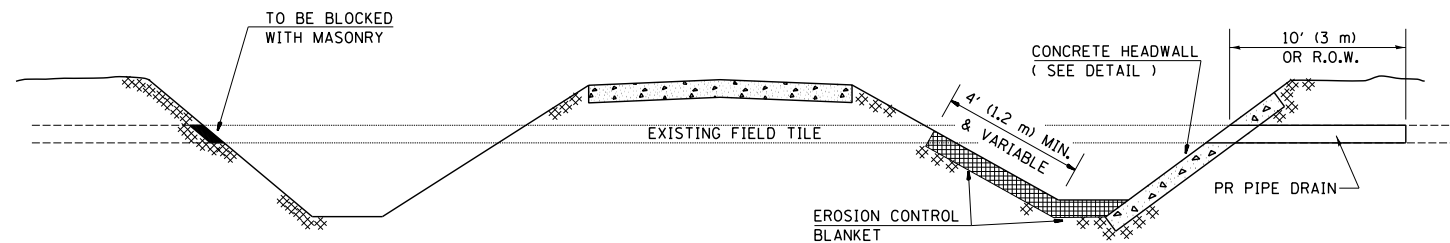


GENERAL NOTES

1. FIELD TILE SHALL BE REPLACED IN ACCORDANCE WITH SECTION 611 OF THE STANDARD SPECIFICATIONS. THE COST PER CONTRACT UNIT PRICE OF ITEMS INCLUDED IN THIS CONTRACT SHALL BE PAID FOR AS STATED IN SECTION 611 OF THE STANDARD SPECIFICATIONS. IF THE CONTRACT UNIT PRICE IS NOT INCLUDED IN THIS CONTRACT, PAYMENT FOR THIS WORK WILL BE IN ACCORDANCE WITH ARTICLE 109.04 OF THE STANDARD SPECIFICATIONS.
2. THE DIAMETER OF THE PROPOSED STORM SEWER SHALL BE EQUAL TO OR GREATER THAN THE EXISTING FIELD TILE.
3. ALL EXISTING FIELD TILE SHALL BE REPLACED WITH STORM SEWER OF THE TYPE REQUIRED FOR BY THE DEPTH OF COVER. THE LINEAL METER MEASUREMENT WILL BE ALONG THE CENTROIDAL AXIS AND INCLUDE ALL BENDS, ELBOWS, OR PIPE TEE'S WHICH ARE REQUIRED.
4. THE REINFORCED CONCRETE LID SHALL BE CLASS SI CONCRETE (MISCELLANEOUS) OR PRECAST REINFORCED CONCRETE.
5. ALL HARDWARE, WELDED WIRE FABRIC, RODENT SCREENS AND OTHER REINFORCEMENT AND ANCHORS AS SHOWN OR AS DIRECTED BY THE ENGINEER SHALL BE INCLUDED IN THE COST FOR MISCELLANEOUS CONCRETE.



ALL DIMENSIONS ARE IN INCHES (MILLIMETERS) UNLESS OTHERWISE SHOWN.

FILE NAME = ftitle.dgn	USER NAME = nate1	DESIGNED -	REVISED -	STATE OF ILLINOIS DEPARTMENT OF TRANSPORTATION	FIELD TILE REPLACEMENT	F.A.S. RTE.	SECTION	COUNTY	TOTAL SHEETS	SHEET NO.	
Default	PLOT SCALE = 48.004' / in.	DRAWN - CADD	REVISED -			1597	14 (W, RS-7)	ADAMS/PIKE	152	71	
	PLOT DATE = 8/16/2013	CHECKED - RRJ	REVISED -			CONTRACT NO. 72781					
		DATE - FEBRUARY 15, 2000	REVISED -			SCALE:	SHEET	OF	SHEETS	STA.	TO