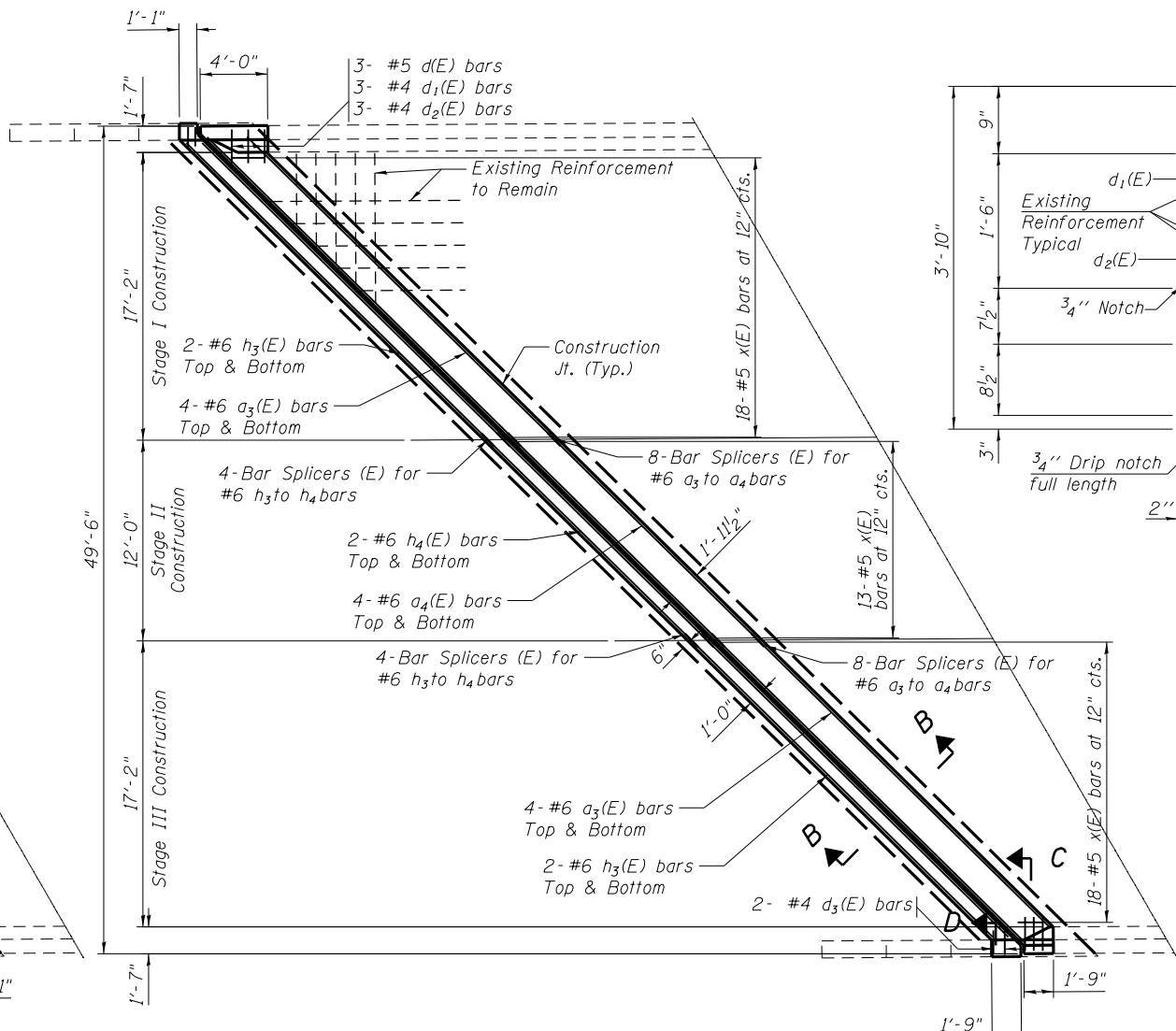
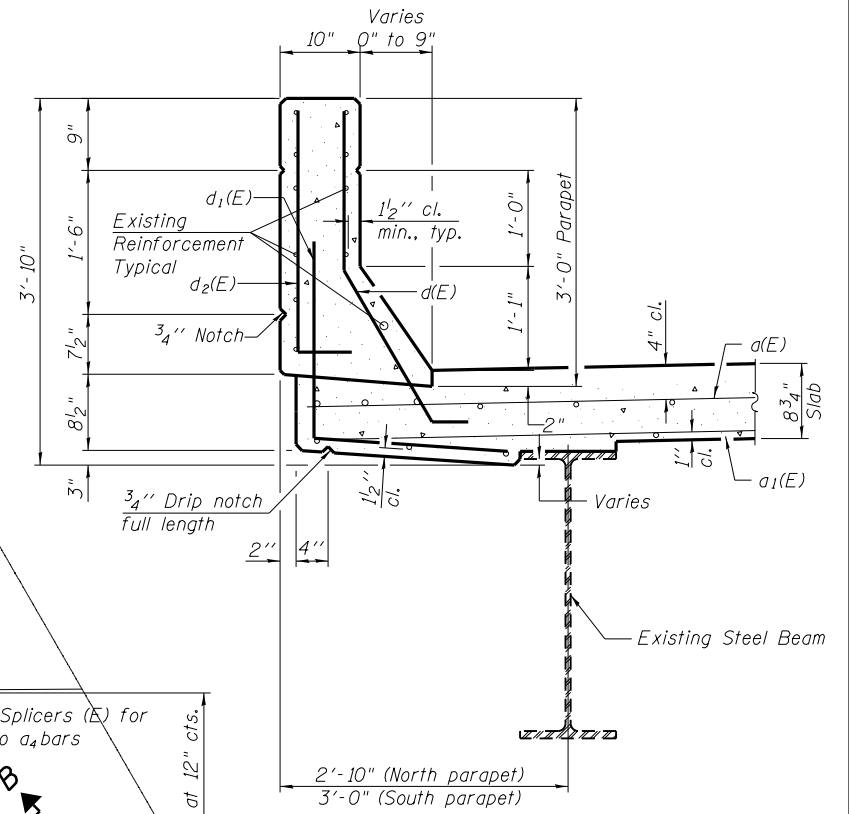


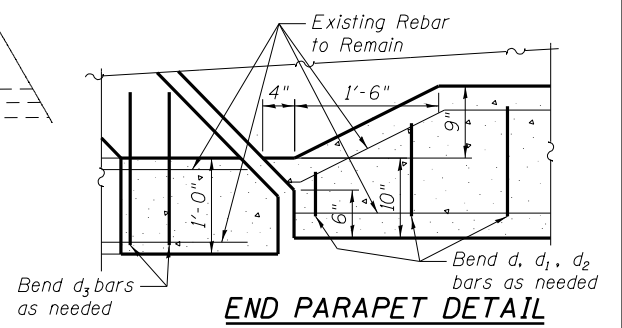
CONCRETE REMOVAL
(West Abut. shown)
(East Abut. similar)



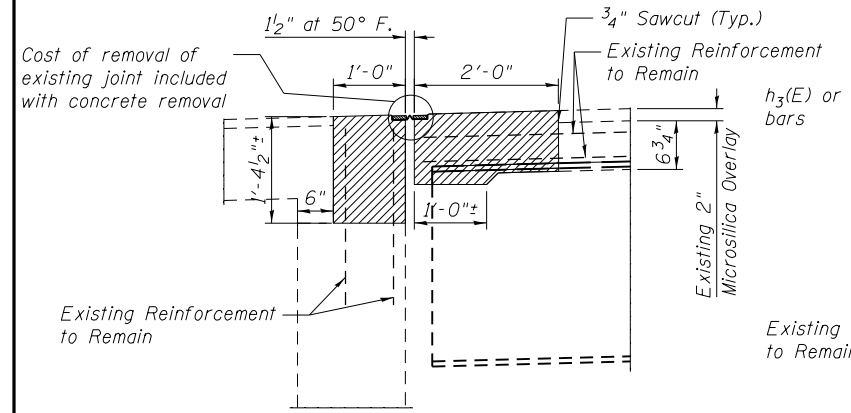
CONCRETE REPLACEMENT
(West Abut. shown)
(East Abut. similar)



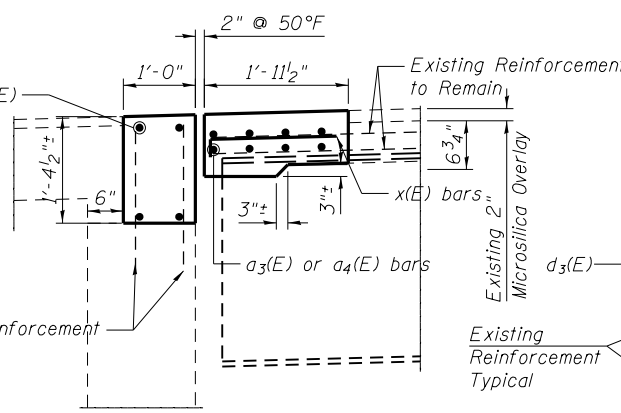
SECTION C-C



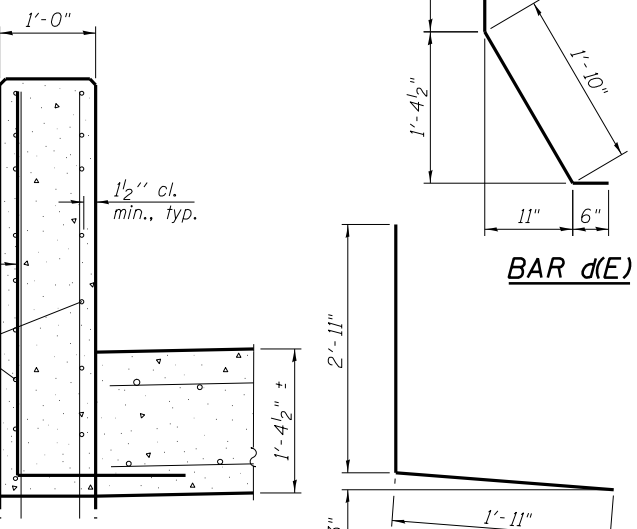
END PARAPET DETAIL



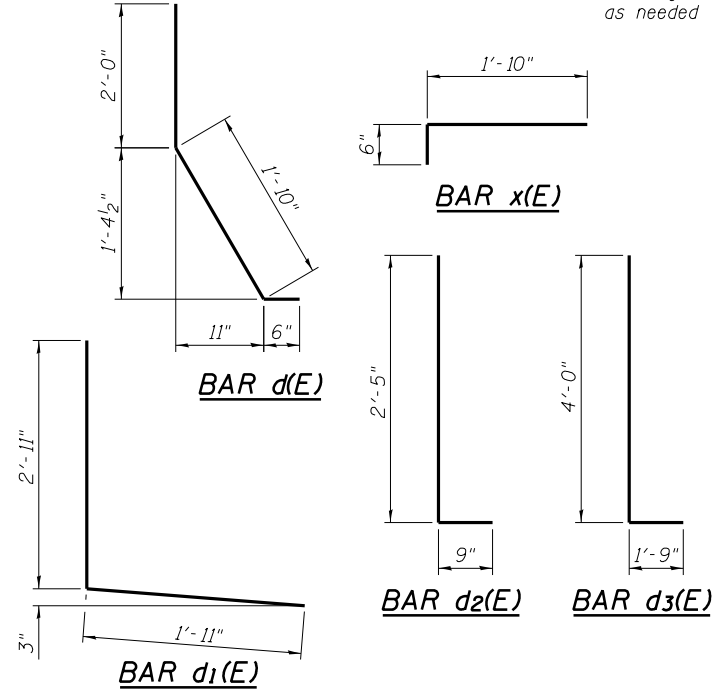
SECTION A-A



SECTION B-B



SECTION D-D



SUPERSTRUCTURE BILL OF MATERIAL

Bar	No.	Size	Length	Shape
a3(E)	32	#6	25'-5"	—
a4(E)	16	#6	16'-10"	—
d(E)	12	#5	4'-4"	┌
d1(E)	12	#4	4'-1"	┌
d2(E)	12	#4	3'-2"	┌
d3(E)	8	#4	5'-9"	┌
h3(E)	16	#6	25'-3"	—
h4(E)	8	#6	17'-0"	—
x(E)	98	#5	3'-0"	┌
Bar Splicers			Each	48
Reinforcement Bars, Epoxy Coated			Pound	2890
Concrete Superstructure			Cu. Yds.	17.7
Concrete Removal			Cu. Yds.	17.9
Preformed Strip Seal			Foot	141

BENTON & ASSOCIATES, INC.

FILE NAME = P:\10e2166-2\ Design\	USER NAME =	DESIGNED - MBH	REVISED - 10/3/13
Plans\ 082-0154 & 082-0155		CHECKED - SJH	REVISED -
0820154-76022-006-Joint.dgn	PLOT SCALE =	DRAWN - MBH	REVISED -
	PLOT DATE	CHECKED - SJH	REVISED -

**STATE OF ILLINOIS
DEPARTMENT OF TRANSPORTATION**

**CONCRETE REMOVAL & REPLACEMENT
STRUCTURE NO. 082-0155**

SHEET NO. 7 OF 10 SHEETS

F.A.I. RTE.	SECTION	COUNTY	TOTAL SHEETS	SHEET NO.
64	82-1HB1-3	ST. CLAIR	208	144
CONTRACT NO. 76022				
FED. ROAD DIST. NO. 8 ILLINOIS FED. AID PROJECT				