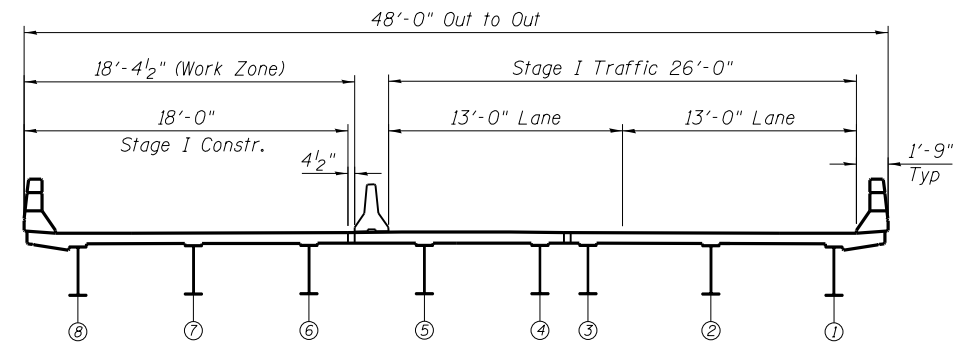
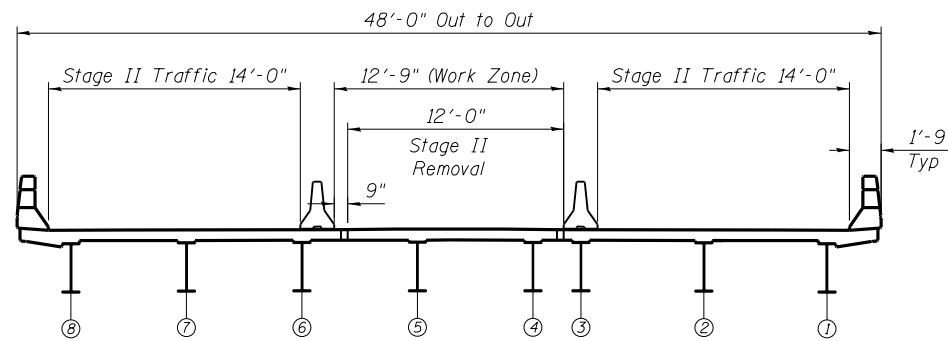


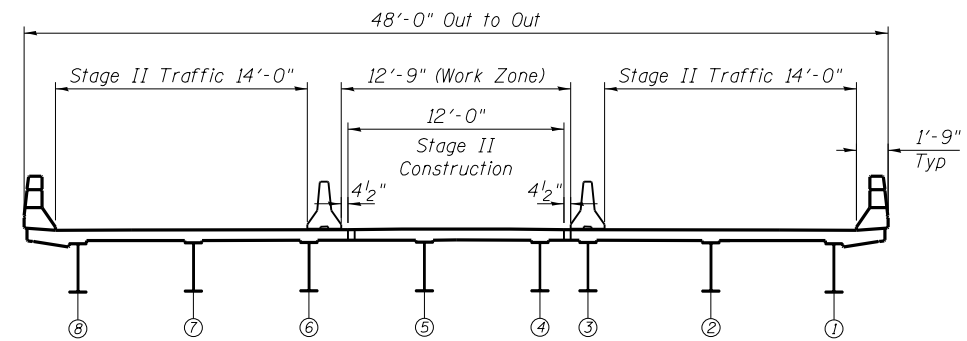
SN 082-0158 EASTBOUND CROSS SECTION
(Looking East)
STAGE I REMOVAL



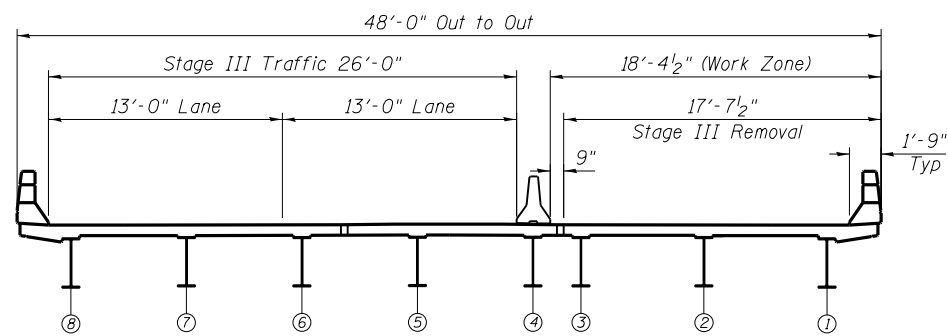
SN 082-0158 EASTBOUND CROSS SECTION
(Looking East)
STAGE I CONSTRUCTION



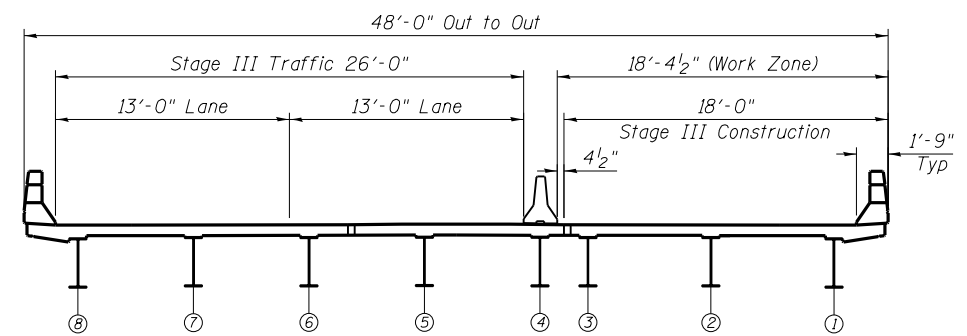
SN 082-0158 EASTBOUND CROSS SECTION
(Looking East)
STAGE II REMOVAL



SN 082-0158 EASTBOUND CROSS SECTION
(Looking East)
STAGE II CONSTRUCTION



SN 082-0158 EASTBOUND CROSS SECTION
(Looking East)
STAGE III REMOVAL



SN 082-0158 EASTBOUND CROSS SECTION
(Looking East)
STAGE III CONSTRUCTION

BENTON & ASSOCIATES, INC.

FILE NAME = P:\10e2166-2\Design\	USER NAME =	DESIGNED - MBH	REVISED -
Plans\082-0158 & 082-0159		CHECKED - SJH	REVISED -
0820158-76022-002-Staging.dgn	PLOT SCALE =	DRAWN - MBH	REVISED -
	PLOT DATE =	CHECKED - SJH	REVISED -

STATE OF ILLINOIS
DEPARTMENT OF TRANSPORTATION

STAGING SECTIONS
STRUCTURE NO. 082-0158

SHEET NO. 2 OF 8 SHEETS

F.A.I. RTE.	SECTION	COUNTY	TOTAL SHEETS	SHEET NO.
64	82-1VBI-1 / 82-1VBR-1	ST. CLAIR	208	160
CONTRACT NO. 76022				
FED. ROAD DIST. NO. 8 ILLINOIS FED. AID PROJECT				