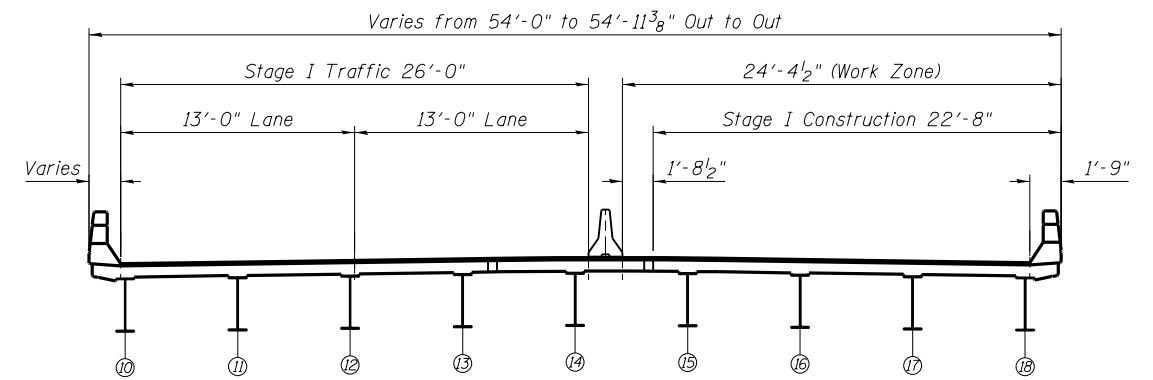
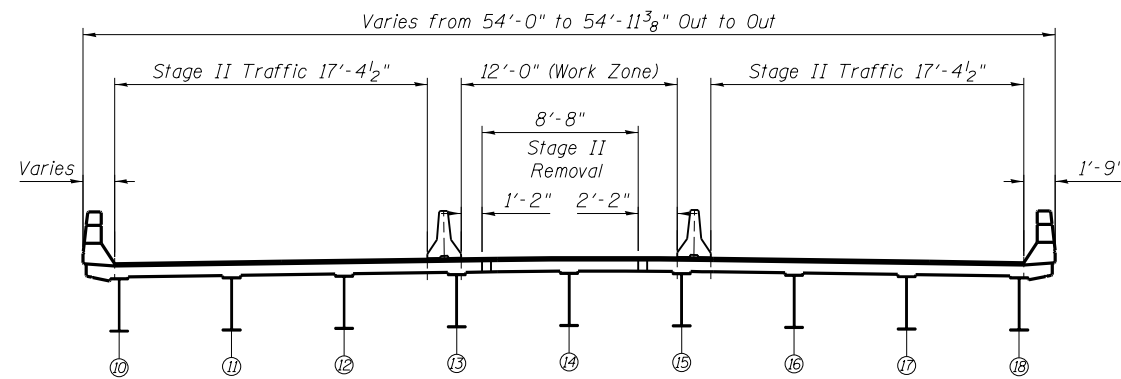


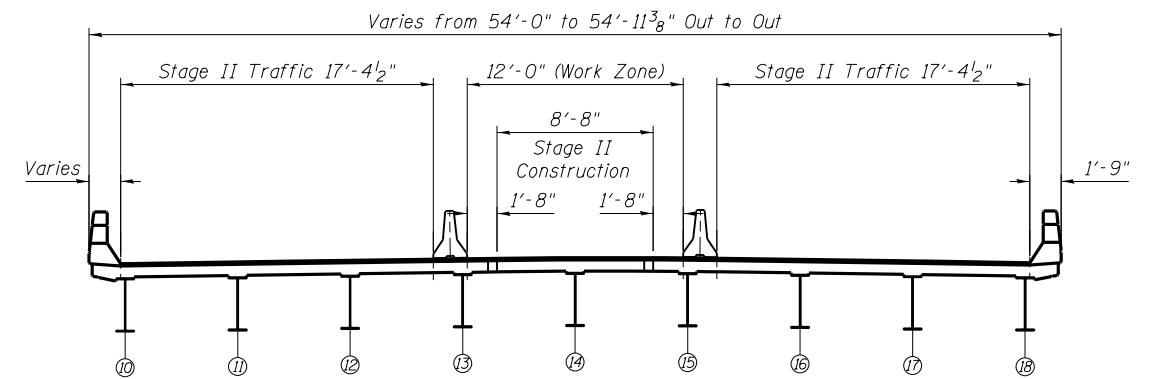
**SN 082-0160 EASTBOUND CROSS SECTION**  
(Looking East)  
**STAGE I REMOVAL**



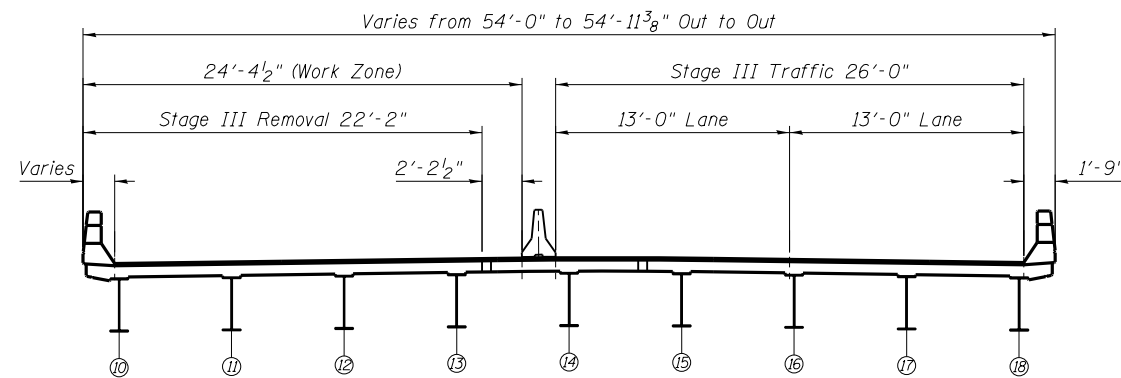
**SN 082-0160 EASTBOUND CROSS SECTION**  
(Looking East)  
**STAGE I CONSTRUCTION**



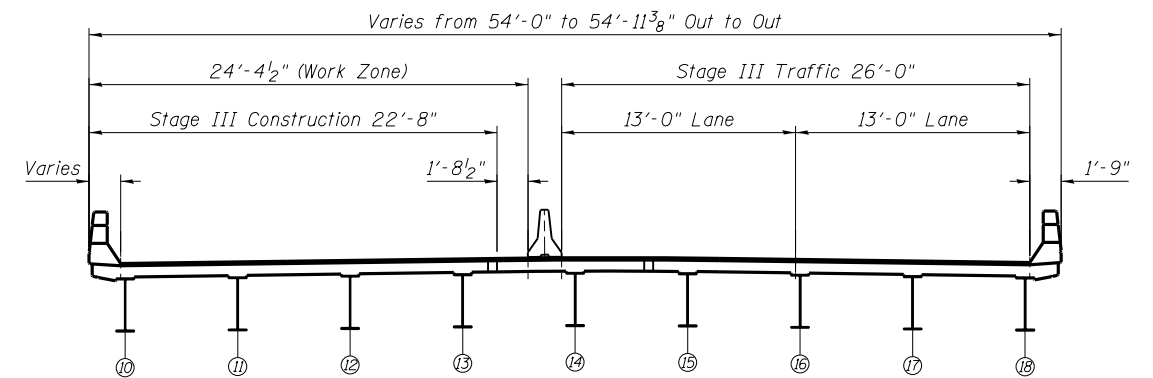
**SN 082-0160 EASTBOUND CROSS SECTION**  
(Looking East)  
**STAGE II REMOVAL**



**SN 082-0160 EASTBOUND CROSS SECTION**  
(Looking East)  
**STAGE II CONSTRUCTION**



**SN 082-0160 EASTBOUND CROSS SECTION**  
(Looking East)  
**STAGE III REMOVAL**



**SN 082-0160 EASTBOUND CROSS SECTION**  
(Looking East)  
**STAGE III CONSTRUCTION**

**BENTON & ASSOCIATES, INC.**

FILE NAME = P:\10e2166-2\Design\	USER NAME =	DESIGNED - MBH	REVISED -
Plans\082-0160 & 082-0161		CHECKED - SJH	REVISED -
0820160-76022-002-Staging.dgn	PLOT SCALE =	DRAWN - JAS	REVISED -
	PLOT DATE =	CHECKED - SJH	REVISED -

**STATE OF ILLINOIS**  
**DEPARTMENT OF TRANSPORTATION**

**STAGING SECTIONS**  
**STRUCTURE NO. 082-0160**

SHEET NO. 2 OF 10 SHEETS

F.A.I. RTE.	SECTION	COUNTY	TOTAL SHEETS	SHEET NO.
64	82-2HBI	ST. CLAIR	208	168
CONTRACT NO. 76022				
FED. ROAD DIST. NO. 8 ILLINOIS FED. AID PROJECT				