

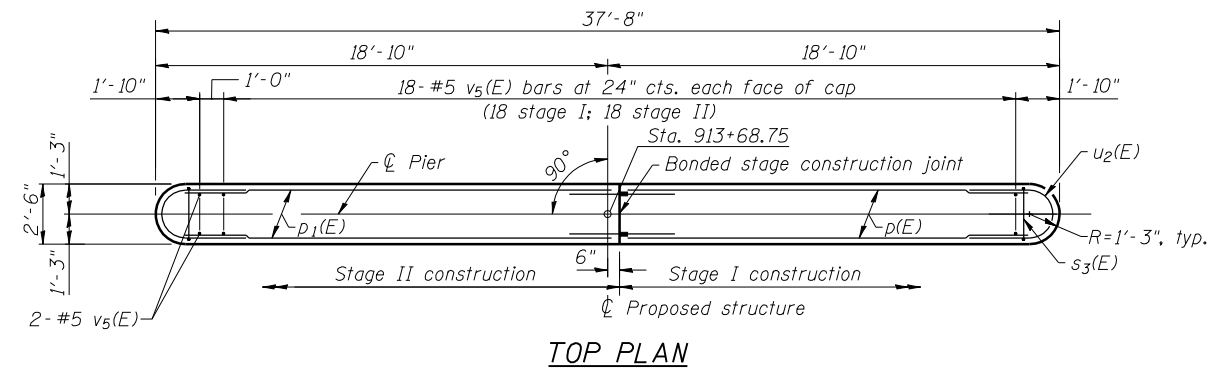
**PIER 2
BILL OF MATERIAL**

Bar	No.	Size	Length	Shape
$h_2(E)$	12	#5	17'-8"	—
$h_3(E)$	12	#5	18'-8"	—
$p(E)$	7	#7	16'-10"	—
$D_1(E)$	7	#7	17'-10"	—
$s_2(E)$	96	#4	3'-3"	□
$s_3(E)$	31	#4	10'-5"	□
$u_1(E)$	12	#5	9'-4"	U
$u_2(E)$	6	#5	7'-8"	U
$v_4(E)$	76	#5	8'-4"	—
$v_5(E)$	38	#5	3'-8"	—
Cofferdam Excavation	Cu. Yd.		55	
Concrete Structures	Cu. Yd.		29.6	
Reinforcement Bars, Epoxy Coated	Pound		2350	
Cofferdam (Type 1) (Location 2)	Each		1	
Test Pile, Steel HP14x89	Each		1	
Furnishing Steel Piles, HP14x89	Foot		427	
Driving Piles	Foot		427	
Bar Splicers	Each		19	

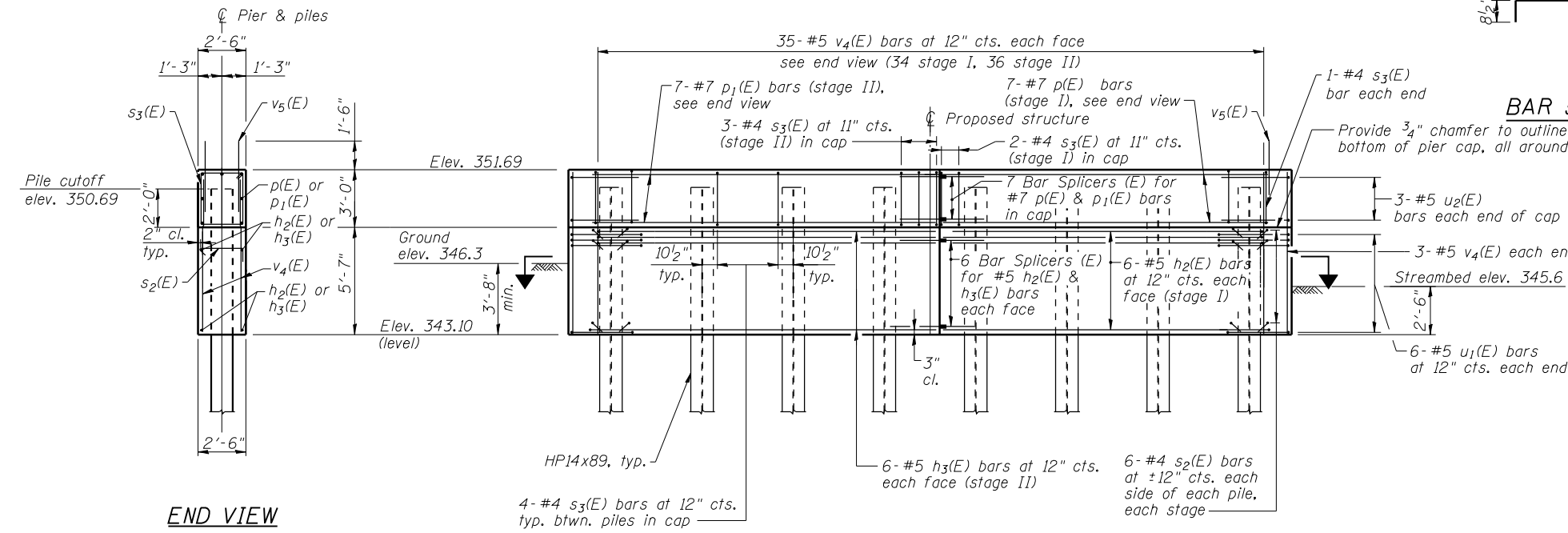
For details of piles, see sheet 18 of 21.
For details of Bar Splicers, see sheet 19 of 21.

PILE DATA

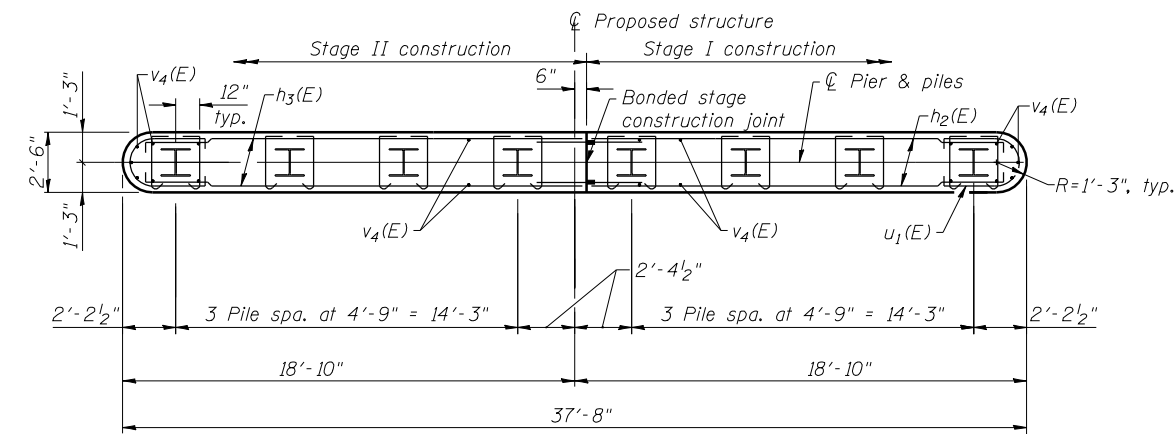
Type: Steel HP14x89
Nominal Required Bearing: 705 kips
Factored Resistance Available: 386 kips
Estimated Length: 61'
No. of Production Piles: 7
No. of Test Piles: 1



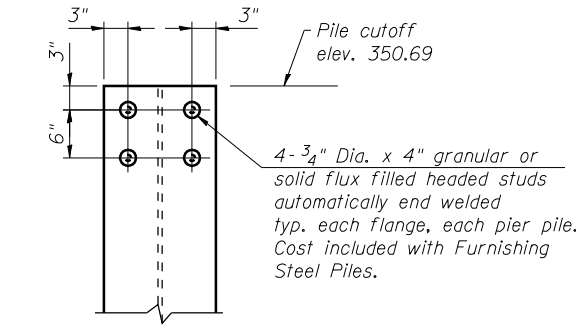
TOP PLAN



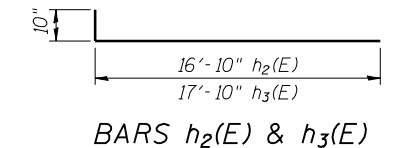
**ELEVATION
(Looking East)**



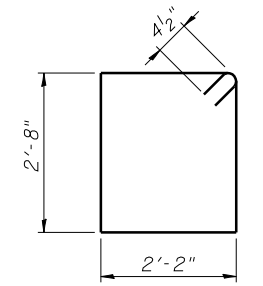
SECTION



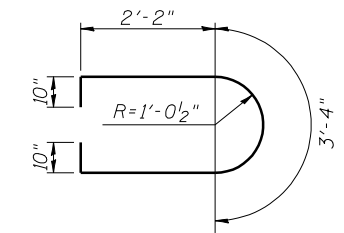
TOP OF PILE DETAIL



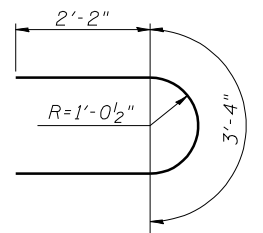
BARS $h_2(E)$ & $h_3(E)$



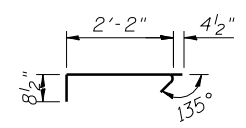
BAR $s_3(E)$



BAR $u_1(E)$



BAR $u_2(E)$



BAR $s_2(E)$



USER NAME = has	DESIGNED - SHL 12/12	REVISED -
ESCA PROJECT NO. 988.12	CHECKED - RDP 03/13	REVISED -
PLOT SCALE = 1/8" = 1' / IN.	DRAWN - HAS 12/12	REVISED -
PLOT DATE = 8/2/2013 11:40:47 AM	CHECKED - RDP 06/13	REVISED -

**STATE OF ILLINOIS
DEPARTMENT OF TRANSPORTATION**

**PIER 2
STRUCTURE NO. 076-0032**

SHEET NO. 17 OF 21 SHEETS

F.A.P. RTE.	SECTION	COUNTY	TOTAL SHEETS	SHEET NO.
885	112B-1	POPE	56	39
CONTRACT NO. 78230			ILLINOIS FED. AID PROJECT AID	