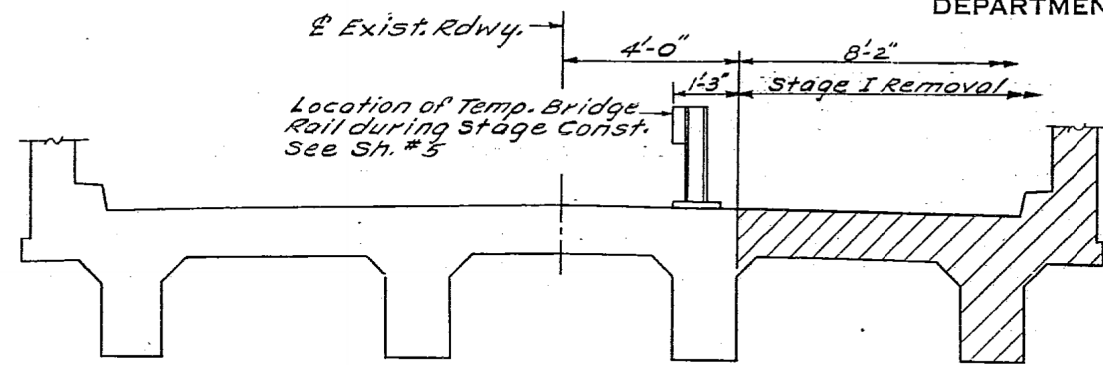


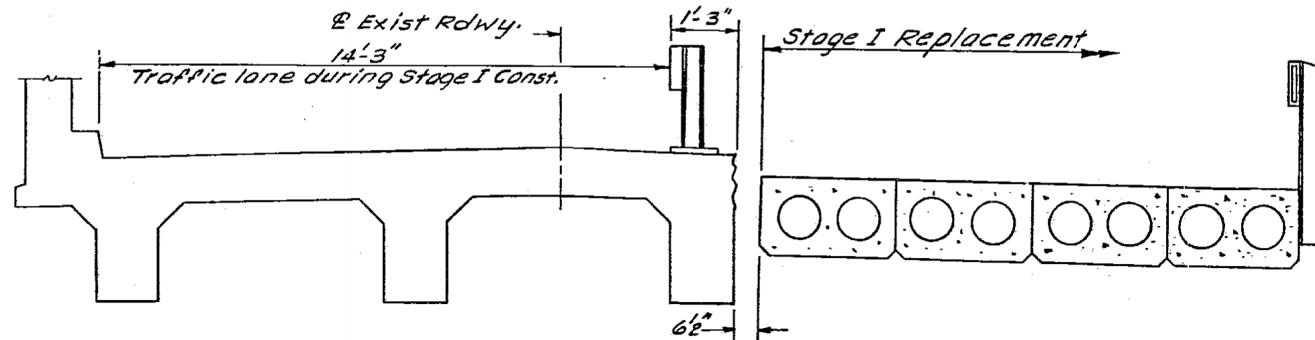
STATE OF ILLINOIS
DEPARTMENT OF TRANSPORTATION

ROUTE NO.	SECTION	COUNTY	TOTAL SHEETS	SHEET NO.
F.A. 885	112 B-DR	POPE	16	10
FED. ROAD DIST. NO. 7		ILL. ROAD PROJ. NO. 102	PROJECT	

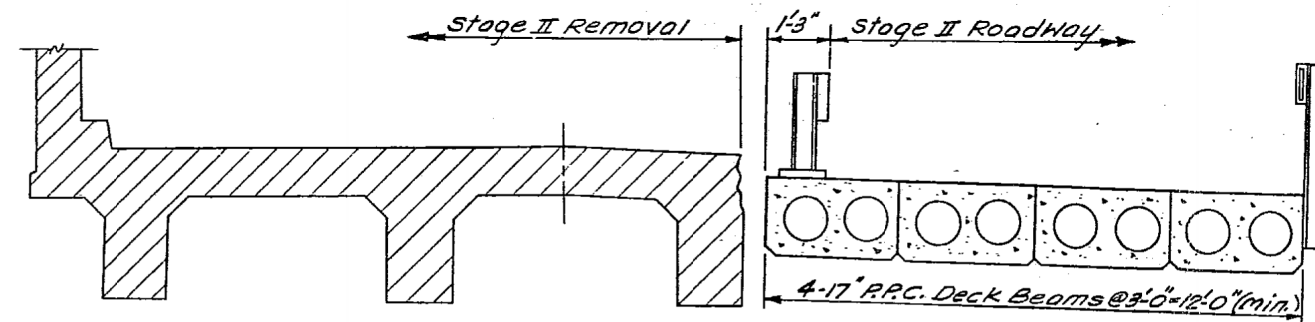
SHEET NO. 2
8 SHEETS



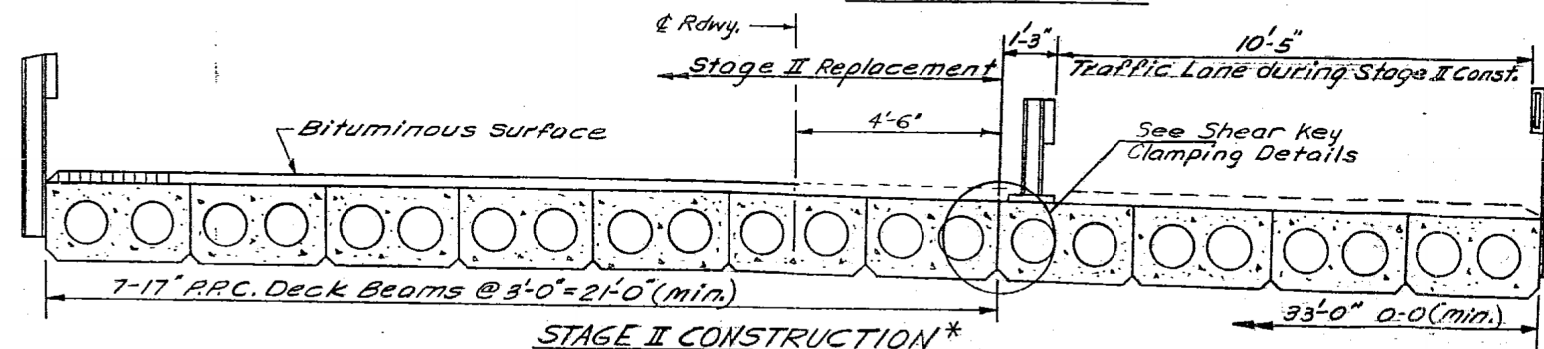
STAGE I REMOVAL*



STAGE I CONSTRUCTION*

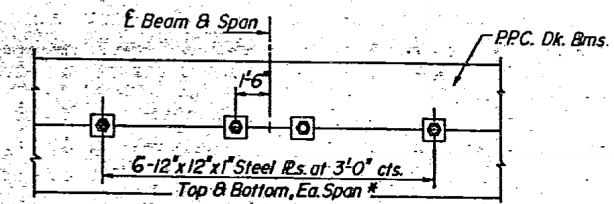


STAGE II REMOVAL*



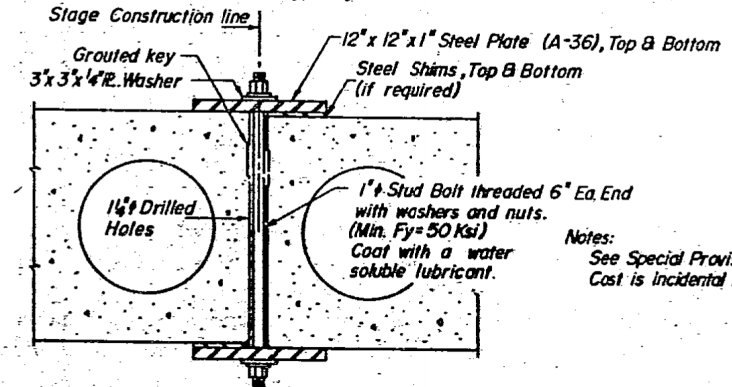
STAGE II CONSTRUCTION*

* Looking East



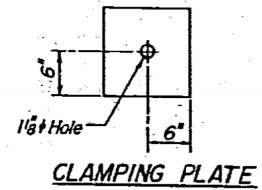
PLAN

* Space plates to miss Temporary Bridge Rail Posts.

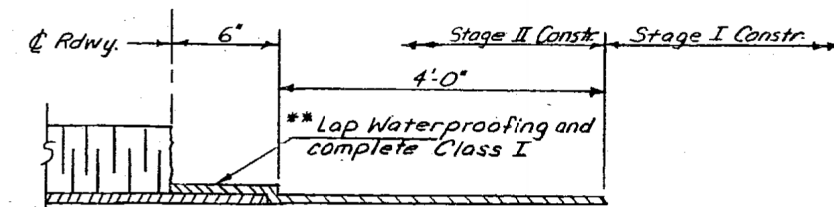


SECTION

SHEAR KEY CLAMPING DETAIL
AT STAGE CONSTRUCTION JOINT



CLAMPING PLATE



WATERPROOFING TREATMENT

Note:
Grout 1" Bolt holes in Deck Beams upon removal of Temporary Guardrail before the application of Class I.

- ** Class I and Waterproofing shall be completed after:
- 1.) The deck beams for Stage II Constr. are erected, grouted and waterproofing and Class I are in place.
 - 2.) Temporary Bridge Rail for Stage II Rdwy. has been removed.
 - 3.) Shear key clamping devices have been removed.

DESIGNED <i>Benjamin J. Davis</i>	EXAMINED <i>Carl E. Thompson</i>
CHECKED <i>Steven C. Owens</i>	PASSED
DRAWN <i>JH</i>	APPROVED
CHECKED <i>BV6 SCD</i>	

April 8 1981
ENGINEER OF BRIDGES AND TRAFFIC STRUCTURES
DIRECTOR OF HIGHWAYS

FOR INFORMATION ONLY

STAGE CONSTRUCTION DETAILS
F.A. RT.885 SEC.112B-DR
POPE COUNTY
STA.913+50.00



USER NAME = has	DESIGNED - JMS	REVISED -
ESCA PROJECT NO. 988.12	DRAWN - HAS	REVISED -
PLOT SCALE = 0.1667 / IN.	CHECKED - RDP	REVISED -
PLOT DATE = 8/2/2013 11:42:53 AM	DATE - 03/13	REVISED -

STATE OF ILLINOIS
DEPARTMENT OF TRANSPORTATION

EXISTING STRUCTURE PLANS - FOR INFORMATION ONLY	
STRUCTURE NO. 076-0009	
SCALE:	SHEET NO. 2 OF 8 SHEETS STA. TO STA.

F.A.P. RTE.	SECTION	COUNTY	TOTAL SHEETS	SHEET NO.
885	112B-1	POPE	56	45
FED. ROAD DIST. NO.		ILLINOIS FED. AID PROJECT AID	CONTRACT NO. 78230	