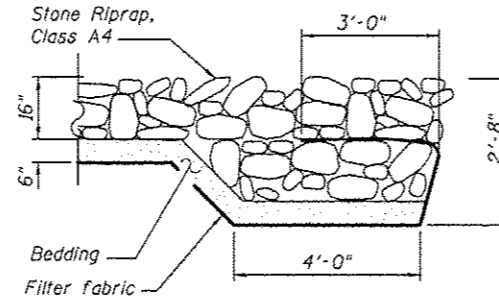


INDEX OF SHEETS

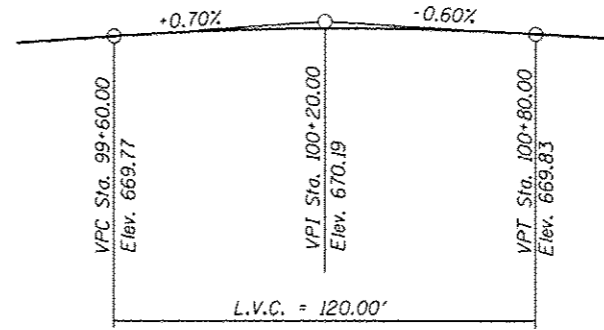
- S1 - General Plan
- S2 - Index of Sheets & Bill of Materials
- S3 - Stage Construction Details
- S4 - Temporary Concrete Barrier
- S5 - Geotextile Retaining Wall
- S6 - Sidewalk & Parapet Plan
- S7 - Aluminum Railing, Type L
- S8 - Foundation Plan and Details
- S9 - Wingwall Plan and Details 1
- S10 - Wingwall Plan and Details 2
- S11 - Wingwall Details
- S12 - Bar Splicer Assembly Details
- S13 - Soil Borings

STATION 100+00.15
 BUILT 2011 BY
 STATE OF ILLINOIS
 F.A.P. 870/RTE. IL-53
 LOADING HS20
 STRUCTURE NO. 022-3054

NAME PLATE
 See Std. 515001



SECTION A-A

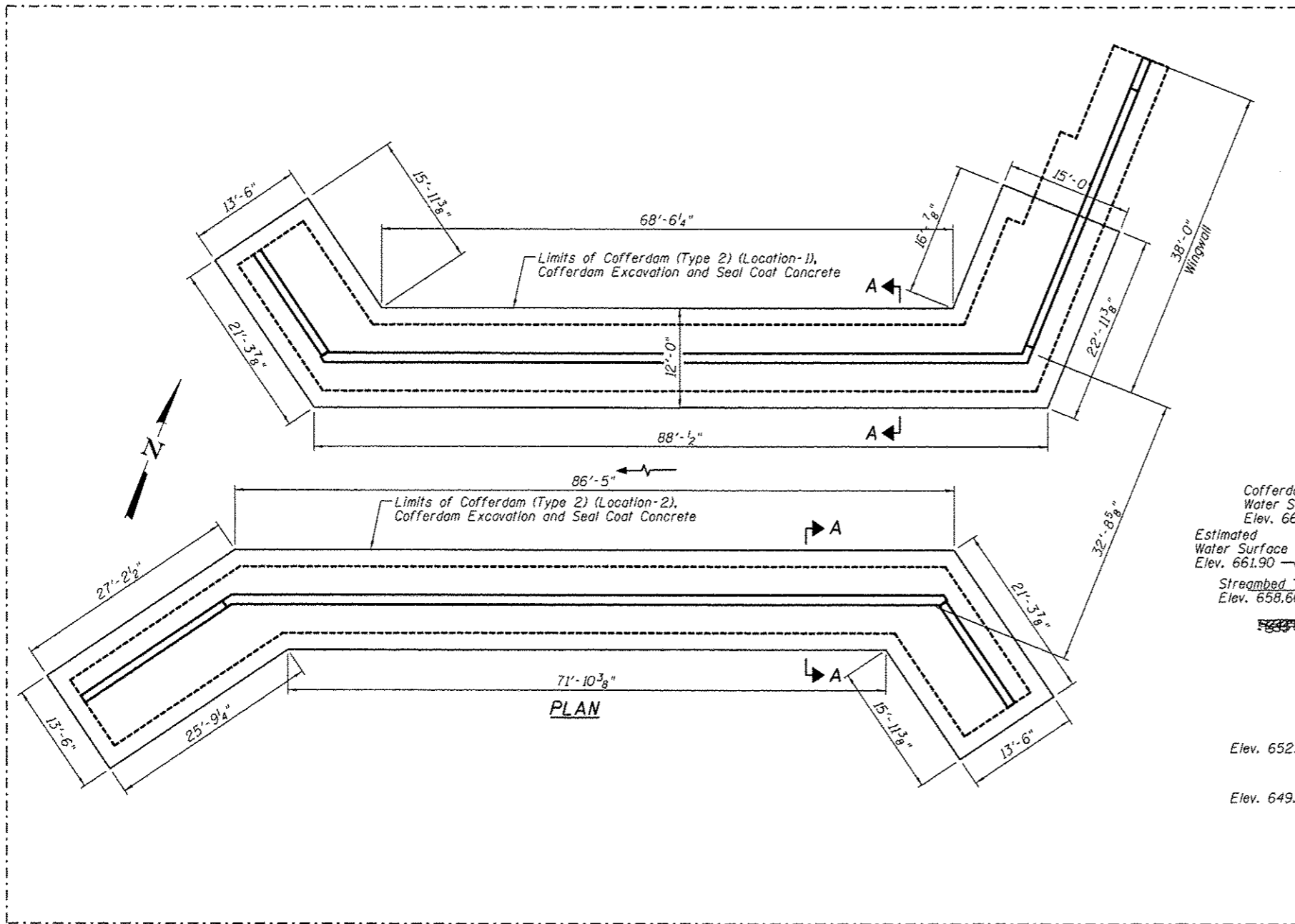


PROFILE GRADE - IL RTE. 53

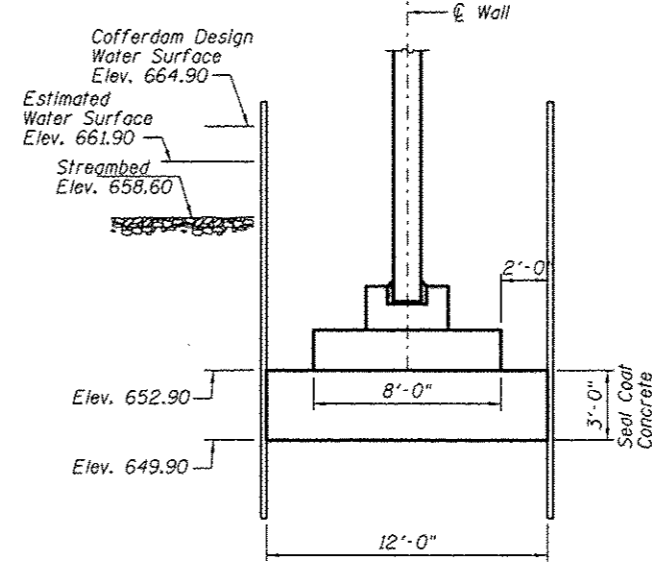
TOTAL BILL OF MATERIAL

ITEM	UNIT	TOTAL
Removal of Existing Structures	Each	1
Name Plates	Each	1
Concrete Structures	Cu. Yd.	253.5
Concrete Superstructure	Cu. Yd.	13.0
** Protective Coat	Sq. Yd.	92
Reinforcement Bars	Pound	18,610
Reinforcement Bars, Epoxy Coated	Pound	12,130
Three Sided Precast Concrete Structures, 28"x10'	Foot	83.3
Temporary Soil Retention System	Sq. Ft.	444
Stone Riprap, Class A4	Sq. Yd.	697
Filter Fabric	Sq. Yd.	697
Aluminum Railing, Type L	Foot	87
Bar Splicers	Each	78
Geotextile Retaining Wall	Sq. Ft.	115
* Porous Granular Embankment	Cu. Yd.	7
Structure Excavation	Cu. Yd.	105
Seal Coat Concrete	Cu. Yd.	338.1
Cofferdam (Type 2) (Location-1)	Each	1
Cofferdam (Type 2) (Location-2)	Each	1
Cofferdam Excavation	Cu. Yd.	1,056

- * Use to fill the voids left after the pile caps and wingwalls in the four corners of the existing structure have been removed.
- ** Protective Coat shall be applied to top and inside surfaces of End Posts and Parapets.



PLAN



SECTION A-A

Note:
 The water surface elevation of 664.90 is the basis of the cofferdam design. It is the Contractor's responsibility to provide a design of the cofferdam, verification of the Seal Coat Concrete thickness, which is shown in this plan, and all the appurtenances required and must be submitted to the Engineer for review and approval.



USER NAME *	DESIGNED - JPM	REVISED / 10/19/2012 JPM
PLOT SCALE *	CHECKED - JXH	REVISED -
PLOT DATE *	DRAWN - MPS	REVISED -
	CHECKED - JPM/JXH/TPG	REVISED -

STATE OF ILLINOIS
 DEPARTMENT OF TRANSPORTATION

INDEX OF SHEETS & BILL OF MATERIALS
 STRUCTURE NO. 022-3054 STA. 100+00.15

SHEET NO. 52 OF 513 SHEETS

F.A.P. RTE.	SECTION	COUNTY	TOTAL SHEETS	SHEET NO.
870	534R-B	DUPAGE	53	31
DATE: AUGUST 03, 2012 ILLINOIS FED. AID PROJECT			CONTRACT NO. 60M83	