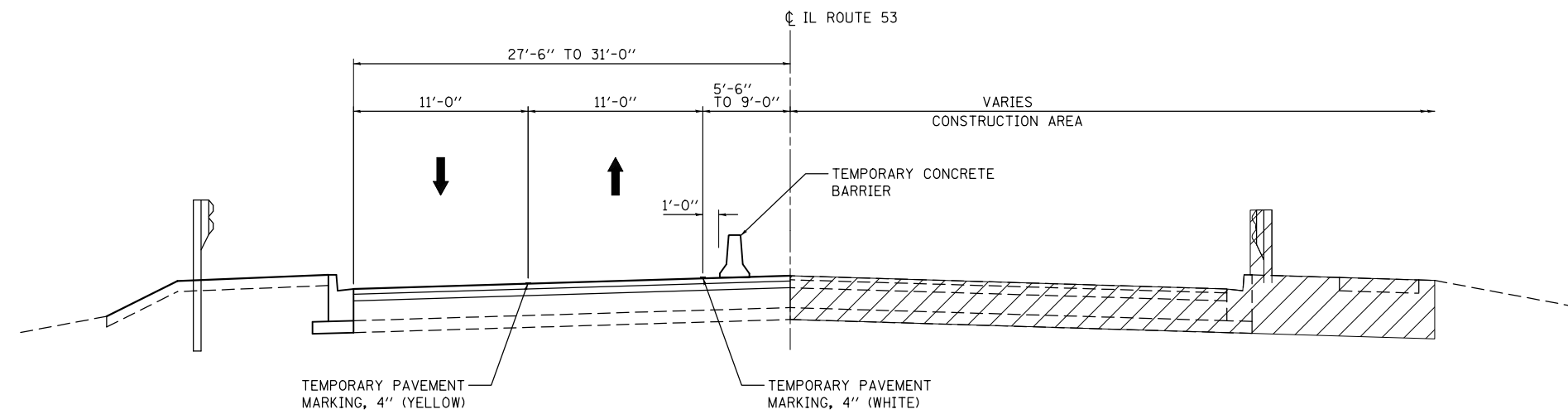


**STAGE 1**  
**STA. 98 + 63 TO STA. 101 + 65**



**STAGE 2**  
**STA. 98 + 63 TO STA. 101 + 65**

FILE NAME =  
 ...\\D160M83-sht-staging-typical.dgn



|                 |           |
|-----------------|-----------|
| DESIGNED - ADW  | REVISED - |
| DRAWN - GEW     | REVISED - |
| CHECKED - RJD   | REVISED - |
| DATE - 8/3/2012 | REVISED - |

**STATE OF ILLINOIS**  
**DEPARTMENT OF TRANSPORTATION**

**IL ROUTE 53 OVER ST JOSEPH'S CREEK**  
**MAINTENANCE OF TRAFFIC**  
**TYPICAL SECTIONS**

SCALE: 1/2"=5' (HORIZ.) 1/4"=10' (VERT.) SHEET NO. 2 OF 4 SHEETS STA. TO STA.

| F.A.P. RTE.        | SECTION | COUNTY | TOTAL SHEETS              | SHEET NO. |
|--------------------|---------|--------|---------------------------|-----------|
| 870                | 534R-B  | DUPAGE | 53                        | 11        |
| CONTRACT NO. 60M83 |         |        | ILLINOIS FED. AID PROJECT |           |