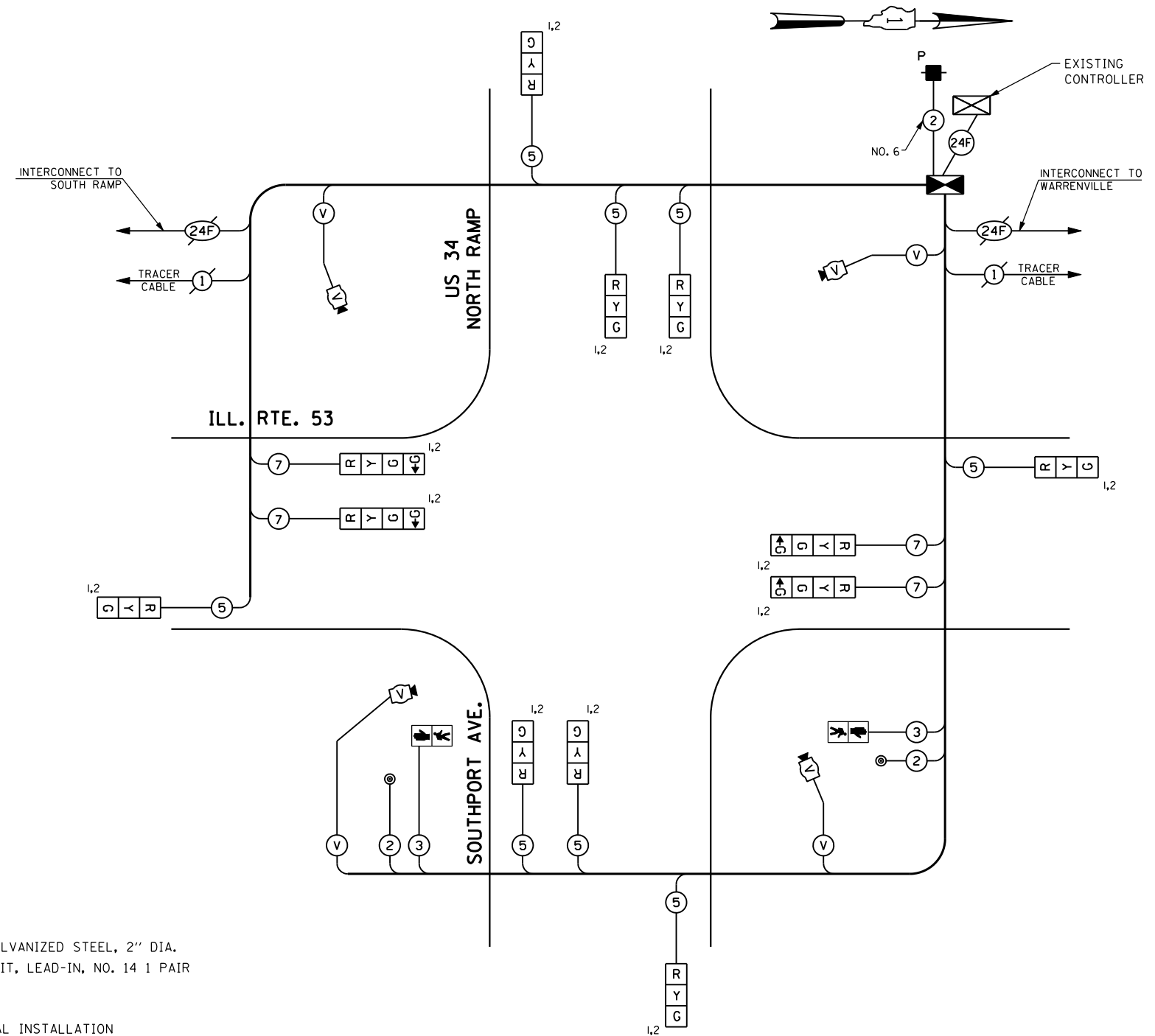


TEMPORARY PHASE DESIGNATION DIAGRAM
STAGES: STAGE 1 AND STAGE 2



SCHEDULE OF QUANTITIES

QUANTITY	UNIT	ITEM
299	FOOT	UNDERGROUND CONDUIT, GALVANIZED STEEL, 2" DIA.
328	FOOT	ELECTRIC CABLE IN CONDUIT, LEAD-IN, NO. 14 1 PAIR
2	EACH	DRILL EXISTING HANDHOLE
163	FOOT	DETECTOR LOOP, TYPE I
1	EACH	TEMPORARY TRAFFIC SIGNAL INSTALLATION
1	EACH	TEMPORARY TRAFFIC SIGNAL TIMING

FOR THE PAY ITEMS INCLUDED IN THE QUANTITIES FOR THE CONDUIT, DETECTOR LOOP TYPE I, AND RELATED ITEMS, REFER TO PROPOSED INTERCONNECT PLAN DRAWING.

TEMPORARY CABLE PLAN

(NOT TO SCALE)
STAGES: STAGE 1 AND STAGE 2

THE EXISTING TRAFFIC SIGNAL CONTROLLER SHALL BE DISABLED AND TRAFFIC SIGNAL HEADS SHALL BE BAGGED DURING THE TIME WHEN TEMPORARY TRAFFIC SIGNAL INSTALLATION IS IN OPERATION. NO EXTRA COMPENSATION SHALL BE ALLOWED FOR THE SAME AND SHALL BE INCIDENTAL TO PAY ITEM "TEMPORARY TRAFFIC SIGNAL INSTALLATION"

THE TRAFFIC SIGNAL CONTROL EQUIPMENT FOR THIS PROJECT SHALL BE "ECONOLITE" TO MATCH THE EXISTING ADJACENT SYSTEM.

I.D.O.T. TRAFFIC SIGNAL INSTALLATION ELECTRICAL SERVICE REQUIREMENTS					TOTAL WATTAGE
TYPE	NO LAMPS	WATTAGE		%OPERATION	
		INCAND.	LED		
SIGNAL (RED)	12	135	17	0.50	102
(YELLOW)	12	135	25	0.25	75
(GREEN)	16	135	15	0.25	60
ARROW		135	12	0.10	
PED. SIGNAL	2	90	25	1.00	50
CONTROLLER	1	100	100	1.00	100
ILLUM. SIGN			25	1.00	
VIDEO SYSTEM	1	150		1.00	150
FLASHER				0.50	
ENERGY COSTS TO:				TOTAL =	537

ILLINOIS DEPARTMENT OF TRANSPORTATION
201 WEST CENTER COURT
SCHAUMBURG, ILLINOIS 60196-1096

ENERGY SUPPLY CONTACT: ELEANOR SARALLO
PHONE: (630) 424-5124
COMPANY: COMMONWEALTH EDISON

FILE NAME =	USER NAME = \$USER\$	DESIGNED - PKG	REVISED -
*FILEL\$		DRAWN - EA, MG	REVISED -
		CHECKED - PKG	REVISED -
		DATE - 08/03/2012	REVISED -

STATE OF ILLINOIS DEPARTMENT OF TRANSPORTATION

TEMPORARY CABLE PLAN, TEMPORARY PHASE DESIGNATION DIAGRAM, AND SCHEDULE OF QUANTITIES			
ILL. RTE. 53 AT US 34 NORTH RAMP/SOUTHPORT AVE. STAGE 1 AND STAGE 2 (SHEET 2 OF 2)			
SCALE: N.T.S.	SHEET NO. OF SHEETS	STA. TO STA.	

F.A.P. RTE.	SECTION	COUNTY	TOTAL SHEETS	SHEET NO.
870	534R-B	DuPAGE	53	27
FED. ROAD DIST. NO. 1 ILLINOIS FED. AID PROJECT			CONTRACT NO. 60M83	