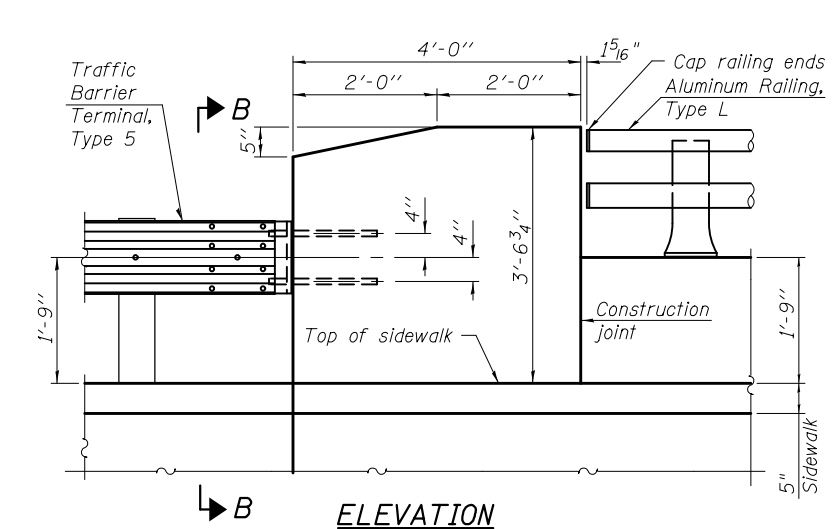


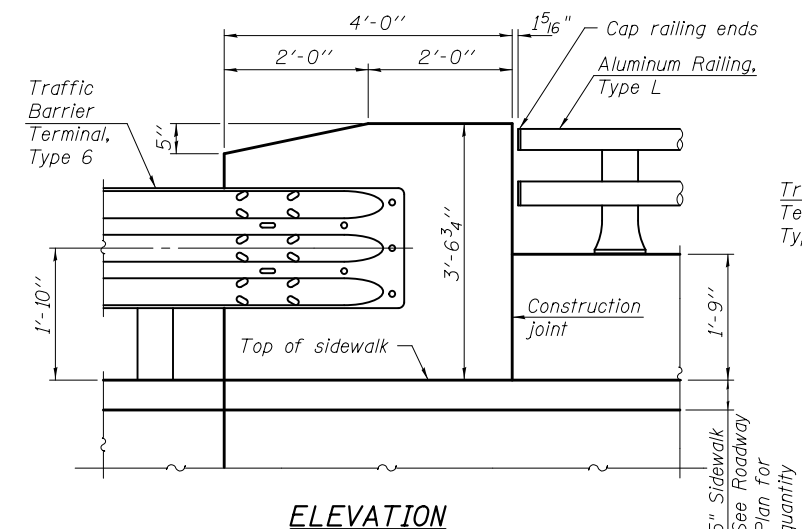
PARTIAL PLAN OF THREE SIDED STRUCTURE AND PARAPET/HEADWALL

* The cost of the bar splicer assemblies for the headwall shall be included in the cost of the Three-Sided Precast Concrete Structures, 28'x10'

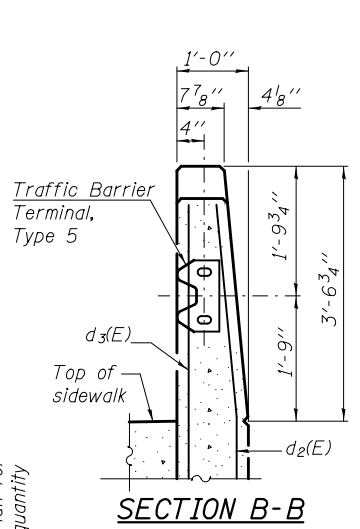
O.F. = Outside Face
I.F. = Inside Face



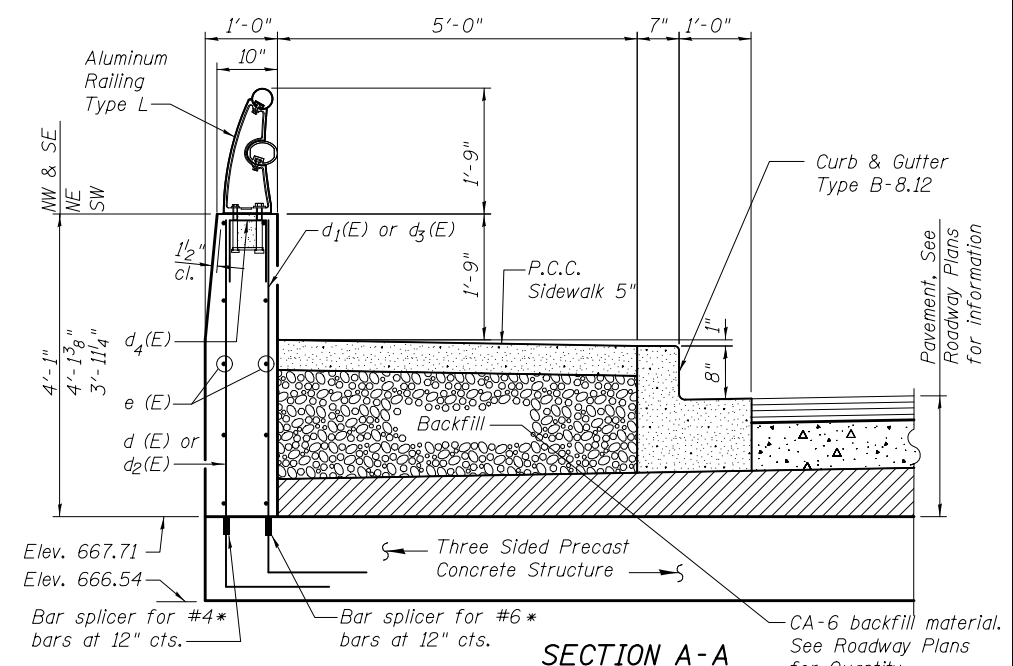
ELEVATION



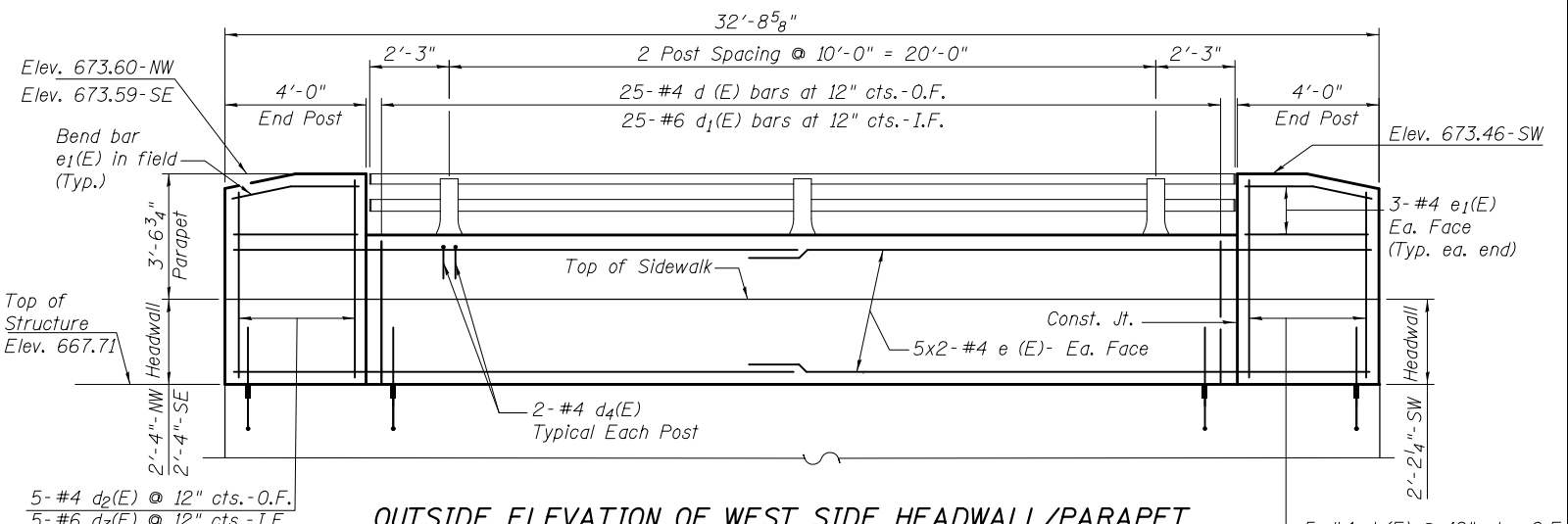
ELEVATION



SECTION B-B



SECTION A-A

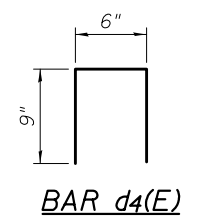


OUTSIDE ELEVATION OF WEST SIDE HEADWALL/PARAPET
(East Side - See Sheet No. S10 & S11 of S13)

**BILL OF MATERIAL **
HEADWALLS AND PARAPETS**

Bar	No.	Size	Length	Shape
d (E)	89	#4	3'-9"	—
d1(E)	55	#6	3'-9"	—
d2(E)	20	#4	5'-7"	—
d3(E)	15	#6	5'-7"	—
d4(E)	20	#4	2'-0"	□
d5(E)	34	#6	4'-9"	—
d6(E)	5	#6	6'-6"	—
e (E)	40	#4	17'-9"	—
e1(E)	24	#4	3'-9"	—
e2(E)	12	#4	19'-8"	—
Item	Unit	Total		
Reinforcement Bars, Epoxy Coated	Pound	1,750		
Concrete Superstructure	Cu. Yd.	13.0		
Protective Coat	Sq. Yd.	92		

** Includes parapet over N.E. Wingwall



BAR d4(E)



USER NAME =	DESIGNED - JPM	REVISED -
PLOT SCALE =	CHECKED - JXH	REVISED -
PLOT DATE =	DRAWN - MPS	REVISED -
	CHECKED - JPM/JXH/TPG	REVISED -

**STATE OF ILLINOIS
DEPARTMENT OF TRANSPORTATION**

**SIDEWALK & PARAPET PLAN
STRUCTURE NO. 022-3054 STA. 100 + 00.15**

SHEET NO. 56 OF 513 SHEETS

F.A.P. RTE.	SECTION	COUNTY	TOTAL SHEETS	SHEET NO.
870	534R-B	DUPAGE	53	35
CONTRACT NO. 60M83				
DATE: AUGUST 03, 2012 ILLINOIS FED. AID PROJECT				