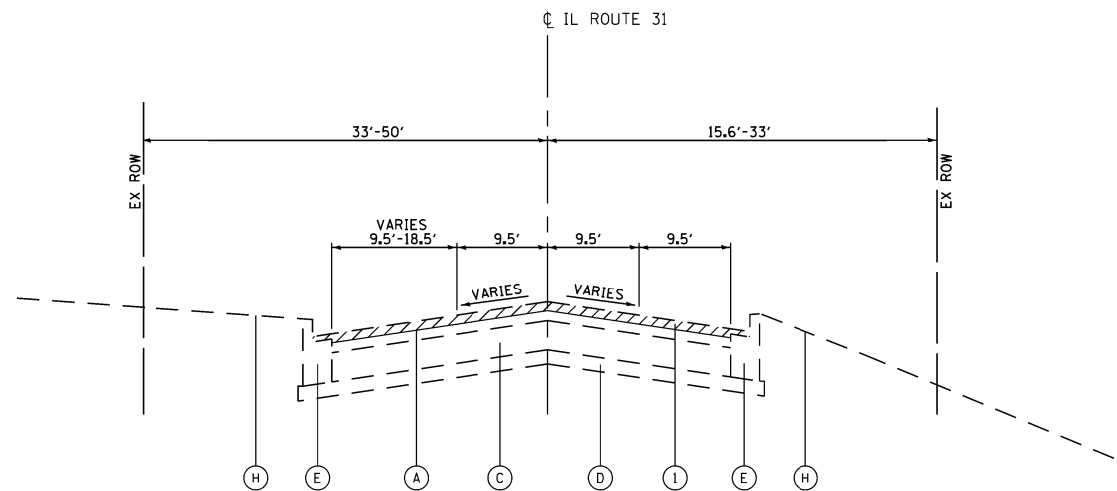


EXISTING MOOSEHEART ROAD TYPICAL SECTION

STA. 54+20.00 TO STA. 66+01.24

* 3'-5' HMA SHOULDER - STA. 56+50.00 TO STA. 58+20.00



EXISTING ILLINOIS ROUTE 31 TYPICAL SECTION

STA. 23+46.39 TO STA. 34+81.54

EXISTING CONDITIONS

- (A) HMA RESURFACING, VARIES 3"-5"
- (B) HMA PAVEMENT, VARIES 7"-9"
- (C) PCC PAVEMENT, VARIES 6"-8.5"
- (D) AGGREGATE SUBBASE, VARIES 2"-3"
- (E) COMBINATION CONCRETE CURB AND GUTTER
- (F) AGGREGATE SHOULDERS
- (H) EXISTING GROUND

PROPOSED IMPROVEMENTS

- (1) HOT-MIX ASPHALT SURFACE REMOVAL, VARIES 0.5"-2"
- (2) POLYMERIZED HOT-MIX ASPHALT SURFACE COURSE, MIX "F", N90, 2"
- (3) HOT-MIX ASPHALT BASE COURSE, 6 1/4"
- (4) HOT-MIX ASPHALT BASE COURSE WIDENING, 8"
- (5) LEVELING BINDER (MACHINE METHOD), N90, VARIES 3/4" - 2 1/4"
- (6) AGGREGATE SUBGRADE IMPROVEMENT, 12" (SQ YD)
- (7) COMBINATION CONCRETE CURB & GUTTER TYPE B.6-24
- (8) HOT-MIX ASPHALT SHOULDERS, 8"
- (9) TOPSOIL, FURNISH AND PLACE, 4" WITH SODDING, SALT TOLERANT
- (10) GEOTECHNICAL FABRIC FOR GROUND STABILIZATION
- (11) RETAINING WALL
- (12) POLYMERIZED HOT-MIX ASPHALT BINDER COURSE, IL-19.0, N90, 2 1/4" - 4"
- (13) AGGREGATE SUBGRADE IMPROVEMENT (CU YD)
- (14) PIPE UNDERDRAINS, 6"
- (15) POLYMERIZED HOT-MIX ASPHALT BINDER COURSE, IL-19.0, N90, 2 1/4"
- (16) STRIP REFLECTIVE CRACK CONTROL TREATMENT
- (17) SAWCUT

COMPANY NAME: HRGreen
 PROJECT CONTACT: S. PERNAL
 DATE PLOTTED: 7/27/2012 3:27:04 PM
 FILE NAME: 8610019614-tyo-01.dgn
 PLOT DRIVER: pdf.plt
 PEN TABLE: standard-trans.tbl



USER NAME = spernal	DESIGNED - C. HARTKE	REVISED - C. HARTKE	8/3/2012
	DRAWN - S. PERNAL	REVISED -	
PLOT SCALE = N/A	CHECKED - T. HAMILTON	REVISED -	
PLOT DATE = 7/27/2012	DATE - 7/20/2012	REVISED -	

**STATE OF ILLINOIS
DEPARTMENT OF TRANSPORTATION**

**EXISTING TYPICAL SECTIONS
ILLINOIS ROUTE 31 AT MOOSEHEART ROAD**

SCALE: N/A SHEET NO. 1 OF 2 SHEETS STA. TO STA.

F.A. RTE.	SECTION	COUNTY	TOTAL SHEETS	SHEET NO.
3887	AR-N-2	KANE	85	16
FED. ROAD DIST. NO. ILLINOIS FED. AID PROJECT			CONTRACT NO. 60P65	