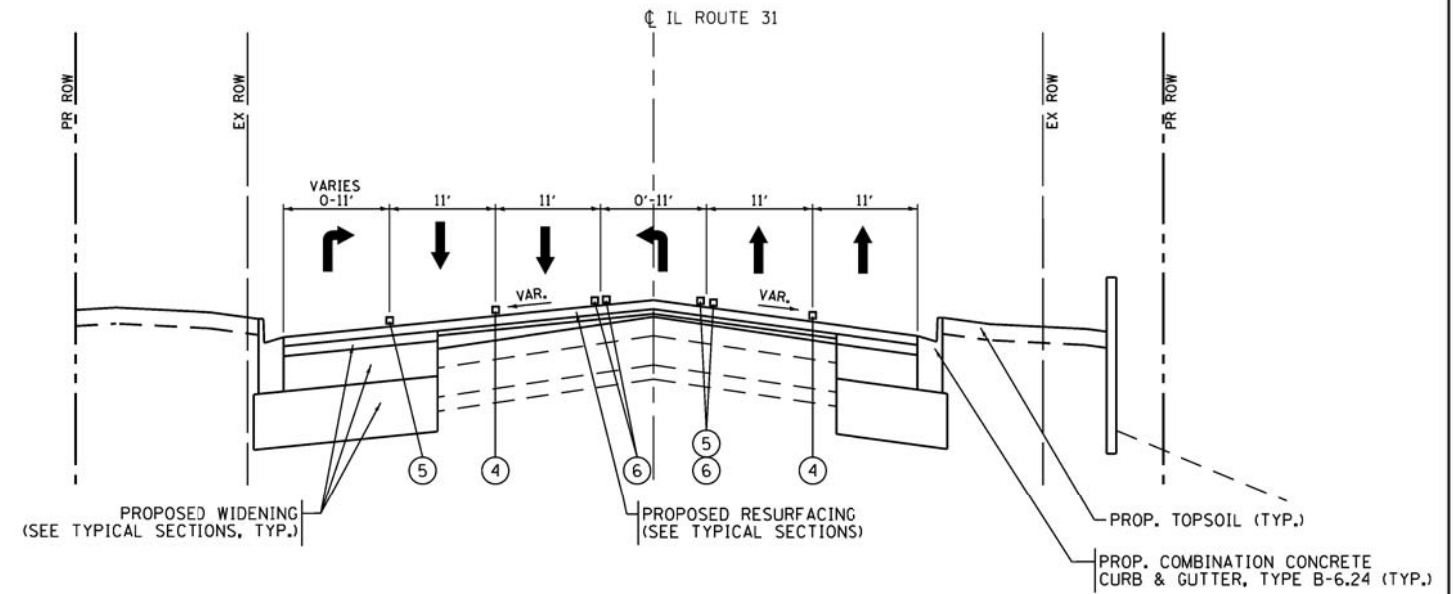
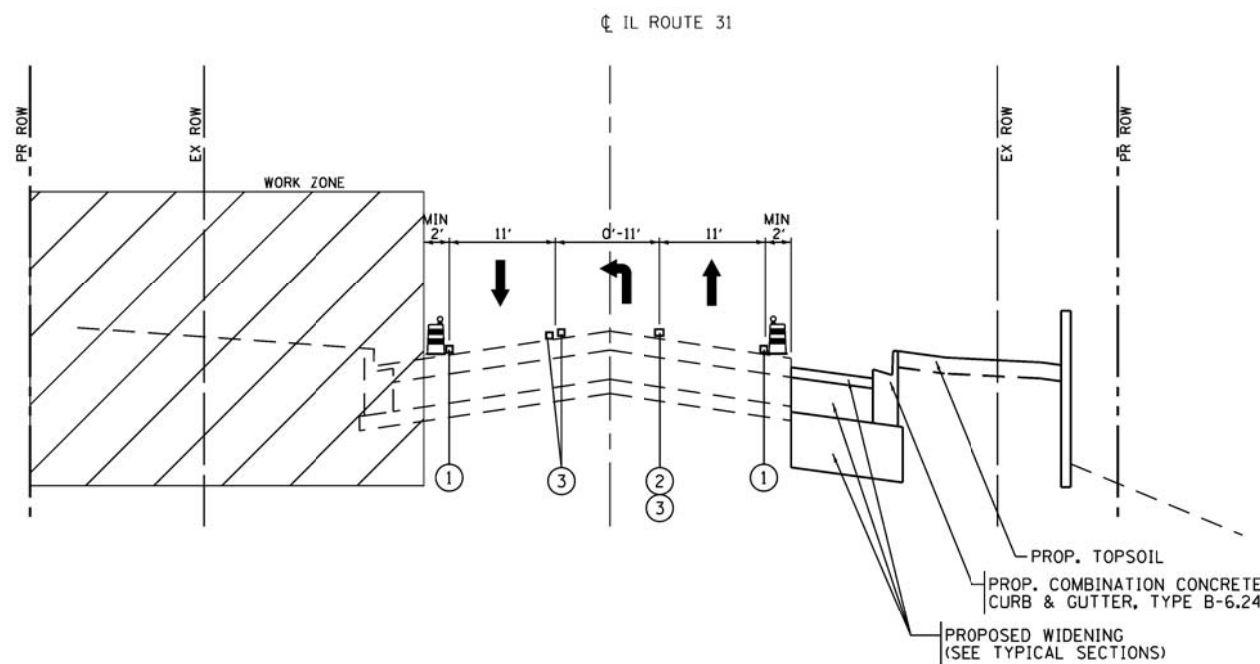


ILLINOIS ROUTE 31
 STA. 20+06.52 TO STA. 37+07.00
 PROPOSED WIDENING
 STAGE 1



ILLINOIS ROUTE 31
 STA. 23+46.39 TO STA. 34+81.54
 PROPOSED RESURFACING
 STAGE 3



ILLINOIS ROUTE 31
 STA. 18+72.00 TO STA. 39+63.00
 PROPOSED WIDENING
 STAGE 2

LEGEND

- DIRECTION OF TRAFFIC
- TYPE II BARRICADES OR DRUMS WITH STEADY BURNING LIGHTS @ 50 FT CENTERS ALONG ROADWAY TANGENTS, 25 FT CENTERS ALONG TAPERS, AND 10 FT CENTERS ALONG RADII
- ① TEMPORARY PAVEMENT MARKING - 4" (WHITE)
- ② TEMPORARY PAVEMENT MARKING - 6" (WHITE)
- ③ TEMPORARY PAVEMENT MARKING - 4" (YELLOW)
- ④ PERMANENT PAVEMENT MARKING - 4" (WHITE)
- ⑤ PERMANENT PAVEMENT MARKING - 6" (WHITE)
- ⑥ PERMANENT PAVEMENT MARKING - 4" (YELLOW)
- HOT-MIX ASPHALT SURFACE REMOVAL, SPECIAL

NOTE
 SEE PAVEMENT MARKING PLAN FOR FURTHER DETAILS ON FINAL STRIPING.

6/26/2012 8:50:48 PM
 861001961.rvt
 plot.tbl
 standard-trans.tbl

COMPANY NAME:	HRGreen.com
PROJECT CONTACT:	Bliss Professional Design Firm
DATE PLOTTED:	# 18-011322
FILE NAME:	
PLOT DRIVER:	
PEN TABLE:	

USER NAME = spernal	DESIGNED - C. HARTKE	REVISED -
	DRAWN - S. PERNAL	REVISED -
PLOT SCALE = N/A	CHECKED - T. HAMILTON	REVISED -
PLOT DATE = 6/26/2012	DATE - 6/26/12	REVISED -

STATE OF ILLINOIS
 DEPARTMENT OF TRANSPORTATION

SUGGESTED MAINTENANCE OF TRAFFIC
 TYPICAL SECTIONS

SCALE: N/A SHEET NO. 2 OF 7 SHEETS STA. TO STA.

F.A. RTE.	SECTION	COUNTY	TOTAL SHEETS	SHEET NO.
3887	AR-N-2	KANE	85	23
FED. ROAD DIST. NO.			ILLINOIS FED. AID PROJECT	
			CONTRACT NO. 60P65	