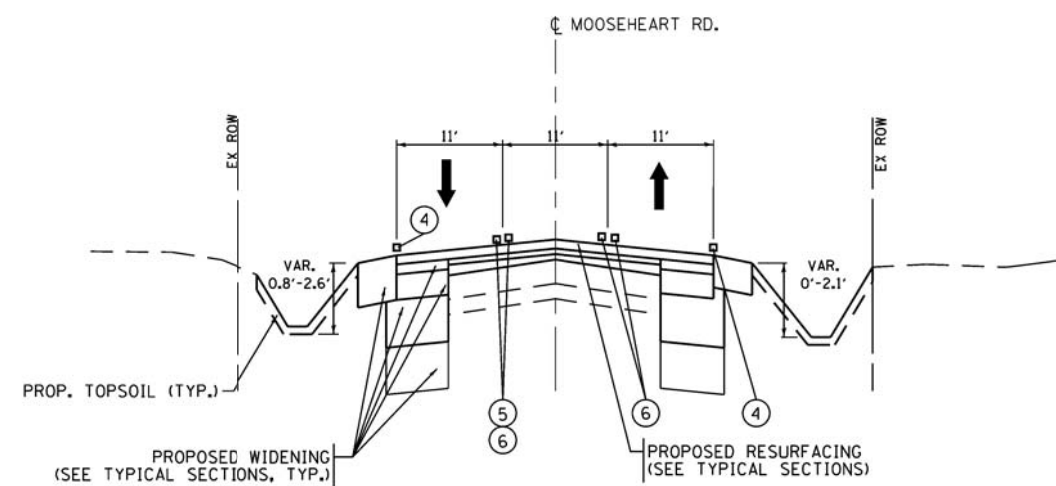
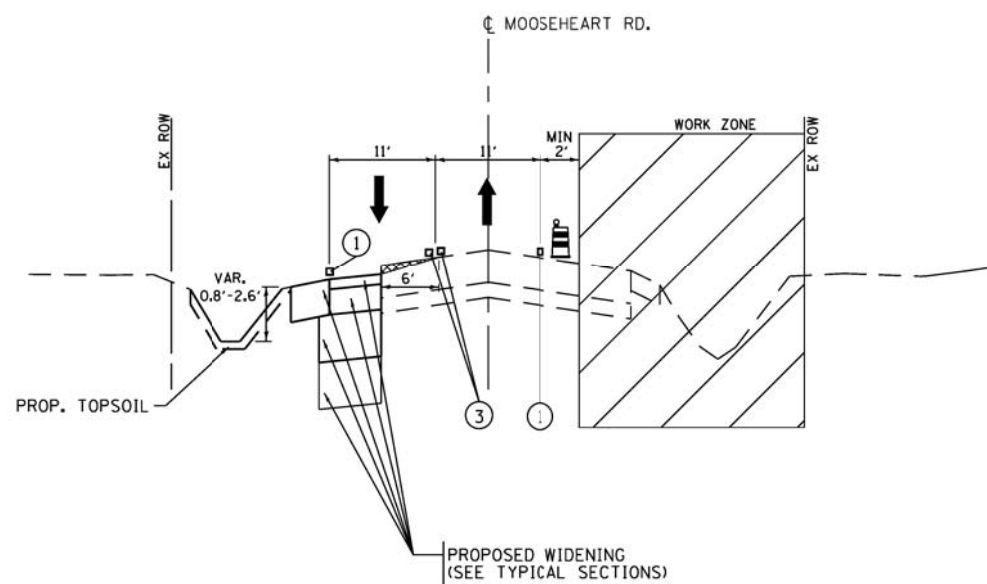


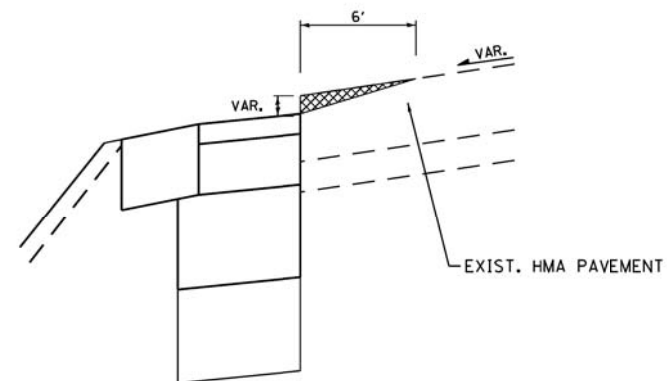
**MOOSEHEART ROAD**  
 STA. 51+25.00 TO STA. 66+01.24  
 PROPOSED WIDENING  
 STAGE 1



**MOOSEHEART ROAD**  
 STA. 54+20.00 TO STA. 66+01.24  
 PROPOSED RESURFACING  
 STAGE 3



**MOOSEHEART ROAD**  
 STA. 51+25.00 TO STA. 66+01.24  
 PROPOSED WIDENING  
 STAGE 2



**HOT-MIX ASPHALT SURFACE REMOVAL, SPECIAL**

• NOTE: THERE SHALL BE NO DROP OFF BETWEEN EXISTING AND PROPOSED PAVEMENTS. CONTRACTOR SHALL PLACE BINDER UP TO EXISTING PAVEMENT ELEVATION OR MILL EXISTING PAVEMENT TO REMOVE ANY GRADE DIFFERENTIAL.

**LEGEND**

- DIRECTION OF TRAFFIC
- TYPE II BARRICADES OR DRUMS WITH STEADY BURNING LIGHTS @ 50 FT CENTERS ALONG ROADWAY TANGENTS, 25 FT CENTERS ALONG TAPERS, AND 10 FT CENTERS ALONG RADII
- ① TEMPORARY PAVEMENT MARKING - 4" (WHITE)
- ② TEMPORARY PAVEMENT MARKING - 6" (WHITE)
- ③ TEMPORARY PAVEMENT MARKING - 4" (YELLOW)
- ④ PERMANENT PAVEMENT MARKING - 4" (WHITE)
- ⑤ PERMANENT PAVEMENT MARKING - 6" (WHITE)
- ⑥ PERMANENT PAVEMENT MARKING - 4" (YELLOW)
- HOT-MIX ASPHALT SURFACE REMOVAL, SPECIAL

**NOTE**  
 SEE PAVEMENT MARKING PLAN FOR FURTHER DETAILS ON FINAL STRIPING.

COMPANY NAME: HRGreen  
 PROJECT CONTACT: S. PERNAL  
 DATE PLOTTED: 6/26/2012 8:51:25 PM  
 FILE NAME: 8610019614-mo1gn-03.dgn  
 PLOT DRIVER: pdf.plt  
 PEN TABLE: standard-trans.tbl



USER NAME = spernal	DESIGNED - C. HARTKE	REVISED -
	DRAWN - S. PERNAL	REVISED -
PLOT SCALE = N/A	CHECKED - T. HAMILTON	REVISED -
PLOT DATE = 6/26/2012	DATE - 6/26/12	REVISED -

**STATE OF ILLINOIS**  
**DEPARTMENT OF TRANSPORTATION**

SUGGESTED MAINTENANCE OF TRAFFIC TYPICAL SECTIONS	
SCALE: N/A	SHEET NO. 3 OF 7 SHEETS
STA.	TO STA.

F.A. RTE.	SECTION	COUNTY	TOTAL SHEETS	SHEET NO.
3887	AR-N-2	KANE	85	24
FED. ROAD DIST. NO. ILLINOIS FED. AID PROJECT			CONTRACT NO. 60P65	