

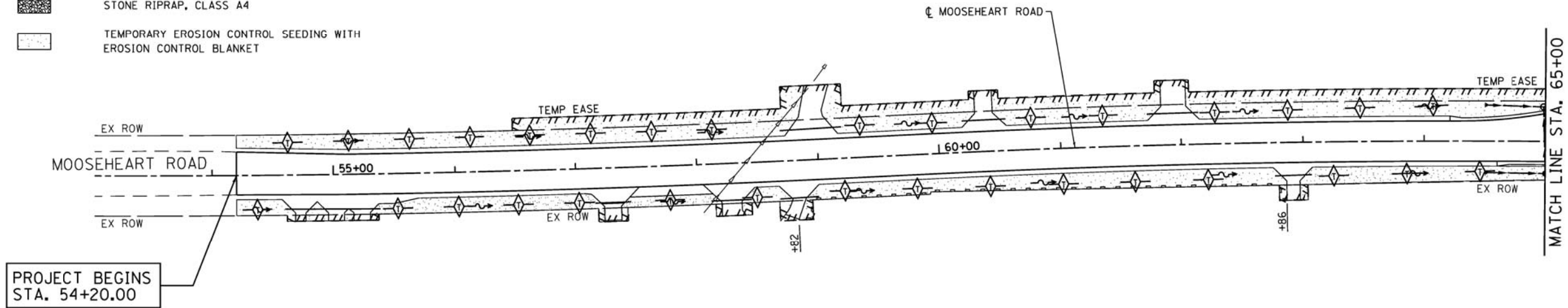
PROJECT BEGINS
STA. 23+46.39

PROJECT ENDS
STA. 34+81.54

☉ STA. 30+12.72 ILLINOIS ROUTE 31 =
☉ STA. 66+01.24 MOOSEHEART RD.

LEGEND

- PERIMETER EROSION BARRIER (FT)
- INLET FILTERS (EA)
- TEMPORARY DITCH CHECK (FT)
- STONE RIPRAP, CLASS A4
- TEMPORARY EROSION CONTROL SEEDING WITH EROSION CONTROL BLANKET



PROJECT BEGINS
STA. 54+20.00

MATCH LINE STA. 65+00



COMPANY NAME: HRGreen
 PROJECT CONTACT: S. PERNAL
 DATE PLOTTED: 6/26/2012 2:28:12 PM
 FILE NAME: 8610019614-eros.dgn
 PLOT DRIVER: paf.ctb
 PEN TABLE: standard-trans.tbl



USER NAME = spernal	DESIGNED - C. HARTKE	REVISED -
	DRAWN - S. PERNAL	REVISED -
PLOT SCALE = 1"=50'	CHECKED - T. HAMILTON	REVISED -
PLOT DATE = 6/26/2012	DATE - 6/26/12	REVISED -

**STATE OF ILLINOIS
DEPARTMENT OF TRANSPORTATION**

**EROSION CONTROL PLAN
ILLINOIS ROUTE 31 AT MOOSEHEART ROAD**

SCALE: 1"=50' SHEET NO. 1 OF 1 SHEETS STA. BEG TO STA. END

F.A. RTE.	SECTION	COUNTY	TOTAL SHEETS	SHEET NO.
3887	AR-N-2	KANE	85	29
CONTRACT NO. 60P65			ILLINOIS FED. AID PROJECT	