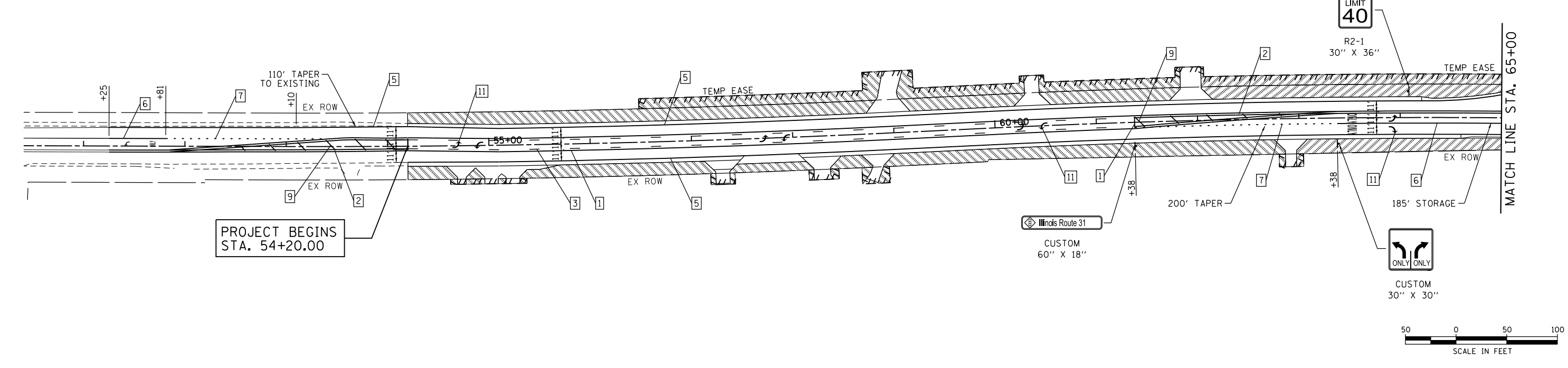


- LEGEND**
- 1 LINE 4" (YELLOW SOLID LINE)
 - 2 LINE 4" (DOUBLE YELLOW SOLID LINES)
 - 3 LINE 4" (YELLOW - 10' DASH, 30' SKIP)
 - 4 LINE 4" (WHITE LANE LINE - 10' DASH, 30' SKIP)
 - 5 LINE 4" (WHITE SOLID LINE)
 - 6 LINE 6" (WHITE SOLID LINE)
 - 7 LINE 6" (WHITE LANE LINE - 2' DASH, 6' SKIP)
 - 8 LINE 12" (WHITE DIAGONAL LINE)
 - 9 LINE 12" (YELLOW DIAGONAL LINE @ 75' OR 5 MIN.)
 - 10 LINE 24" (WHITE STOP BAR)
 - 11 LETTERS AND SYMBOLS (TYP.)
 - TOPSOIL, 4" AND SODDING, SALT TOLERANT

- NOTES:**
1. PAVEMENT MARKINGS SHALL BE THERMOPLASTIC ALONG ILLINOIS ROUTE 31.
 2. PAVEMENT MARKINGS SHALL BE URETHANE ALONG MOOSEHEART ROAD.
 3. RAISED REFLECTIVE PAVEMENT MARKERS SHALL BE USED ALONG ILLINOIS ROUTE 31. SEE DISTRICT DETAIL TC-11.
 4. RECESSED REFLECTIVE PAVEMENT MARKERS SHALL BE USED ALONG MOOSEHEART ROAD. SEE KANE COUNTY STANDARD KC781001.
 5. SEE PLAN AND PROFILES FOR TREATMENT OF EXISTING TREES TO BE REMAIN.



HRGreen.com
 Illinois Professional Design Firm
 #184-001322

USER NAME = char7ke	DESIGNED - C. HARTKE	REVISED - S. LIPKIE 7/2012
PLOT SCALE = 1"=50'	DRAWN - S. PERNAL	REVISED -
PLOT DATE = 7/25/2012	CHECKED - T. HAMILTON	REVISED -
	DATE - 7/2012	REVISED -

STATE OF ILLINOIS
DEPARTMENT OF TRANSPORTATION

PAVEMENT MARKING, SIGNING, AND RESTORATION PLAN PLAN
ILLINOIS ROUTE 31 AT MOOSEHEART ROAD

SCALE: 1"=50' SHEET NO. 1 OF 1 SHEETS STA. BEG TO STA. END

F.A. RTE. 3887	SECTION AR-N-2	COUNTY KANE	TOTAL SHEETS 85	SHEET NO. 44
CONTRACT NO. 60P65			ILLINOIS FED. AID PROJECT	

COMPANY NAME: HRGreen
 PROJECT CONTACT: HRGreen.com
 DATE PLOTTED: 7/25/2012 10:11:40 AM
 FILE NAME: 86100196_14-pm.dgn
 PLOT DRIVER: pdcfplot
 PEN TABLE: standard-trans.tbl
 86100196_14-pm.dgn