

**HEADWALL
BILL OF MATERIAL**

Bar	No.	Size	Length	Shape
d (E)	16	#6	3'-9"	┌
h	14	#4	14'-8"	—
h _h	4	#4	5'-0"	—
t	19	#5	5'-2"	—
t _i	16	#5	5'-2"	—
u	4	#4	10'-10"	┌
u _u	2	#4	8'-4"	└
v	16	#5	6'-8"	—
v _i	11	#5	6'-8"	—
w	12	#5	14'-8"	—
Concrete Structures			Cu. Yd.	7.4
Reinforcement Bars			Pound	750
Reinforcement Bars, Epoxy Coated			Pound	90
Geocomposite Wall Drain			Sq. Yd.	16

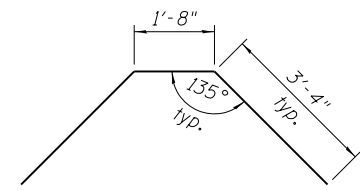
* Trim bars around openings to fit

**BARRIER
BILL OF MATERIAL**

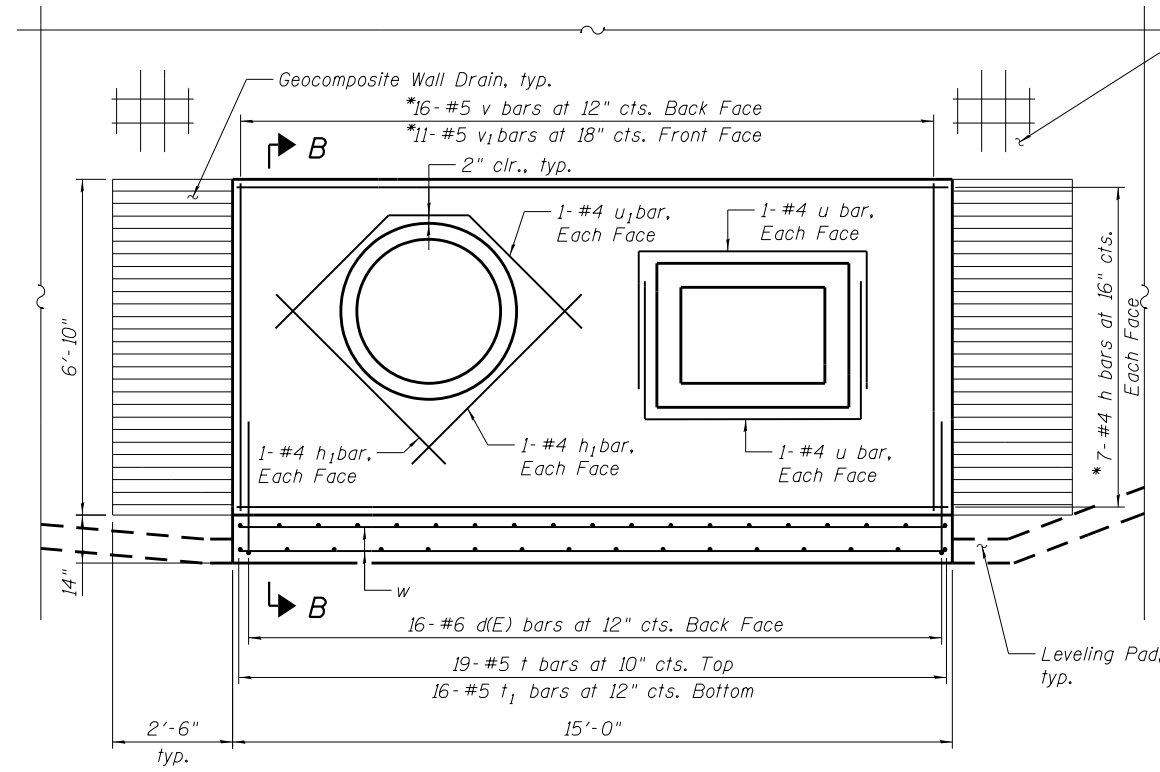
Bar quantities for one segment

Bar	No.	Size	Length	Shape	Total No.	
a (E)	29	#5	7'-11"	┌	406	
a _i (E)	29	#5	6'-10"	└	406	
b (E)	17	#5	27'-8"	—	238	
d ₁ (E)	58	#6	5'-1"	┌	812	
d ₂ (E)	8	#4	2'-6"	┌	112	
e (E)	8	#4	27'-8"	—	112	
					Total for One Segment	Total for All Segments
Concrete Superstructure			Cu. Yd.	11.5	161.0	
Reinforcement Bars, Epoxy Coated			Pound	1,540	21,560	
Protective Coat			Sq. Yd.	29	406	

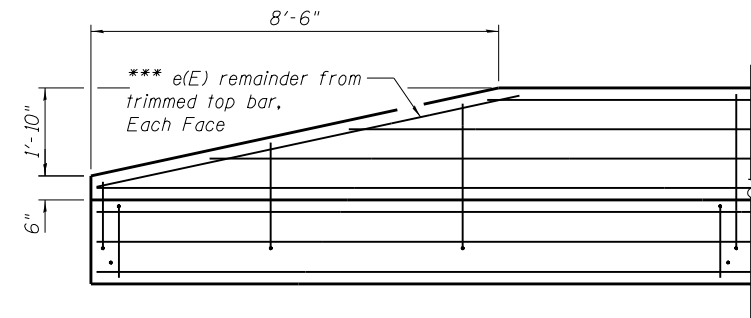
** b(E), and d₁(E) bars may be trimmed to fit.
*** e(E) bar to be trimmed at end barrier. Use remainder in tapered end.



u₁(E) BAR

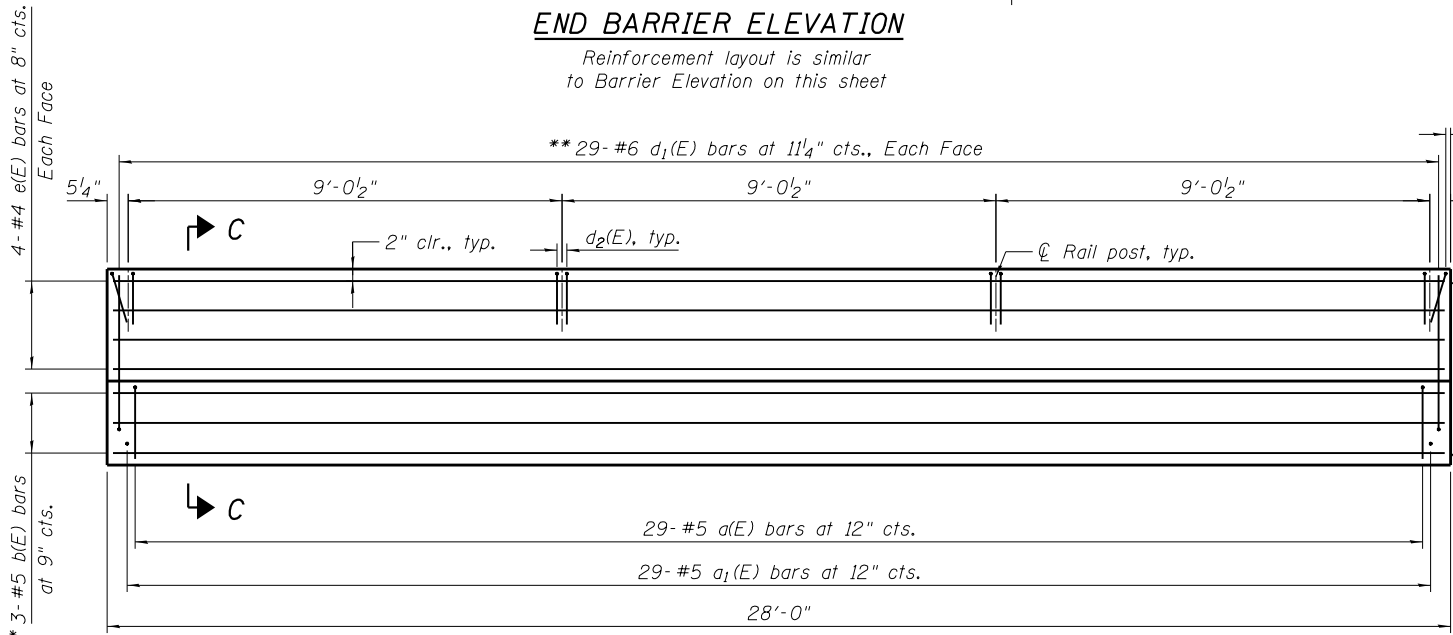


HEADWALL ELEVATION



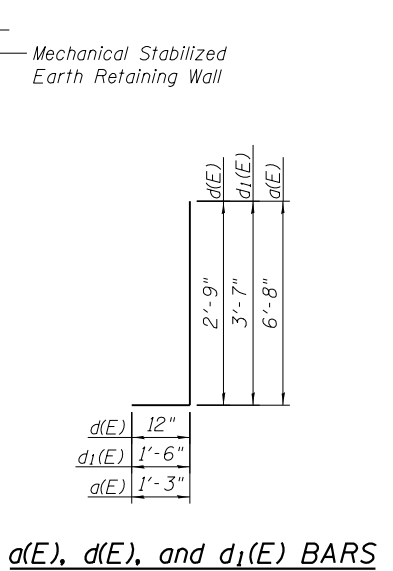
END BARRIER ELEVATION

Reinforcement layout is similar to Barrier Elevation on this sheet



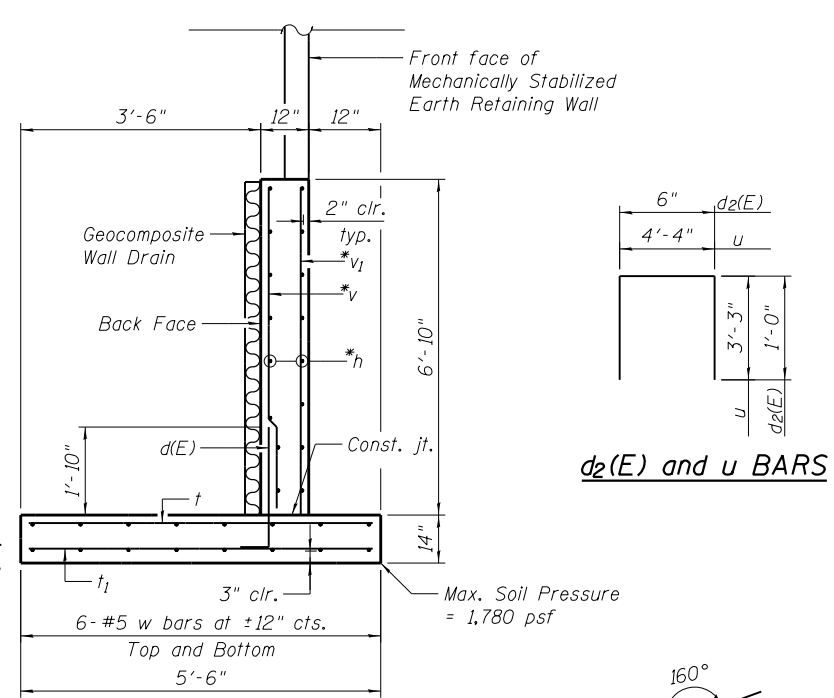
BARRIER ELEVATION

Shown for one segment, Total segments = 14
All concrete edges shall have a 3/4" chamfer

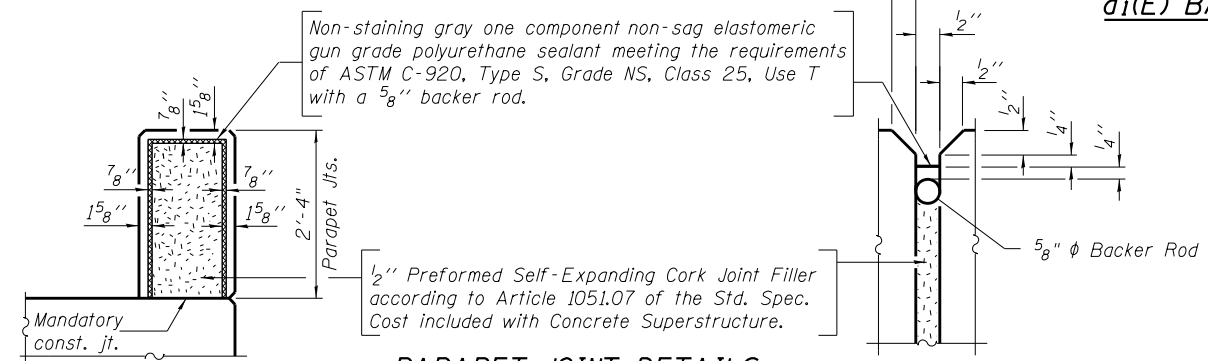


SECTION B-B

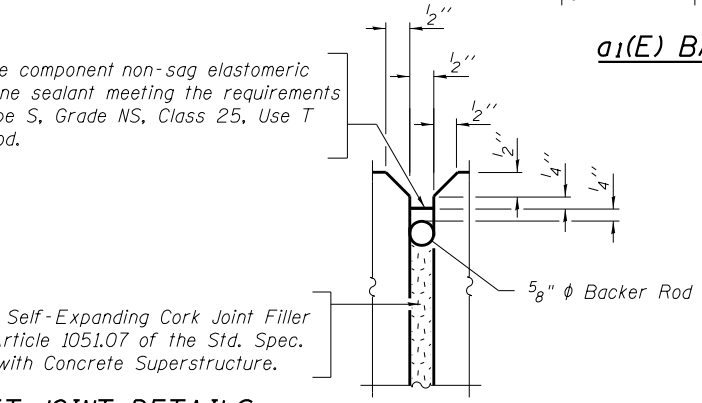
a(E), d(E), and d₁(E) BARS



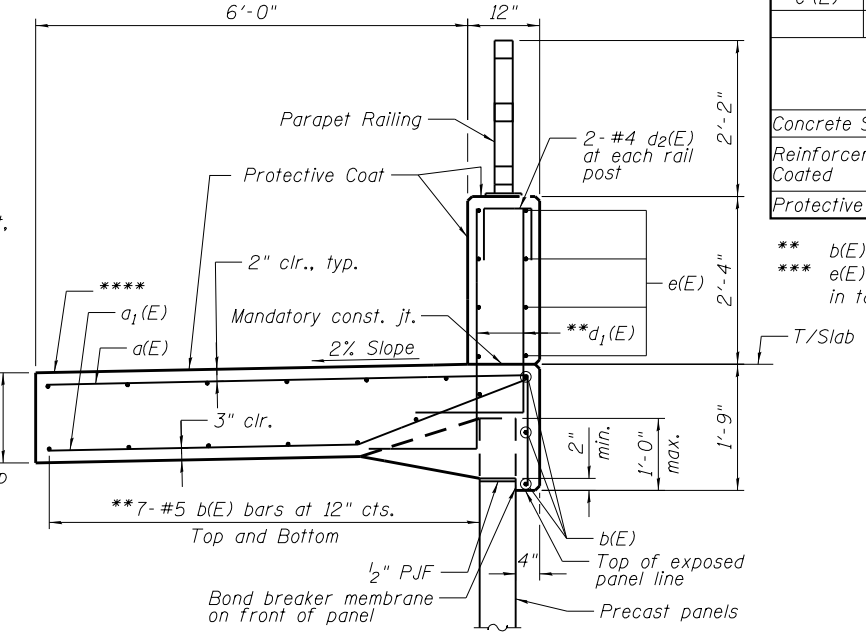
d₂(E) and u BARS



PARAPET JOINT DETAILS



a₁(E) BAR



SECTION C-C

**** Contraction joints in anchorage slab shall be located at parapet joints

COMPANY NAME: HRGreen
PROJECT CONTACT: HRGreen.com
DATE PLOTTED: 8/1/2012 5:04:23 PM
FILE NAME: 86100196-14-Wall-01.dgn
PLOT DRIVER: pdfcut
PEN TABLE: Struct.tbl



USER NAME = whood	DESIGNED - M. HARDING	REVISED - M. HARDING	8/3/2012
	CHECKED - R. DAVIES	REVISED	
PLOT SCALE =	DRAWN - W. HOOD	REVISED	
PLOT DATE = 8/1/2012	CHECKED -	REVISED	

**STATE OF ILLINOIS
DEPARTMENT OF TRANSPORTATION**

**CONCRETE DETAILS
STRUCTURE NO. 045-W015**

SHEET NO. S-3 OF S-5 SHEETS

F.A. RTE. 3887	SECTION AR-N-2	COUNTY KANE	TOTAL SHEETS 85	SHEET NO. 47
CONTRACT NO. 60P65			ILLINOIS FED. AID PROJECT	