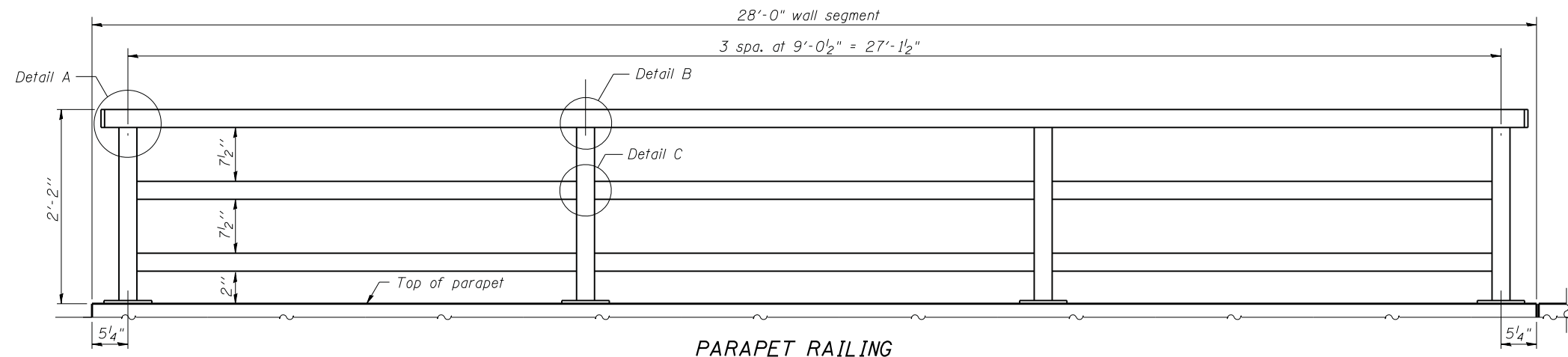
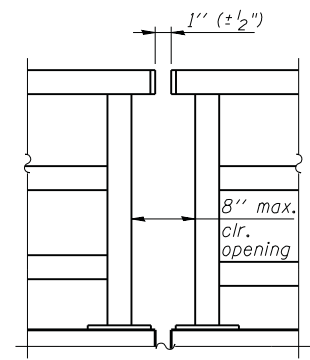


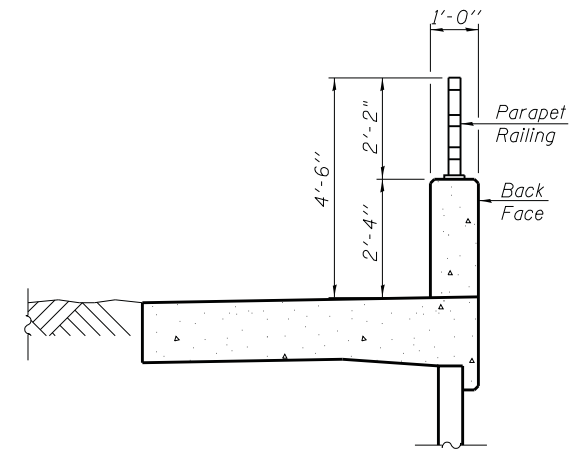
Notes:
All steel rail elements shall be galvanized according to Article 509.05 of the Standard Specifications.



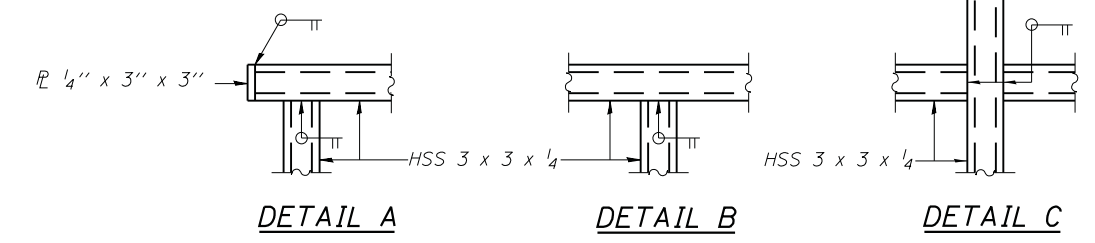
**PARAPET RAILING
ELEVATION**
(Inside Face of Three Element Rail)
(End Treatment is similar with 2 spa. at 9'-0 1/2" = 18'-1")



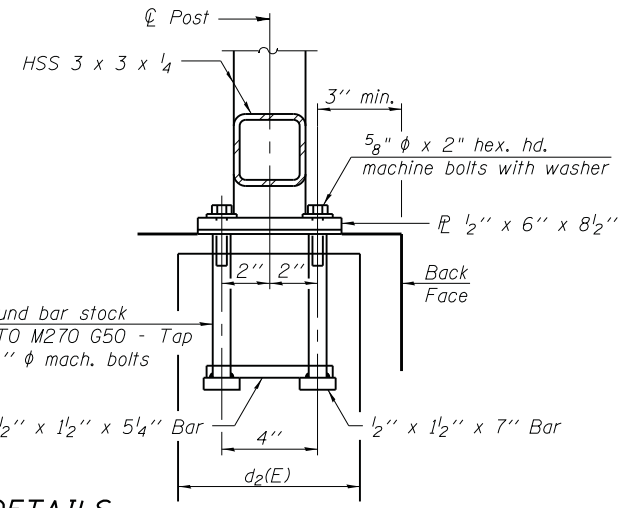
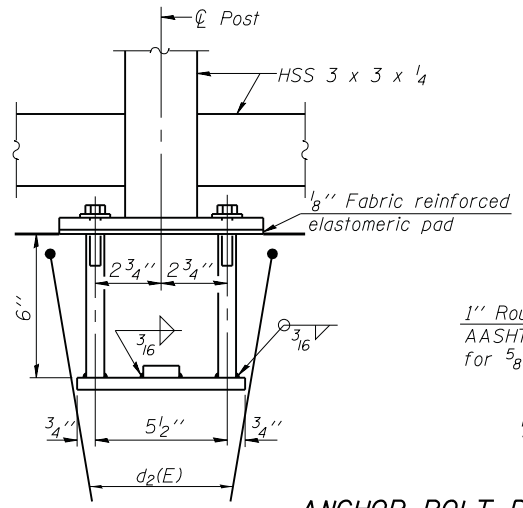
**PARAPET RAILING
ELEVATION AT JOINT
BETWEEN SEGMENTS**



SECTION THRU PARAPET

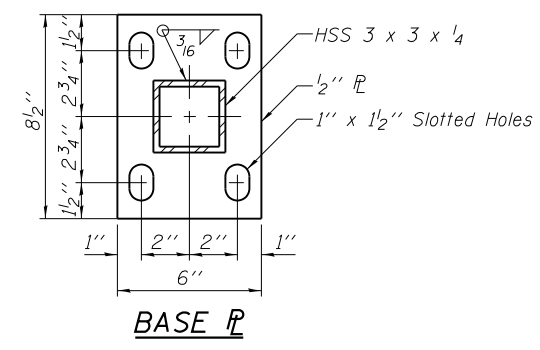


DETAIL A DETAIL B DETAIL C



ANCHOR BOLT DETAILS

In lieu of the cast-in-place anchor device shown, the Contractor has the option of drilling and setting 5/8" ϕ anchor rods according to Article 509.06 of the Standard Specifications. Embedment shall be according to the manufacturer's specifications.



BASE PL

BILL OF MATERIAL

Item	Unit	Quantity
Parapet Railing	Foot	375

COMPANY NAME: HRGreen
PROJECT CONTACT: HRGreen.com
DATE PLOTTED: 6/21/2012 4:19:55 PM
FILE NAME: 0610019614-Wall-01.dgn
PLOT DRIVER: pdfcut
PEN TABLE: Struct 11x17.tbl



USER NAME = whood	DESIGNED - M. HARDING	REVISED
	CHECKED - R. DAVIES	REVISED
PLOT SCALE =	DRAWN - W. HOOD	REVISED
PLOT DATE = 6/21/2012	CHECKED -	REVISED

**STATE OF ILLINOIS
DEPARTMENT OF TRANSPORTATION**

**PARAPET RAILING
STRUCTURE NO. 045-W015**

SHEET NO. S-4 OF S-5 SHEETS

F.A. RTE.	SECTION	COUNTY	TOTAL SHEETS	SHEET NO.
3887	AR-N-2	KANE	85	48
				CONTRACT NO. 60P65
ILLINOIS FED. AID PROJECT				