

INDEX OF SHEETS

SHEET NO.	DESCRIPTION
1	TITLE SHEET
2	INDEX OF SHEETS, STATE STANDARDS, AND GENERAL NOTES
3	SUMMARY OF QUANTITIES
4	TYPICAL SECTIONS
5	ALIGNMENT, TIES AND BENCHMARKS PLAN
6	SIGNING PLAN
7-8	EXISTING AND PROPOSED ROADWAY PLANS
9-10	EXISTING AND PROPOSED DRAINAGE PLANS
11	ARTERIAL ROAD INFORMATION SIGN (TC-22)
12	DRIVEWAY ENTRANCE SIGNING (TC-26)

STATE STANDARDS

STANDARD NO.	DESCRIPTION
602301 - 03	INLET - TYPE A
604006 - 04	FRAME AND GRATE TYPE 3
606001 - 04	CONCRETE CURB TYPE B AND COMBINATION CONCRETE CURB AND GUTTER
630001 - 10	STEEL PLATE BEAM GUARDRAIL
630301 - 05	SHOULDER WIDENING FOR TYPE (SPECIAL) GUARDRAIL TERMINAL
635006 - 03	REFLECTOR AND TERMINAL MARKER PLACEMENT
664001 - 02	CHAIN LINK FENCE
701301 - 04	LANE CLOSURE, 2L, 2W, SHORT TIME OPERATIONS
701501 - 06	URBAN LANE CLOSURE, 2L, 2W, UNDIVIDED
701901 - 02	TRAFFIC CONTROL DEVICES
720001 - 01	SIGN PANEL MOUNTING DETAILS

701101 - 02
 701601 - 07
 701602 - 05
 701606 - 08
 701701 - 08

GENERAL NOTES:

BEFORE STARTING ANY EXCAVATION, THE CONTRACTOR SHALL CALL "J.U.L.I.E." AT (800) 892-0123 OR 811 FOR FIELD LOCATIONS OF BURIED ELECTRIC, TELEPHONE AND GAS UTILITIES. 48 HOUR NOTIFICATION IS REQUIRED.

TEN (10) FOOT TRANSITIONS SHALL BE USED TO MATCH PROPOSED CURB AND GUTTER AND MEDIAN ITEMS OF WORK TO EXISTING CURBS AND GUTTER AND MEDIANS IN THE FIELD, UNLESS OTHERWISE SHOWN. THE TRANSITIONS SHALL BE PAID FOR AT THE CONTRACT UNIT PRICE FOR THE PROPOSED ITEMS OF WORK SPECIFIED.

THE CONTRACTOR SHALL COORDINATE CONSTRUCTION ACTIVITIES WITH UTILITY COMPANIES AND THE VILLAGES OF HODGKINS AND MCCOOK.

THE CONTRACTOR WILL NOT BE ALLOWED TO SET UP A YARD OR FIELD OFFICE ON STATE PROPERTY WITHOUT WRITTEN PERMISSION FROM THE DEPARTMENT.

THE REMOVAL OF GUARDRAIL TERMINAL SECTIONS SHALL BE INCLUDED IN THE UNIT PRICE PER FOOT FOR "GUARDRAIL REMOVAL."

ALL DAMAGE TO EXISTING PAVEMENT MARKINGS OR RAISED REFLECTIVE PAVEMENT MARKERS OUTSIDE THE REMOVAL LINE SHOWN ON THE PLANS SHALL BE REPLACED AT NO ADDITIONAL COST TO THE DEPARTMENT.

BEFORE BEGINNING ANY WORK, THE CONTRACTOR SHALL RETAIN AND RECORD FOR FUTURE REFERENCE, ALL EXISTING PAVEMENT MARKING LINES (AND RAISED REFLECTIVE PAVEMENT MARKERS) IN ORDER THAT THESE LOCATIONS CAN BE RE-ESTABLISHED FOR STRIPING. EXACT LOCATIONS OF ALL PAVEMENT MARKINGS SHALL BE AS DIRECTED BY THE ENGINEER.

IT SHALL BE THE CONTRACTOR'S RESPONSIBILITY TO VERIFY ALL DIMENSIONS AND CONDITIONS EXISTING IN THE FIELD PRIOR TO CONSTRUCTION AND ORDERING OF MATERIALS.

THE CONTRACTOR SHALL CONTACT THE DISTRICT ONE TRAFFIC CONTROL SUPERVISOR AT (847)705-4470 A MINIMUM OF 72 HOURS IN ADVANCE OF BEGINNING WORK.

THESE PLANS HAVE BEEN PREPARED FROM NOTES RECEIVED FROM THE BUREAUS OF MAINTENANCE AND CONSTRUCTION.

THE THICKNESS OF THE HMA MIXTURE SHOWN ON THE PLANS IS THE NOMINAL THICKNESS. DEVIATIONS FROM THE NOMINAL THICKNESS WILL BE PERMITTED WHEN SUCH DEVIATIONS OCCUR DUE TO IRREGULARITIES IN THE EXISTING SURFACE OR BASE ON WHICH THE HMA MIXTURE IS PLACED.

THE CONTRACTOR SHALL BE REQUIRED TO PROVIDE ACCESS TO ABUTTING PROPERTY AT ALL TIMES DURING THE CONSTRUCTION OF THIS PROJECT.

FOR FRAMES AND LIDS ADJUSTMENT WITHOUT MILLING, REUSE EXISTING FRAME AND LID UNLESS OTHERWISE SPECIFIED IN THE PLANS.

DO NOT SCALE PLANS FOR CONSTRUCTION DIMENSIONS.

THE CONTRACTOR SHALL VERIFY THE EXISTING TYPE/HEIGHT OF EXISTING GUARDRAIL BEFORE ORDERING THE NEW TERMINAL SECTION. COST INCLUDED WITH THE COST OF THE TERMINAL. THE TERMINAL SECTION SHALL MATCH THE HEIGHT OF THE EXISTING GUARDRAIL.

THE CONTRACTOR SHALL SALVAGE AND RETURN THE EXISTING DETOUR SIGNS, TRAFFIC BARRICADES, GUARDRAIL, AND BARRIER WALLS TO:

SOUTH SIDE SIGN SHOP
 CONTACT: FRANK VITAGLIANO (708) 544-9372

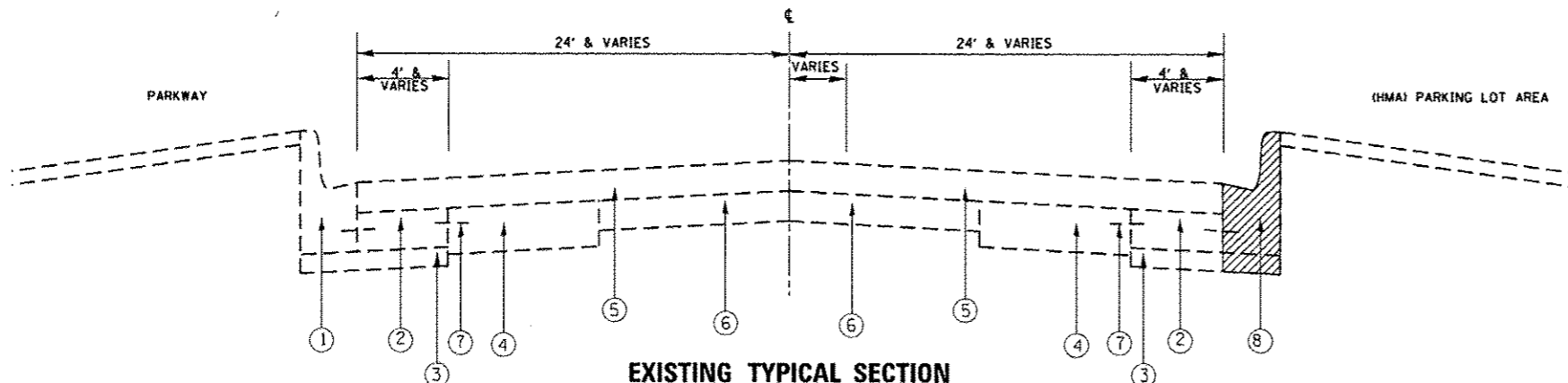
THIS WORK SHALL INCLUDE REMOVING, TRANSPORTING, AND UNLOADING THE EXISTING SIGNS TO THE ABOVE YARD, WHICH COST IS INCLUDED IN THE COST OF "REMOVE EXISTING SIGN PANEL."

Rev. 10-25-12

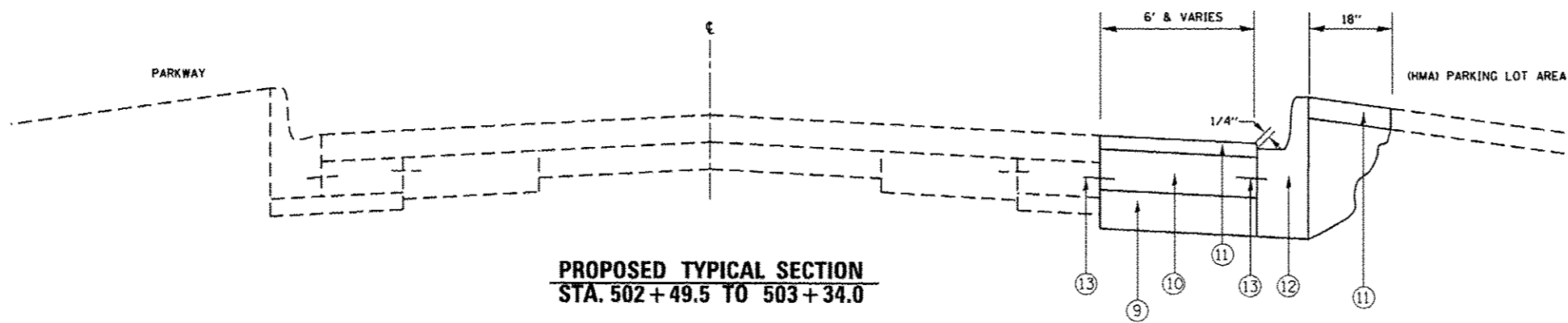
FILE NAME =	USER NAME = wmdat	DESIGNED -	REVISED -	STATE OF ILLINOIS	JOLIET RD EAST OF LENZI AVE INDEX OF SHEETS, STATE STANDARDS, AND GENERAL NOTES	F.A.P. RTE.	SECTION	COUNTY	TOTAL SHEETS	SHEET NO.	
c:\pwork\pwork\wmdat\0254803\PI359	shy-gennote.dgn	DRAWN -	REVISED -			3562	430Y-N	COOK	12	2	
	PLOT SCALE = 1/8" = 1' / in.	CHECKED -	REVISED -			SHEET OF SHEETS STA. TO STA.		CONTRACT NO. 60T48			
	PLOT DATE = 8/24/2012	DATE -	REVISED -			ILLINOIS FED. AID PROJECT					

SUMMARY OF QUANTITIES				URBAN 100% STATE CONSTRUCTION TYPE CODE				
CODE NO	ITEM	UNIT	TOTAL QUANTITIES	0021				
35400450	PORTLAND CEMENT CONCRETE BASE COURSE WIDENING 9-1/2"	SO YD	✓ 64	64				
20800150	TRENCH BACKFILL	CU YD	✓ 0.8	0.8				
30300112	AGGREGATE SUBGRATE IMPROVEMENT 12"	SO YD	✓ 64	64				
40603085	HOT-MIX ASPHALT BINDER COURSE, IL-19.0, N70	TON	60	60				
40603340	HOT-MIX ASPHALT SURFACE COURSE, MIX "D", N70	TON	75	75				
44000100	PAVEMENT REMOVAL	SO YD	99	99				
44000500	COMBINATION CURB AND GUTTER REMOVAL	FOOT	76	76				
44001980	CONCRETE BARRIER REMOVAL	FOOT	20	20				
550A0050	STORM SEWERS, CLASS A, TYPE 1 12"	FOOT	6	6				
60235700	INLETS, TYPE A, TYPE 3 FRAME AND GRATE	EACH	1	1				
60605000	COMBINATION CONCRETE CURB AND GUTTER, TYPE B-6, 24	FOOT	125	125				
60610400	COMBINATION CONCRETE CURB AND GUTTER, TYPE M-6, 24	FOOT	116	116				
* 63000001	STEEL PLATE BEAM GUARDRAIL, TYPE A, 6 FOOT POSTS	FOOT	60	60				
* 63100085	TRAFFIC BARRIER TERMINAL, TYPE 6	EACH	1	1				
* 63100167	TRAFFIC BARRIER TERMINAL, TYPE 1 (SPECIAL) TANGENT	EACH	1	1				

SUMMARY OF QUANTITIES				URBAN 100% STATE CONSTRUCTION TYPE CODE				
CODE NO	ITEM	UNIT	TOTAL QUANTITIES	0021				
63200310	GUARDRAIL REMOVAL	FOOT	53	53				
66400505	CHAIN LINK FENCE, 8'	FOOT	83	83				
66409400	CHAIN LINK GATES, 8' X 12' DOUBLE	EACH	1	1				
67100100	MOBILIZATION	L SUM	1	1				
70102620	TRAFFIC CONTROL AND PROTECTION, STANDARD 701501	L SUM	1	1				⚠
* 72000100	SIGN PANEL - TYPE 1	SO FT	92	92				
* 78200410	GUARDRAIL MARKER, TYPE A	EACH	6	6				
* 78201000	TERMINAL MARKER - DIRECT APPLIED	EACH	1	1				
70102630	TRAFFIC CONTROL AND PROTECTION, STANDARD 701601	L SUM	1	1				⚠
X0325207	TELEVISION INSPECTION OF SEWER	FOOT	9251	9251				
70102625	TRAFFIC CONTROL AND PROTECTION, STANDARD 701606	L SUM	1	1				⚠
X4401198	HOT-MIX ASPHALT SURFACE REMOVAL, VARIABLE DEPTH	SO YD	469	469				
70102632	TRAFFIC CONTROL AND PROTECTION, STANDARD 701602	L SUM	1	1				⚠
X5537800	STORM SEWERS TO BE CLEANED 12"	FOOT	1537	1537				
70102635	TRAFFIC CONTROL AND PROTECTION, STANDARD 701701	L SUM	1	1				⚠
X5537900	STORM SEWERS TO BE CLEANED 15"	FOOT	1611	1611				
X5538000	STORM SEWERS TO BE CLEANED 18"	FOOT	1112	1112				
X5538200	STORM SEWERS TO BE CLEANED 24"	FOOT	290	290				
X7240195	REMOVE EXISTING SIGN PANEL	EACH	45	45				
Z0013798	CONSTRUCTION LAYOUT	L SUM	1	1				
Z0018500	DRAINAGE STRUCTURES TO BE CLEANED	EACH	1	1				
Z0030850	TEMPORARY INFORMATION SIGNING	SO FT	51.4	51.4				
	* Specialty Items							⚠



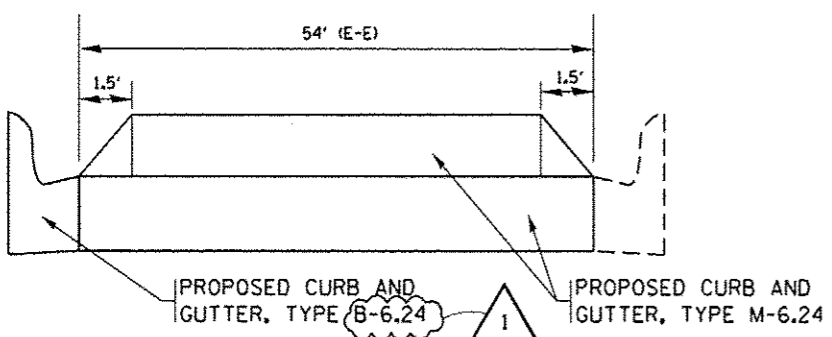
EXISTING TYPICAL SECTION
STA. 502+49.5 TO 503+34.0



PROPOSED TYPICAL SECTION
STA. 502+49.5 TO 503+34.0

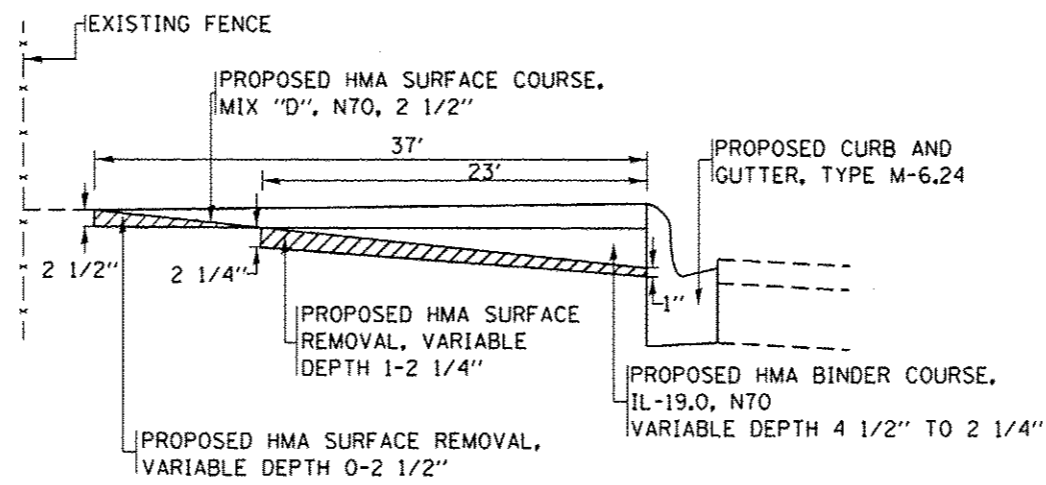
LEGEND

- ① EXISTING CURB AND GUTTER, TYPE B-6.24
- ② EXISTING PCC BASE COARSE, WIDENING, 9"
- ③ EXISTING GRANULAR SUBBASE, 6"
- ④ EXISTING PCC PAVEMENT, 9"
- ⑤ EXISTING HMA OVERLAY, 5"
- ⑥ EXISTING PCC PAVEMENT, 7"
- ⑦ EXISTING TIE BAR
- ⑧ PROPOSED CURB AND GUTTER REMOVAL
- ⑨ PROPOSED AGGREGATE SUBGRADE IMPROVEMENT, 12"
- ⑩ PROPOSED PCC BASE COURSE, WIDENING, 9 1/2"
- ⑪ PROPOSED HMA SURFACE COURSE, MIX "D", N70, 2 1/2"
- ⑫ PROPOSED COMBINATION CONCRETE CURB AND GUTTER, TYPE B-6.24
- ⑬ PROPOSED DRILL & GROUT (#6) EPOXY COATED DEFORMED STEEL TIE BAR, 24" LONG, 24" C-C - COST INCLUDED IN PCC BASE COURSE, 9 1/2"



SECTION B-B

SEE EXISTING AND PROPOSED ROADWAY PLAN SHEETS



SECTION A-A

SEE EXISTING AND PROPOSED ROADWAY PLAN SHEETS

MIXTURE REQUIREMENTS	
MIXTURE USES	VOIDS AT Ndes
HMA SURFACE COURSE, MIX "D", N70 (IL 9.5mm)	4% AT 70 GYR.
HMA BINDER COURSE, IL-19.0, N70	4% AT 70 GYR.

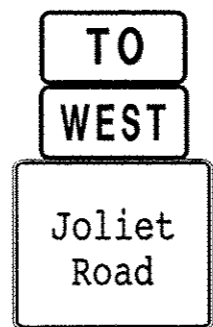
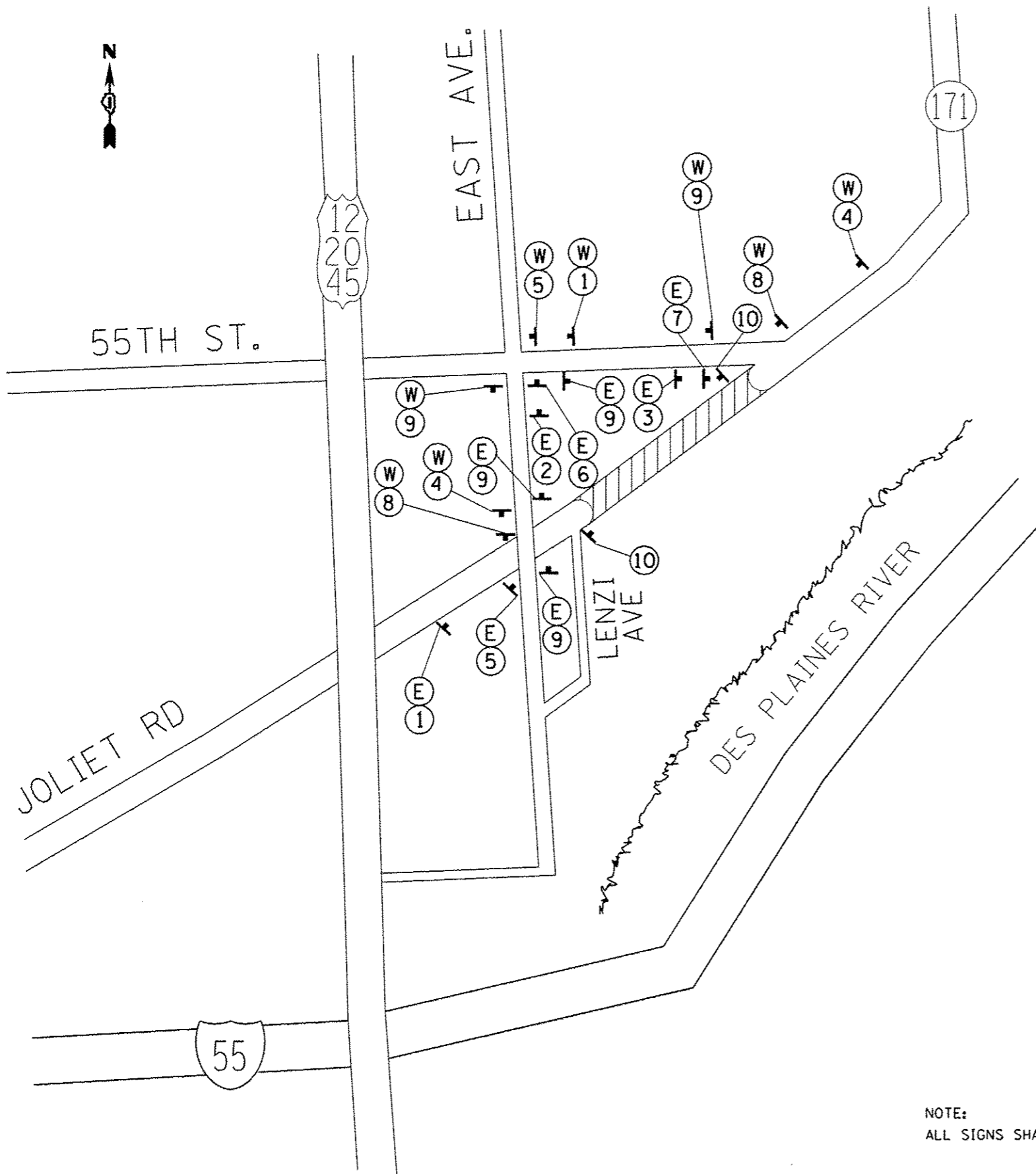
NOTE 1: THE UNIT WEIGHT USED TO CALCULATE ALL HOT-MIX ASPHALT SURFACE MIXTURE IS 112 LBS/SQYD IN

NOTE 2: THE "AC TYPE" FOR POLYMERIZED HMA SHALL BE "SBS/SBR PG 76-22" AND FOR NON-POLYMERIZED HMA THE "AC TYPE" SHALL BE "PG 64-22" UNLESS MODIFIED BY DISTRICT ONE SPECIAL PROVISIONS. "FOR USE OF RECYCLED MATERIALS SEE SPECIAL PROVISIONS".

① REVISED 10/22/2012. AH

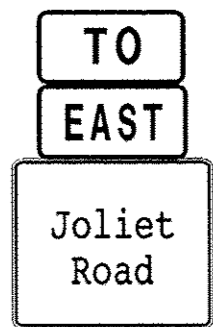
① "FOR USE OF RECYCLED MATERIALS SEE SPECIAL PROVISIONS".

FILE NAME *	USER NAME * hamdanah	DESIGNED -	REVISED -	STATE OF ILLINOIS DEPARTMENT OF TRANSPORTATION	JOLIET RD EAST OF LENZI AVE TYPICAL SECTIONS	F.A.P. RTE.	SECTION	COUNTY	TOTAL SHEET NO.
cd:\pr-work\pav\dot\hamdanah\d8254883\PI35911-ah-t-genote.dgn	DRAWN -	REVISED -	3562			430Y-N	COOK	12	4
PLOT SCALE * 100.0000' / 1" =	CHECKED -	REVISED -	CONTRACT NO. 60T48						
PLOT DATE * 10/22/2012	DATE -	REVISED -	ILLINOIS FED. AID PROJECT						



W

M4-5-2412
24" X 12"
M3-4
24" X 12"



E

M4-5-2412
24" X 12"
M3-2
24" X 12"



M5-1
21" X 15"



M5-1
21" X 15"



M5-2
21" X 15"



M5-2
21" X 15"



M6-1
21" X 15"



M6-1
21" X 15"



M6-2
21" X 15"



M6-2
21" X 15"



M6-3
21" X 15"



W14-1
36" X 36"

NOTE:
ALL SIGNS SHALL BE WHITE ON GREEN, WITH THE EXCEPTION OF "DEAD END," WHICH SHALL BE BLACK ON YELLOW.

1 REVISED SHEET 10/22/2012, AH

FILE NAME *	USER NAME * handanah	DESIGNED -	REVISED -	STATE OF ILLINOIS DEPARTMENT OF TRANSPORTATION	JOLIET RD EAST OF LENZI AVE PERMANENT DETOUR SIGNING PLAN	F.A.P. RTE.	SECTION	COUNTY	TOTAL SHEETS	SHEET NO.	
er:\pr_work\pvidat\handanah\10254803\PI25911-eh1-gennote.dgn		DRAWN -	REVISED -			3562	430Y-N	COOK	12	6	
PLOT SCALE * 100.0000' / in.		CHECKED -	REVISED -			CONTRACT NO. 60T48					
Default	PLOT DATE * 10/25/2012	DATE -	REVISED -			ILLINOIS FED. AID PROJECT					